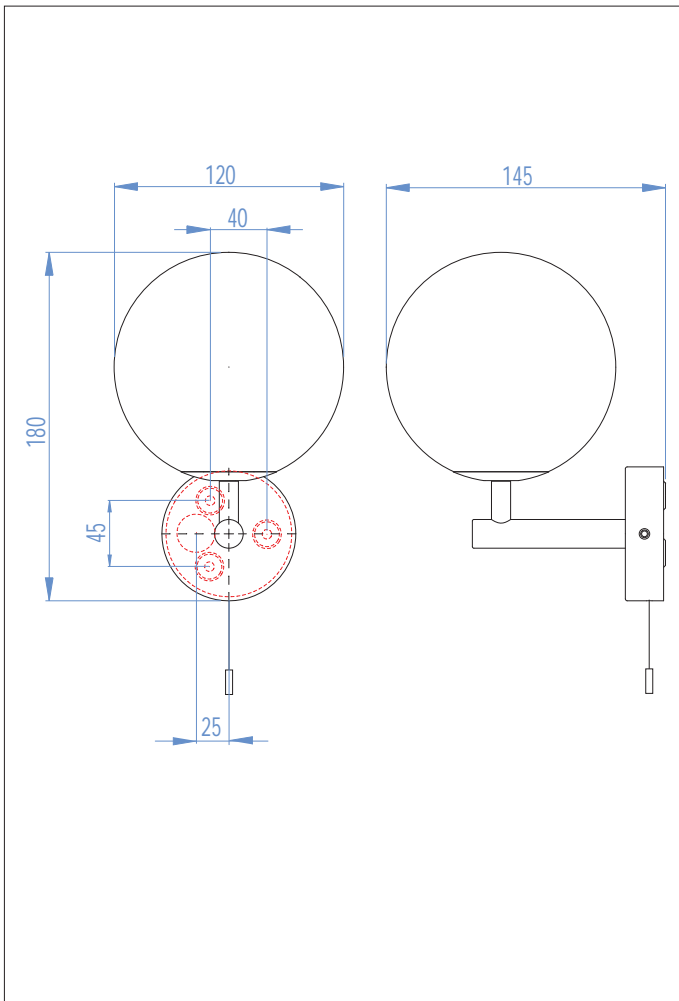
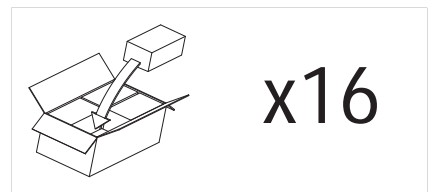
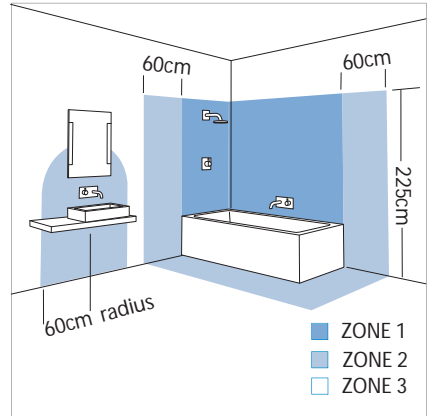


# California IP44 Wall Light, AX0304



1 x 40w G9		included
---------------	--	----------

Zones	<b>2</b>	<b>3</b>
-------	----------	----------



## Sparks Electrical Wholesalers Ltd

659-661 Holloway Road  
London N19 5SE  
Tel: 020 7263 8007  
www.sparksdirect.co.uk

### Specifications

Model: AX0304  
Style: Modern  
Energy type: Mains Voltage 240V  
Wattage: 40 W  
Lamp type: Capsule Lamp 240v  
Lamp base: G9  
IP Rating: IP44  
Task: Wall  
Overall Diameter: 120 mm  
Projection: 145 mm  
Height: 180 mm