

Cleaning:

- > Clean this light fitting with a soft dry cloth

Lamp replacement:

BLG9CCR & BLG9DTCR

- > Switch off the electricity at the mains.
- > Unscrew the glass shade,
- > Pull the old lamp out of the fitting (do not twist) and replace. When fitting the new lamp, grip using a soft clean cloth, do not touch the lamp with your bare fingers.
- > Screw the glass shade onto the fitting making the silicone gasket is in place.
- > Restore the power and switch on.

BLG9TCR

- > Switch off the electricity at the mains.
- > Pull off the glass shade.
- > Pull the old lamp out of the fitting (do not twist) and replace. When fitting the new lamp, grip using a soft clean cloth, do not touch the lamp with your bare fingers.
- > Push the glass shade back onto the fitting making sure the silicone gasket is in place.
- > Restore the power and switch on.

Replacement lamp type:

Wattage: 40W max
Supply Voltage: 240V
Type: G9

If you experience problems:

If your light is defective or develops a fault, please return it to the place where you bought it. You can call our Helpline for advice. The Helpline will gladly give advice on any aspect of any Eterna Lighting product but may not be able to give specific instructions regarding individual installations.

If in doubt, consult a qualified electrician.

Help line:

Tel: 01933 673 144 Fax: 01933 678 083 Email: sales@eterna-lighting.co.uk
For answers to frequently asked questions (FAQs) and other information visit our web-site
www.eterna-lighting.co.uk



IMPORTANT !

Safety and Installation instructions

Callisto / Emilia / Carmina Bathroom Wall Light

Model(s)
BLG9CCR, BLG9DTCR, BLG9TCR

Pack contents:

Bathroom wall light	1
Opal glass shade	1
Screws	2
Wall plugs	2
40W G9 lamp	1

**PLEASE READ THESE INSTRUCTIONS BEFORE
INSTALLING YOUR NEW FITTING**

PLEASE RETAIN FOR FUTURE REFERENCE

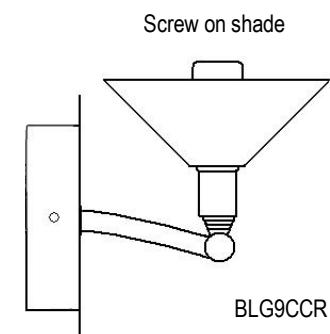
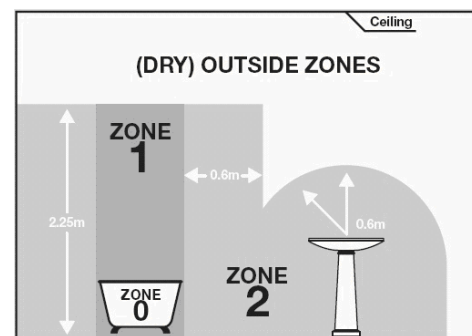
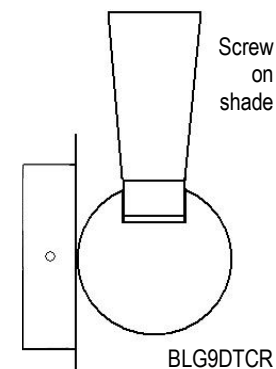
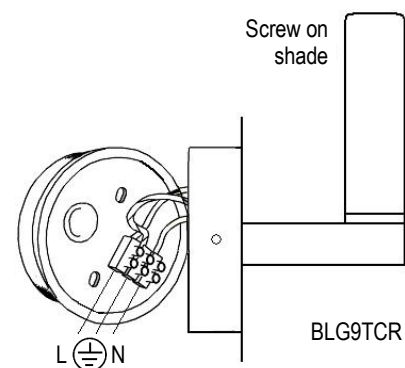
Read this first:

- > Check the pack and make sure you have all of the parts listed on the front of this booklet. If not, contact the outlet where you bought this product.
- > This product contains glass, care must be taken when assembling, fitting or handling to prevent personal injury or damage to the product.
- > **This light fitting must be installed by a competent person in accordance with the Building Regulations** making reference to the current edition of the IEE Wiring Regulations (BS7671). The Building Regulations may be obtained from HMSO or viewed and downloaded from www.communities.gov.uk following the link for Building Regulations.
- > **If in any doubt, consult a qualified electrician.**
- > Switch off the mains before commencing installation and remove the appropriate circuit fuse.
- > Suitable for indoor use only.
- > This product is suitable for use in living areas, and Bathroom Zone 2 (see diagram opposite and current IEE Wiring Regulations for details). It is **not** suitable for Bathroom Zones 0, 1, or other areas where contact with moisture is likely. **If being fitted in a bathroom a 30mA RCD must be used.**
- > This product is suitable for installation on surfaces with normal flammability (indicated by the "F" in a triangle) e.g. wood, plasterboard, masonry. It is not suitable for use on highly flammable surfaces (e.g. polystyrene, textiles).
- > Before making fixing hole(s), check that there are no obstructions hidden beneath the mounting surface such as pipes or cables.
- > If the location of your new fitting requires the provision of a new electrical supply, the supply must conform with the requirements of the Building Regulations making reference to the current edition of the IEE Wiring Regulations (BS7671).
- > This product is designed for permanent connection to fixed wiring: this should be either a suitable lighting circuit (protected with a 5 or 6 Amp MCB or fuse) . We recommend that the supply incorporates a switch for ease of operation.
- > Make connections to the electrical supply in accordance with the following code:
 - Live - Brown or Red
 - Neutral - Blue or Black
 - Earth - Green and Yellow
- > When making connections, ensure that the terminals are tightened securely and that no strands of wire protrude. Check that the terminals are tightened onto the bared conductors and not onto any insulation. Wrap loose terminal blocks well with insulating tape.
- > This product must be connected to Earth.
- > You are advised at every stage of your installation to double-check any electrical connections you have made. After you have completed your installation there are electrical tests that should be carried out: these tests are specified in the Wiring Regulations (BS7671) referred to in the Building Regulations.

Installation:

- 1) Choose the location for your light fitting giving consideration to the points above.
- 2) Remove the two screws from each side of the fitting.
- 3) Lift out the back wall plate.
- 4) Lift the terminal block off the back wall plate.
- 5) Using the back wall plate as a template, mark the location of the fixing holes on your mounting surface, ensuring that the base is level using a spirit level (not supplied).
- 6) Make the fixing holes as appropriate to surface.

- 7) Pierce the rubber grommet in the back of the wall plate just enough for the cable to pass through and so that the grommet remains tight around the cable.
- 8) Thread the cable through the grommet.
- 9) Secure the wall plate to the wall using the fixings supplied.
- 10) Make the electrical connections according to the colour code opposite ensuring that the terminals are tightened securely and that no strands of wire protrude.
- 11) Press the terminal block into place inside the back wall plate.
- 12) Check that the gasket is correctly positioned around the wall plate
- 13) Offer the fitting up to the wall plate locating the two screw holes in each side of the fitting and the wall plate.
- 14) Check that the gaskets are still correctly positioned around the two screws and screw the fitting to the plate.
- 15) Fit the G9 lamp supplied.
- 16) For BLG9CCR & BLG9DTCR Screw the glass shade onto the fitting ensuring the silicone gasket is in place creating a water tight seal.
- 17) For BLG9TCR Push the glass shade onto the fitting ensuring the silicone gasket is in place creating a water tight seal.
- 18) Restore the power and switch on.



Safety markings:

