

Castore 14-25-35-42

suspension

Michele De Lucchi, Huub Ubbens

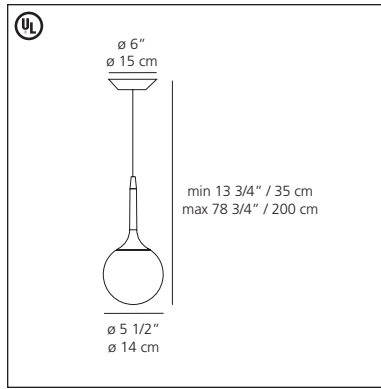
Cable suspended luminaires for diffused incandescent, halogen, or fluorescent lighting.

- diffuser in white handblown glass with external etched finish
- diffuser support in steel tubing covered by a tapered sleeve in white translucent molded polycarbonate allowing for partial soft diffusion of light from diffuser
- suspension cable in stainless steel
- ceiling plate in steel with canopy in white molded thermoplastic
- mounting to standard electrical junction boxes
- newly redesigned to incorporate compact fluorescent option utilizing GU24 base with integrated ballast and lamp holder

Awards

Design Plus, light + building
2004 - Frankfurt am Main (Deutschland)
Design Innovationen - Design
Zentrum Nordrhein Westfalen
Reddot Design Award
2004 - Essen (Deutschland)
Compasso d'oro / A.D.I. - Segnalazione
2004 - Milano (Italia)

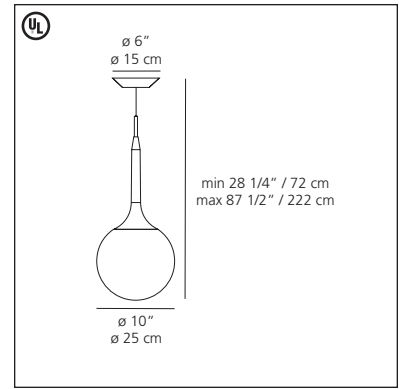
eco design



Castore 14 suspension

halogen source

- 1 x 40W (G9/T4) supplied.....



Castore 25 suspension

incandescent source

- 1 x 100W (E26/A19).....

or

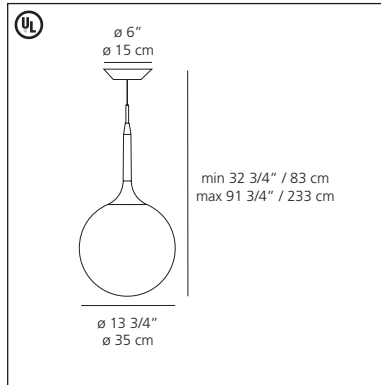
halogen source

- 1 x 100W (E26/T10 dbl. env.).....

or

fluorescent source

- 1 x 13W (GX24q-1/T4).....
- or
- 1 x 18W (GX24q-2/T4).....



Castore 35 suspension

incandescent source

- 1 x 150W (E26/A21).....

or

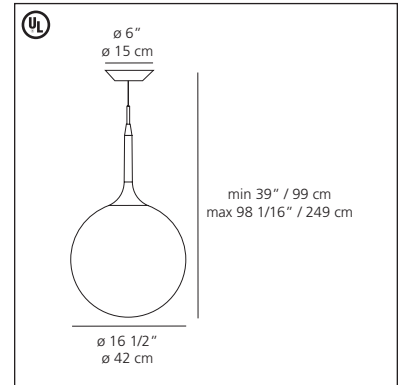
halogen source

- 1 x 150W (E26/T10 dbl. env.).....

or

fluorescent source

- 1 x 18W (GX24q-2/T4).....
- or
- 1 x 26W (GX24q-3/T4).....



Castore 42 suspension

incandescent source

- 1 x 150W (E26/A21).....

or

halogen source

- 1 x 150W (E26/T10 dbl. env.).....

or

fluorescent source

- 1 x 26W (GX24q-3/T4).....
- or
- 1 x 32W (GX24q-3/T4).....

