

# Electrospot

## TH365X

## product data sheet



### Description

A timeless design for use on mains track or surface mounting. Ideal for both highlighting and general lighting.

### APPLICATIONS

Ideal for highlighting and general lighting in retail, commercial and domestic applications. Particularly suitable where the benefits of 12V lighting are required with the flexibility of a mains-voltage installation.

### SALES FEATURES

#### Comprehensive range

Standard track version for Illumina 1-circuit track; surface mounting version. Other track versions can be made to order: for Concord, Global and Thorn 1-circuit track (order TH365X/G1 etc); for Global 3-circuit track (order TH365X/G3 etc).

Surface-mounting version, pendants.

White, black, or silver-grey finish.

Attachments: barn-door and colour filters.

#### Quality

Integral electronic transformer with soft-start maintains lamp life.

Short circuit and thermal overload protection.

F-marked: suitable for direct mounting on flammable surfaces.

Guaranteed for five years.

#### Ease of installation

Easy installation and removal from track.

The adaptor locks the spotlight positively to the track and on standard version incorporates a switch for individual switching.

Surface spotlights are pre-wired to a 10A terminal block.

#### Lamp description

High-intensity light output.

Bright, white light.

Precise beam control.

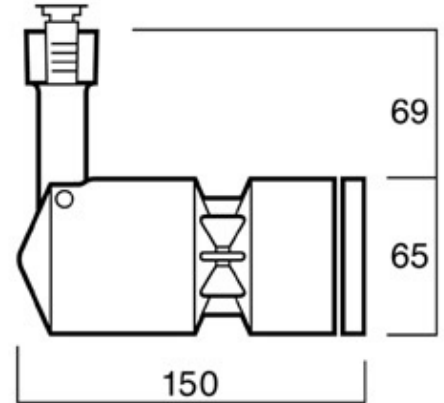
Wide selection of wattages and beam angles.

Energy saving and longer lamp life compared with standard incandescent lamps.

## TECHNICAL SPECIFICATION

### Technical Data

Cut out dia. (mm)	0
IP Rating	20
Weight (kgs)	0.28
Input Voltage(V)	240V
Dimming	Built in individual dimmer control



## MATERIALS

Body	Moulded, Glass-filled Polycarbonate
Lampholder	Ceramic
Stem	Moulded, Glass-filled Polycarbonate
Finish	Powder-Coated

## LAMP DATA

Lamp Type	Lamp Cap	No.	Lamp Watts	Lamp Current	Lamp Lumens	Lamp Life
MR16 12V	N/A	1	20	0.08	350	3000
MR16 12V		1	35	0.14	600	3000
MR16 12V		1	50	0.21	950	3000