

Electrostar TH340X

product data sheet



Description

Compact, lightweight spotlights for mains track or surface mounting. Ideal for both highlighting and general lighting in retail, commercial and leisure environments.

APPLICATIONS

Ideal for highlighting and general lighting in retail, commercial and domestic applications. Particularly suitable where the benefits of 12V lighting are required with the flexibility of a mains-voltage installation.

SALES FEATURES

Comprehensive range

Standard track version for Illumina 1-circuit track; surface mounting version. Other track versions can be made to order: for Concord, Global and Thorn 1-circuit track (order TH340X/G1); for Global 3-circuit track (order TH340X/G3).

Quality

Integral electronic transformer with soft-start maintains lamp life. Short circuit and thermal overload protection. F-marked: suitable for direct mounting on flammable surfaces.

Guaranteed for five years.

Ease of installation

Easy installation and removal from track.

The adaptor locks the spotlight positively to the track and on standard version incorporates a switch for individual switching.

Surface spotlights are pre-wired to a 10A terminal block.

Lamp description

High-intensity light output.

Bright, white light.

Precise beam control.

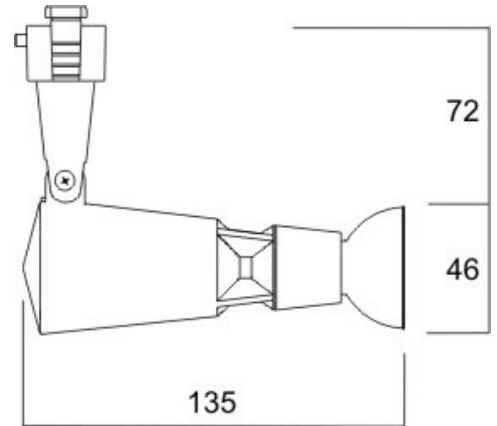
Wide selection of wattages and beam angles.

Energy saving and longer lamp life compared with standard incandescent lamps.

TECHNICAL SPECIFICATION

Technical Data

Cut out dia. (mm)	0
IP Rating	20
Weight (kgs)	0.16
Input Voltage(V)	240V
Dimming	Suitable for dimming with standard dimmers



MATERIALS

Body	Moulded, Glass-filled Polycarbonate
Lampholder	Porcelain
Transformer	Electronic
Finish	Powder Coated

LAMP DATA

Lamp Type	Lamp Cap	No.	Lamp Watts	Lamp Current	Lamp Lumens	Lamp Life
MR16 12V	GX/GU5.3	1	20	0.08	350	3000
MR16 12V		1	35	0.14	600	3000
MR16 12V		1	50	0.21	950	3000