

Lumapar TM3210

product data sheet



Description

A flexible range of discreet spotlights for mains tungsten halogen lamps not requiring a transformer. Ideal for highlighting and general lighting applications.

APPLICATIONS

Ideal for highlighting and general lighting in retail, commercial and domestic applications, particularly where unobtrusive miniature fittings are required.

SALES FEATURES

Comprehensive range

Twelve styles; white, black or silver-grey (all); or chrome finish (TM3210/S, TM3220/S, TM3410/S and TM3420/S only); standard track versions for use with Illumina 1-circuit track; surface-mounting versions. Other track versions can be made to order: for use with certain types of Concord, Global and Thorn 1-circuit track (order T3220/G1 etc); for use with Global 3-circuit track (order T3220/G3 etc). Anti-glare ring and barn-door for use with TM3210/S and TM3410/S. Two track-packs supplied c/w 50W PAR 16 lamps; white finish.

Quality

F-marked: suitable for direct mounting on flammable surfaces. Guaranteed for five years.

Ease of installation

Easy installation and removal from track. The adaptor locks the spotlight positively to the track, and on standard versions incorporates a switch for individual switching. Surface spotlights are pre-wired to a 10A terminal block.

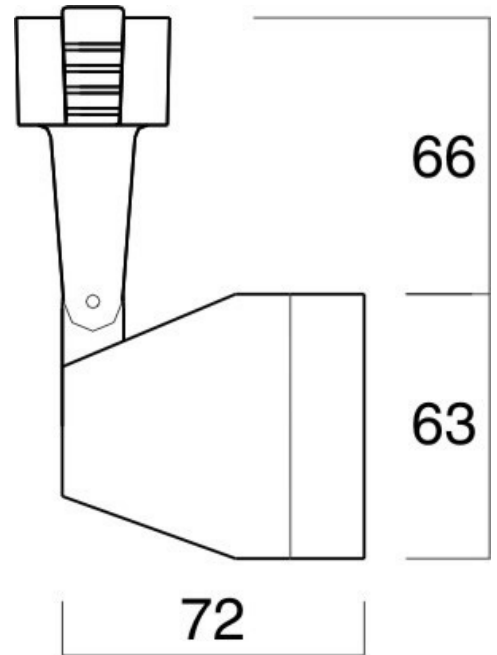
Lamp description

High-intensity light output.

TECHNICAL SPECIFICATION

Technical Data

Cut out dia. (mm)	0
IP Rating	20
Weight (kgs)	0.15
Input Voltage(V)	240V
Dimming	Suitable for Dimming



MATERIALS

Body	Diecast Aluminium
Stem	Diecast Aluminium
Lampholder	Ceramic
Wiring	PTFE coated
Finish	Powder Coated

LAMP DATA

Lamp Type	Lamp Cap	No.	Lamp Watts	Lamp Current	Lamp Lumens	Lamp Life
PAR16	GU10	1	50	0.2		2000
PAR16	GU10	1	50	0.2		2000