

# Topspot T310

## product data sheet



**Description**  
A versatile range of spotlights

### APPLICATIONS

Ideal for highlighting and general lighting in retail, commercial and domestic applications.

### SALES FEATURES

#### Comprehensive range

Standard track version for Illuma 1-circuit track; surface-mounting version; trackpacks and pendants. White finish. Other track versions can be made to order: for use with certain types of Concord, Global and Thorn 1-circuit track (order T310/G1); for use with Global 3-circuit track (order T310/G3). Attachments available to conceal a reflector lamp or allow the use of GLS lamps.

#### Quality

Guaranteed for five years

#### Ease of installation

Easy installation and removal from track. The adaptor locks the spotlight positively to the track, and on the standard version incorporates a switch for individual switching. Surface spotlights are pre-wired to a 10A terminal block.

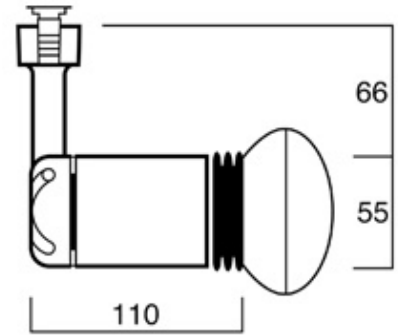
#### Lamp description

High-intensity light output.

## TECHNICAL SPECIFICATION

### Technical Data

Cut out dia. (mm)	0
IP Rating	20
Weight (kgs)	0.21
Input Voltage(V)	240V
Dimming	Suitable for Dimming



## MATERIALS

Body & Stem	Injection-moulded PBT
Gasket	Silicone Rubber
Lampholder	Ceramic
Track Adaptor	Moulded Polycarbonate
Finish	Self coloured

## LAMP DATA

Lamp Type	Lamp Cap	No.	Lamp Watts	Lamp Current	Lamp Lumens	Lamp Life
R63	E27	1	60	0.25		1000
R80	E27	1	75	0.17		1000
PAR20	E27	1	50	0.25		1000
PAR30	E27	1	100	0.25		1000