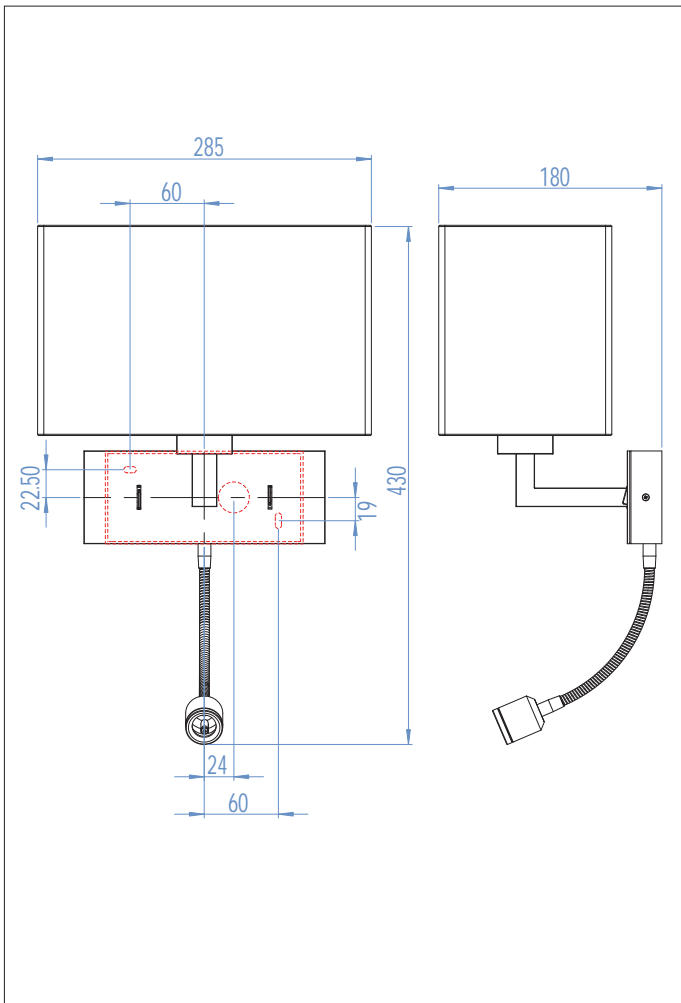


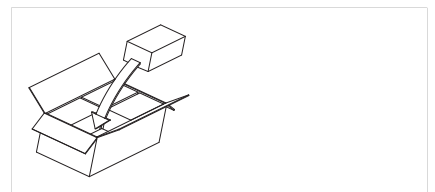
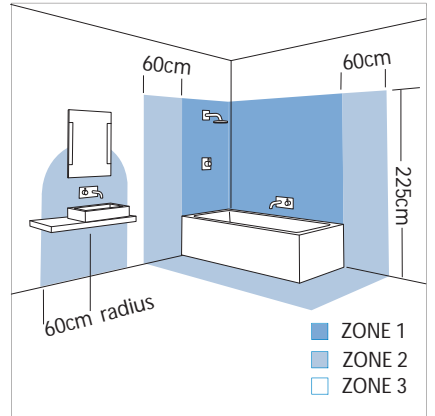
Park Lane LED, Finish: Bronze, AX0540



1 x 60w E27		not included
----------------	--	-----------------

1 x 1w LED		included
---------------	--	----------

Zones	3
-------	----------



Shade Combinations

Shade
h:170 w:285

Wh	White 4001
Bk	Black 4003

Model: AX0540
Style: Contemporary
Energy type: Mains Voltage 240V
Total wattage: 60 + 3 W
Lamp type: GLS
Lamp base: E27 / ES
IP Rating: IP20
Zone rating: 3
Task: Wall
Projection: 178 mm
Dimensions: 285 (width) mm
Height: 430 mm

Sparks Electrical Wholesalers Ltd
 659-661 Holloway Road
 London N19 5SE
 Tel: 020 7263 8007
www.sparksdirect.co.uk