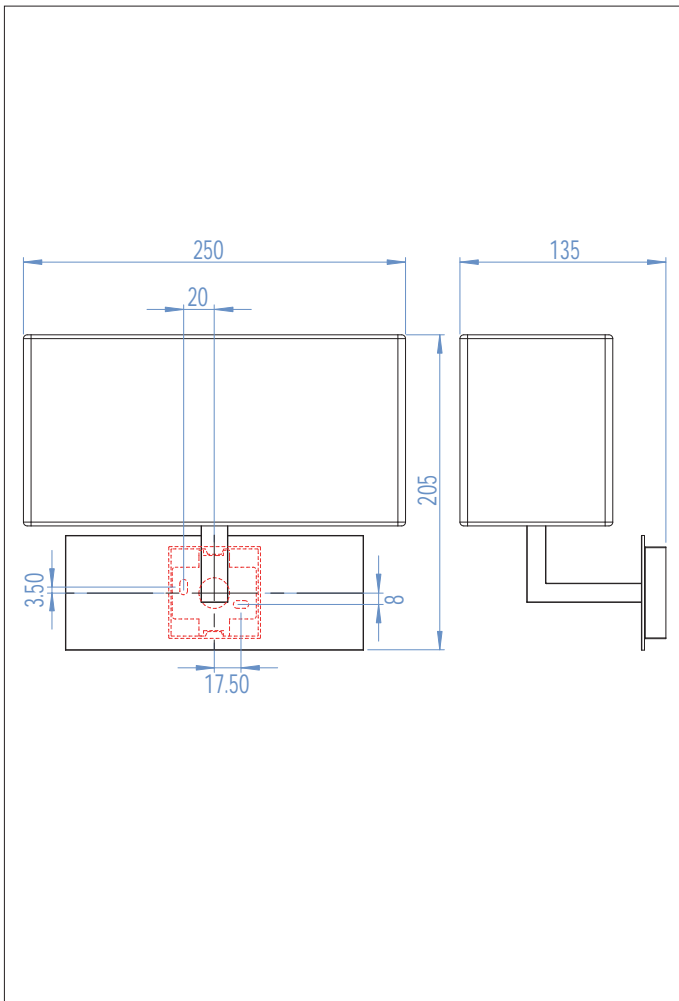
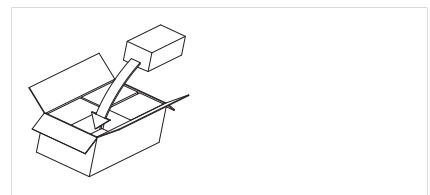
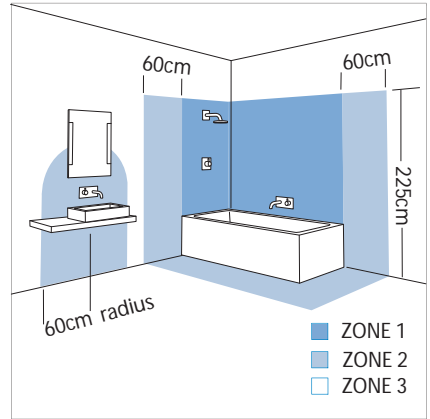


Park Lane Nickel Wall Light, AX0516



1 x 60w E14		not included
----------------	--	-----------------

Zones	3
-------	----------



Sparks Electrical Wholesalers Ltd

659-661 Holloway Road
 London N19 5SE
 Tel: 020 7263 8007
www.sparksdirect.co.uk

Specifications

Model: AX0516
 Style: Contemporary
 Energy type: Main s Voltage 240V
 Wattage: 60 W
 Lamp type: Golf Ball
 Lamp base: E14 /SES
 IP Rating: IP2 0
 Zone rating: 3
 Task: Wall
 Projection: 135 mm
 Dimensions: 250 (width) mm
 Height: 250 mm