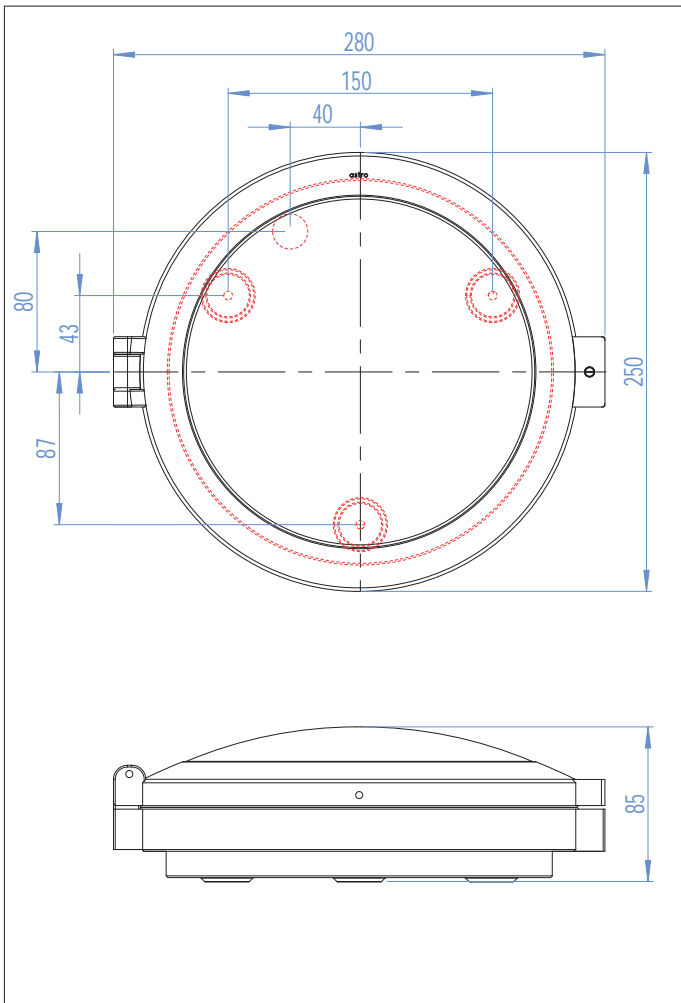


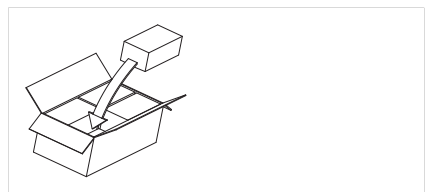
Toronto Round Bulkhead, AX0325



1 x 100w E27		not included
-----------------	--	-----------------



Zones	Not Applicable
-------	----------------



Sparks Electrical Wholesalers Ltd

659-661 Holloway Road
 London N19 5SE
 Tel: 020 7263 8007
www.sparksdirect.co.uk

Specifications

Model: AX0325
 Style: Contemporary
 Energy type: Mains Voltage 240V
 Wattage: 100 W
 Lamp type: GLS
 Lamp base: E27 / ES
 IP Rating: IP65
 Task: Wall
 Overall Diameter: 250 mm
 Projection: 85 mm