

# Rocket

## T325

## product data sheet



### Description

An essential range of compact spotlights for mains operated PAR halogen reflector lamps. Designed for universal applications.

### APPLICATIONS

Ideal for highlighting and general lighting in retail, commercial and domestic applications, particularly where unobtrusive miniature fittings are required.

### SALES FEATURES

#### Comprehensive range

Standard track version for Illumina 1-circuit track; surface mounting version. Other track versions can be made to order: for use with certain types of Concord, Global and Thorn 1-circuit track (order T325/G1 etc); for Global 3-circuit track (order T325/G3 etc). White, black or silver-grey finish.

#### Quality

F-marked: suitable for direct mounting on flammable surfaces. Guaranteed for five years.

#### Ease of installation

Easy installation and removal from track.  
The adaptor locks the spotlight positively to the track.  
Surface spotlights are pre-wired to a 10A terminal block.  
Comprehensive instructions

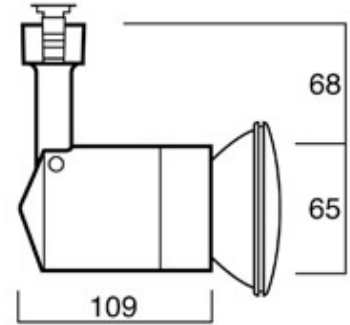
#### Lamp description

High-intensity light output.

## TECHNICAL SPECIFICATION

### Technical Data

Cut out dia. (mm)	0
IP Rating	20
Weight (kgs)	0.24
Input Voltage(V)	240V
Dimming	Suitable for use with standard dimmers



## MATERIALS

Body & Stem	Moulded Polycarbonate
Front Ring	Steel
Lampholder	Ceramic
Track Adaptor	Moulded Polycarbonate
Finish	Powder Coated

## LAMP DATA

Lamp Type	Lamp Cap	No.	Lamp Watts	Lamp Current	Lamp Lumens	Lamp Life
PAR30	E27	1	75	0.31		2500
PAR30	E27	1	100	0.42		2500
PAR30	E27	1	75	0.31		2500
PAR30	E27	1	100	0.42		2500