

Rocket

T326

product data sheet



Description

An essential range of compact spotlights for mains operated PAR halogen reflector lamps. Designed for universal applications.

APPLICATIONS

Ideal for highlighting and general lighting in retail, commercial and domestic applications, particularly where unobtrusive miniature fittings are required.

SALES FEATURES

Comprehensive range

Standard track version for Illumina 1-circuit track; surface mounting version. Other track versions can be made to order: for use with certain types of Concord, Global and Thorn 1-circuit track (order T325/G1 etc); for Global 3-circuit track (order T325/G3 etc). White, black or silver-grey finish.

Quality

F-marked: suitable for direct mounting on flammable surfaces. Guaranteed for five years.

Ease of installation

Easy installation and removal from track.
The adaptor locks the spotlight positively to the track.
Surface spotlights are pre-wired to a 10A terminal block.
Comprehensive instructions

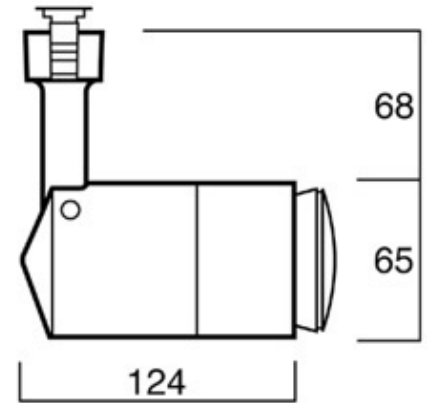
Lamp description

High-intensity light output.

TECHNICAL SPECIFICATION

Technical Data

Cut out dia. (mm)	0
IP Rating	20
Weight (kgs)	0.26
Input Voltage(V)	240V
Dimming	Suitable for use with standard dimmers



MATERIALS

Body & Stem	Moulded Polycarbonate
Front Ring	Steel
Lampholder	Ceramic
Track Adaptor	Moulded Polycarbonate
Finish	Powder Coated

LAMP DATA

Lamp Type	Lamp Cap	No.	Lamp Watts	Lamp Current	Lamp Lumens	Lamp Life
R60	E27	1	40	0.17		1000
R60	E27	1	60	0.25		1000
R63	E27	1	40	0.17		1000
R63	E27	1	60	0.25		1000
R80	E27	1	60	0.25		1000
R80	E27	1	75	0.31		1000
R80	E27	1	100	0.42		1000
PAR 20	E27	1	50	0.21		2500