

## 5 amp and 2 amp Sockets

Our 2amp and 5amp socket outlets can be used for lighting circuits that demand low amperages.

### Technical Information

- Conforms to BS 546 1950
- Top access terminals making wiring easier and quicker
- Shutter safety feature
- Terminal marking present on socket housing for clearer identification
- Automatic primary switching on insertion of plug
- All Forbes and Lomax switches and sockets require British standard 35mm deep flush wall boxes.

### Available In:

The Invisible Socket Range  
The Antique Bronze Range  
The Nickel Silver Range  
The Verdigris Range  
The Aged Brass Range

The Unlacquered Brass Range  
The Painted Socket Range  
The Stainless Steel Range

### Inserts:

Black  
White



Single 2amp socket in Verdigris



Single 5amp socket in Nickel



Double 2 amp socket in uUnlacquered Brass

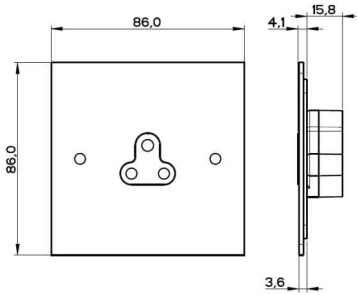


Single 5 amp socket in Paintable



Single 5amp socket in Invisible

## Technical Specification



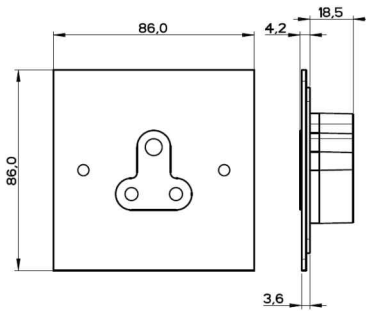
### 2amp Round Pin Socket Outlet

**Depth:**

2amp Socket – 16mm

**Recommended Box Depth:**

2Amp Round Pin Socket - 35mm Box  
Metal boxes to BS4662



### 5amp Round Pin Socket Outlet

**Depth:**

5amp Socket – 19mm

**Recommended Box Depth:**

5Amp Round Pin Socket – 35mm Box  
Metal boxes to BS4662

Technical Specification	
Supply Voltage:	250V AC
Terminal Capacities:	<b>2 AMP Socket</b>
	Live, Neutral & Earth
	1 x 2.5 mm <sup>2</sup>
	2 x 2.0 mm <sup>2</sup>
	2 x 1.5 mm <sup>2</sup>
	<b>5 AMP Socket</b>
	Live, Neutral & Earth
	1 x 2.5 mm <sup>2</sup>
	2 x 2.0 mm <sup>2</sup>
	2 x 1.5 mm <sup>2</sup>
	4 x 1.0 mm <sup>2</sup>
Ambient Operating Temperature:	-5°C to +40°C
IP Rating:	IP2XD
Max Installation Altitude:	2000 meters

## Plate Dimensions

