

INSTALLATION & MAINTENANCE MANUAL EMTWINPC



230V
50Hz



IP
20



ML
ACCESSORIES LTD



 **RoHS**
COMPLIANT

CE



GENERAL INSTRUCTIONS

These instructions should be read carefully and retained after installation by the end user for future reference and maintenance.

These instructions should be used to aid installation of the following product:
EMTWINPC

SAFETY

- Installation of this luminaire should only be carried out by a qualified electrician or competent person to the latest Building and current IEE Wiring Regulations (BS7671)
- Please isolate mains prior to installation/maintenance
- Check the total load on the circuit (including when this luminaire is fitted) does not exceed the rating of the circuit cable, fuse or circuit breaker
- Please note the IP (Ingress of Protection) rating of this luminaire when deciding the location for installation
- Installing in areas where the temperature consistently drops below 0°C may shorten the battery life
- We recommend a minimum charge period of 24 hours before doing an emergency duration test
- This product is Class II, double insulated
- This product is non-dimmable
- This product is IP20 rated

INSTALLATION

- Provide power to the required point of installation. Suitable IP rated junction boxes should be used where required
- With the aid of a slotted screwdriver remove the front cover to access the terminal block [See Fig 1]
- Feed the power cable into the luminaire and secure to required surface

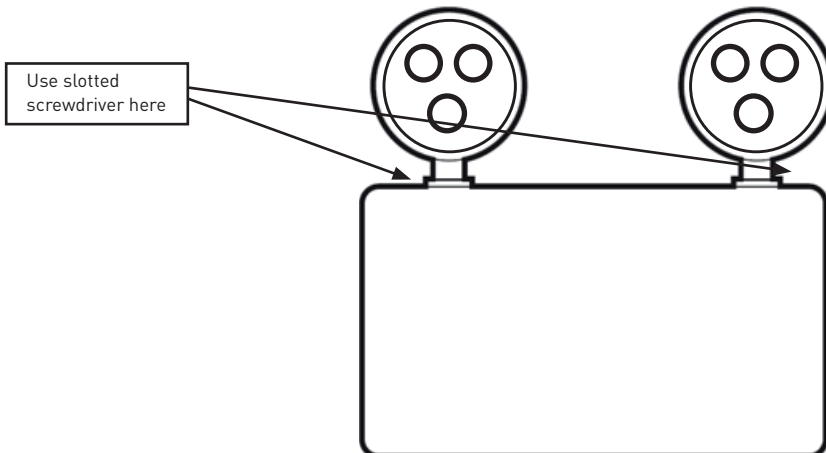


Fig 1

- Connect the luminaire to the mains supply (via the terminal connector) ensuring the correct polarity is observed (see Fig 2). Live (brown), Neutral (blue) and Earth (green and yellow). Note that the earth on this PCB is non-functional.

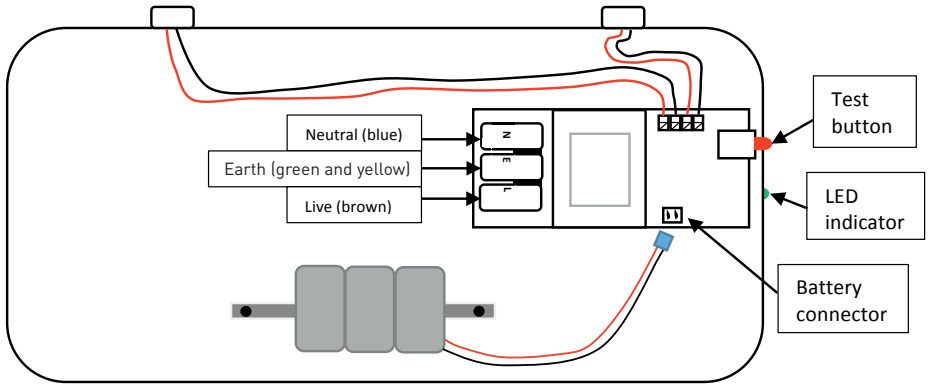


Fig 2

- Connect the battery to the battery connector on the PCB (see Fig 2)
- Replace the front cover on the luminaire
- Switch on power supply and ensure the green LED indicator is illuminated
- The test button can be pressed to ensure the luminaire comes on (note this will only work when the battery holds at least a small charge)

GENERAL

The LED lamps fitted in this product are non-replaceable. The unit should be recycled in the correct manner when it reaches the end of its life. Check local authorities for where facilities exist.

If the batteries have been left in a discharged state for any period of time, we recommend that several charge and discharge cycles be performed to restore the battery to its full capacity. The batteries in this fitting are Nickel Cadmium and must be disposed of correctly.

Please contact the local authorities for the disposal of this toxic waste.

Clean with a soft dry cloth only, do not use aggressive cleaning products or solvents which may damage the fitting.

WARNING

This product has a warranty of 3 years (excluding battery) from date of purchase. Failure to install this product in accordance with the current edition of the IEE Wiring Regulations, improper use, or removal of the batch codes will invalidate the warranty. If this product should fail within its warranty period it should be returned to the place of purchase for a free of charge replacement. ML Accessories does not accept responsibility for any installation costs associated with the replacement product. Your statutory rights are not affected. ML Accessories reserve the right to alter product specification without prior notice.

Knightsbridge[®]

the mark of quality



ML Accessories Limited
LU5 5TA

www.mlaccessories.co.uk

SBJUL16_V1