

# Aura In-Line

Toilet, en-suite and bathroom ventilation



## Key Features

- Axial in-line fan
- Ventilation up to 108 m<sup>3</sup>/hr
- Designed for ventilation of small and medium size rooms
- Use for both supply or extraction
- Compact and quiet in operation
- Mounting bracket included
- Ductable
- IPX4 rating
- 3 year warranty



## Aura In-Line range

Highly reliable fan in a modular design for ease of installation and maintenance. Aura In-Line Fans are designed to provide extraction levels that comply with the latest Building Regulations.

The fans are manually operated by a remote switch (switch not supplied). Timer control versions are also available. Install in-line with ducting for a quiet and discreet installation.

The Aura in-line fan comes with a fixing bracket and is compact, attractively styled and ductable over short lengths. They are the ideal solution for removing damp moist air, odours and airborne pollutants from toilets and bathrooms.



ALWAYS PULL FLEXIBLE DUCTING TAUGHT TO ENSURE INSTALLED PERFORMANCE AIR FLOW.



## Models

**Basic** Control by Remote Switch

**Timer** Timer can be set to run on between 2 and 30 minutes

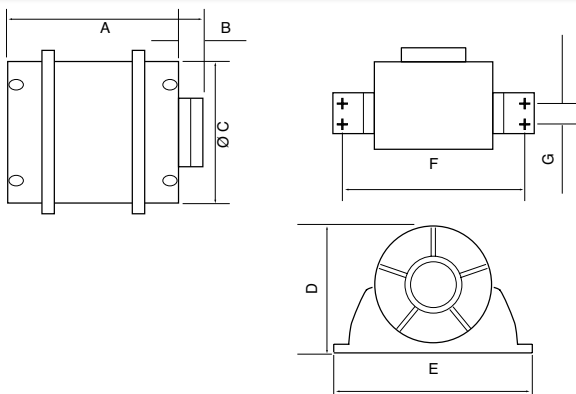


## Technical Data

Specification	Aura In-Line 100B	Aura In-Line 100T
Air flow m <sup>3</sup> /hr* / l/sec*	108 / 30	108 / 30
Fan type	Axial	Axial
Controls	Basic	Timer
Mounting	In-Line	In-Line
Sound pressure dB(A)@3m	39	39
Power watts	16	16
Amps	0.1	0.1
Specific Fan Power (SFP)	0.53	0.53
Duct diameter (mm)	100	100
Voltage	230v / 1ph / 50Hz	230v / 1ph / 50Hz
Rating	IPX4	IPX4
Material finish	ABS	ABS
Weight (kg)	0.41	0.41
Dimensions (H x W x D) mm	110 x 160 x 113	110 x 160 x 113
Part No.	9041355	9041356

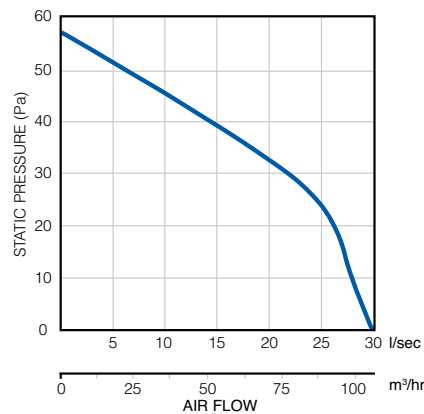
\* Air flow at free discharge

## Dimensions (mm)



Model	A	B	C	D	E	F	G
Aura in-line 100	85	28	100	110	160	144	29

## Performance



## Controls and Accessories

A range of accessories including flexible and rigid ducting kits, controls, switches and grilles are available.

Call: 01494 560800

Visit: [airflow.com](http://airflow.com)



**Airflow Developments Limited**  
Aidelle House, Lancaster Road,  
Cressex Business Park,  
High Wycombe, Buckinghamshire,  
United Kingdom, HP12 3QP

E-mail: [info@airflow.com](mailto:info@airflow.com)  
Telephone: +44 (0) 1494 525252

[airflow.com](http://airflow.com)

© Airflow Developments Limited. Airflow Developments Limited reserve the right, in the interests of continuous development, to alter specifications without prior notice. All orders are accepted subject to our conditions of sale which are available on request.

