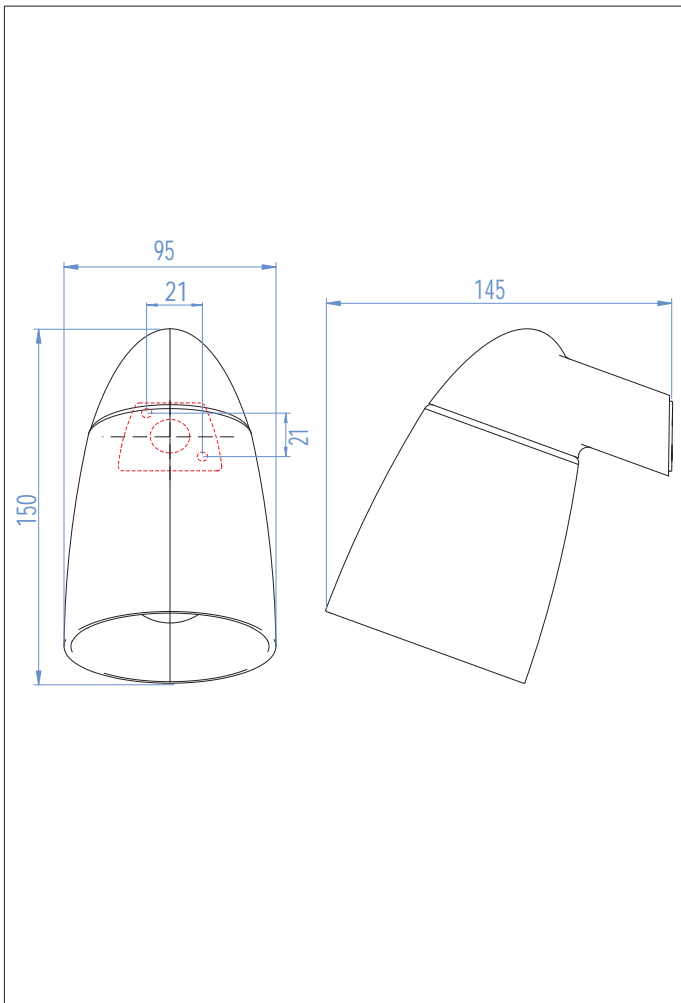
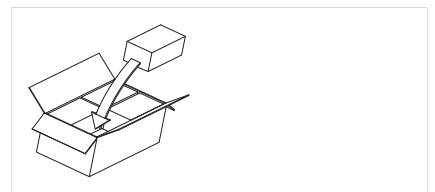
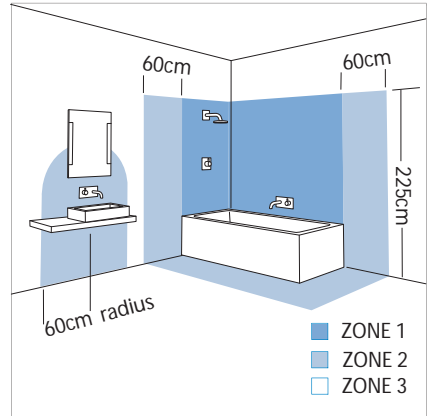


# Lincoln Bathroom Wall Light, AX0334



1 x 40w E14		not included
----------------	--	-----------------

Zones	<b>2</b>	<b>3</b>
-------	----------	----------



## Sparks Electrical Wholesalers Ltd

659-661 Holloway Road  
London N19 5SE  
Tel: 020 7263 8007  
[www.sparksdirect.co.uk](http://www.sparksdirect.co.uk)

### Specifications

Model: AX0334  
Style: Modern  
Wattage: 40 W  
Lamp type: Golf Ball  
Lamp base: E14 /SES  
IP Rating: IP44  
Zone rating: 2 and 3  
Task: Wall  
Projection: 145 mm  
Dimensions: 95 x 150 mm