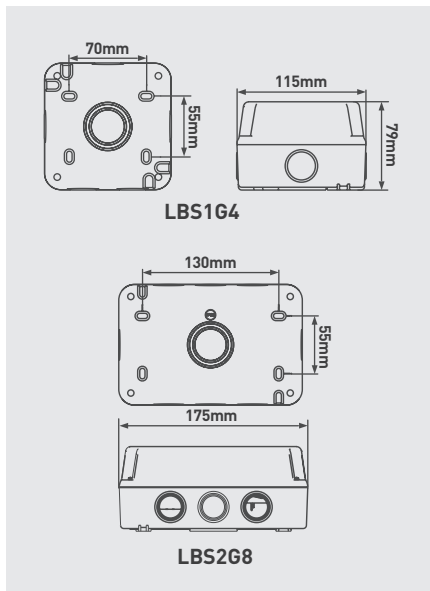


STORM BULHEAD

A suitable replacement for a 60 and 100W GLS bulkhead

- Rectangular bulkhead for internal or external use ideal for replacing A60 luminaires
- High impact polycarbonate housing
- Rear and multiple side entry cables points to fit all installations
- Suitable for 230V and 110V use



CAT NO.	DRIVER	LUMINAIRE LUMENS	WATTAGE	EFFICACY Llm/W
LBS1G4	Standard	400	4.5W	89
LBS2G8	Standard	750	7W	107
LBS2G8MW	Microwave	750	7.5W	100

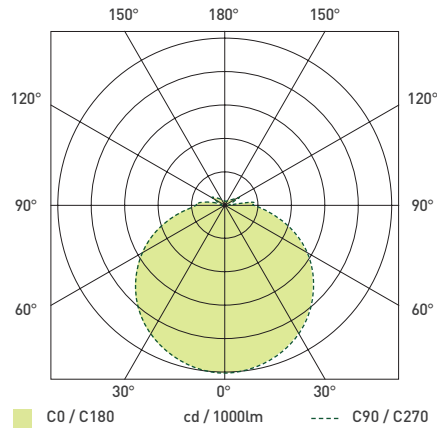
	LENGTH / DIA (mm)	WIDTH (mm)	HEIGHT / DEPTH (mm)	WEIGHT (kg)	L FIXING CENTRES (mm)	W FIXING CENTRES (mm)	CEILING CUTOUT (mm)	LUMINAIRE LUMENS (Llm)	LUMINAIRE WATTAGE (W)	EFFICACY (Llm/W)	CCT (K)	CRI	UGR	IP RATED	IK RATED	GLOW WIRE (°C)	RAL COLOUR	TEMP RANGE (°C)	RATED LIFE (HR)	AMBIENT TEMP. RATED LIFE (°C)	L AT RATED LIFE	B AT RATED LIFE	VOLTAGE RANGE	FREQUENCY	EMERGENCY PACK CODE	WARRANTY (YEARS)
LBS1G4	115	115	80	0.25	70	50	N/A	400	4.5	89	4000	>80	N/A	IP65	IK08	650	GREY 5C	-20+25	30,000	25	70	10	220-240V	50hz	N/A	5
LBS2G8	115	175	80	0.34	130	55	N/A	750	7	107	4000	>80	N/A	IP65	IK08	650	GREY 5C	-20+25	30,000	25	70	10	220-240V	50hz	N/A	5
LBS2G8MW	115	175	80	0.36	130	55	N/A	750	7.5	100	4000	>80	N/A	IP65	IK08	650	GREY 5C	-20+25	30,000	25	70	10	220-240V	50hz	N/A	5

LBS1G4

LUMINAIRE PERFORMANCE

Light Output Ratio: 100%
 Luminaire Efficacy: 100 lm/W
 Light Distribution: A31 ↓91.2% ↑8.8%
 CIE Flux Codes: 39 68 89 91 100
 UGR 4H 8H (20%, 50%, 70%)C0 / C90: 23.1 / 23.3

LUMINOUS INTENSITY

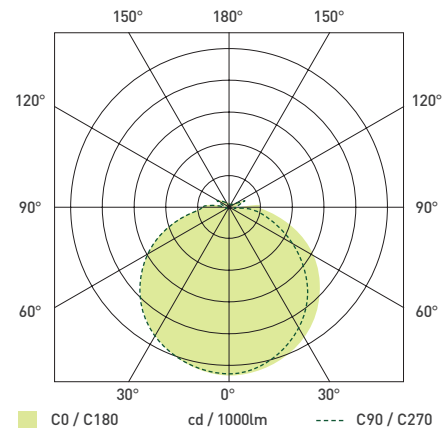


LBS2G8

LUMINAIRE PERFORMANCE

Light Output Ratio: 100%
 Luminaire Efficacy: 107.14 lm/W
 Light Distribution: A31 ↓92.1% ↑7.9%
 CIE Flux Codes: 40 70 90 92 100
 UGR 4H 8H (20%, 50%, 70%)C0 / C90: 24.3 / 24.7

LUMINOUS INTENSITY



LUCECO

This luminaire contains built-in LED lamps.

A++

A+

A

B

C

D

E

} LED

The lamps cannot be changed in the luminaire.

874/2012

STANDARDS

EN 60598-1	Luminaires - General requirements
EN 60598-2-2	Luminaires - Surface mounted
EN 60598-2-22	Luminaires - Emergency
EN 61347-1	Lamp controlgear - Part 1: General and safety requirements
EN 61347-2-13	Lamp controlgear - Part 2-13 : Particular requirements for d.c. or a.c. supplied electronic controlgear for LED modules
EN 55015	Limits and methods of measurement of radio disturbance characteristics of electrical lighting and similar equipment
EN 61547	Equipment for general lighting purposes - EMC immunity requirements
EN 61000-3-2	Electromagnetic compatibility (EMC) - Part 3-2: Limits - for harmonic current emissions
EN 62471	Photobiological safety of lamps and lamp systems
2002/96/EC	Waste Electrical & Electronic Equipment (WEEE)
2011/65/EU	Restriction of the use of certain Hazardous Substances in EEE (RoHS)
(EC) No 1907/2006	The Registration, Evaluation, Authorisation and Restriction of Chemicals (REACH)

www.luceco.com