

Knightsbridge

INSTALLATION & MAINTENANCE MANUAL CFR5xx



230V
50Hz

IP
65



ML
ACCESSORIES LTD



CE



55

GENERAL INSTRUCTIONS

These instructions should be read carefully and retained after installation by the end user for future reference and maintenance.

These instructions should be used to aid installation of the following products:

CFR5WW / CFR5CW

SAFETY

- This product must be installed in accordance with the latest edition of the IEE Wiring Regulations (BS7671) and current Building Regulations. If in any doubt, consult a qualified electrician
- Please isolate mains prior to installation or maintenance
- Check the total load on the circuit (including when this luminaire is fitted) does not exceed the rating of the circuit cable, fuse or circuit breaker
- Please note the IP (Ingress Protection) rating of this luminaire when deciding the location for installation
- Allow 50mm above and around the fitting for air dissipation (do not cover the fitting with insulation)
- This product is Class II double insulated
- This product is IP65 rated

INSTALLATION

Note - If this luminaire is being used in conjunction with an external PIR or sensor, please confirm with the manufacturer of the sensors that they are compatible with LED luminaires

- Provide power to the required point of installation
- Cut a suitable hole in the mounting surface as per the cut-out details (see Fig. 1) ensuring not to infringe with any joists, gas/water pipes or electrical cables

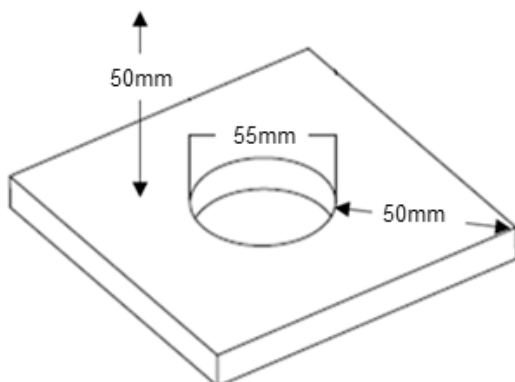


Fig. 1

- Connect the luminaire to the mains supply ensuring that correct polarity is observed (see Fig. 2): L - Live (brown), E - Earth (green/yellow), N - Neutral (blue). The earth terminal is non-functional and only provided for convenience. Two cables can be inserted into the push-fit terminal block in order to achieve loop in / loop-out wiring

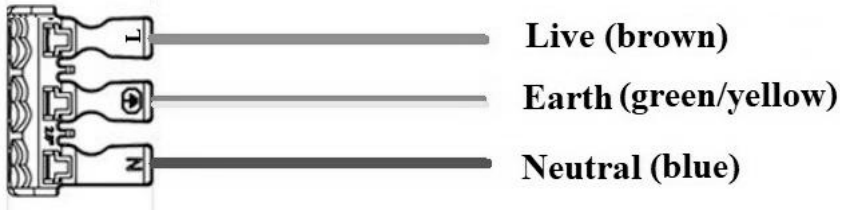


Fig. 2

- Secure the mains cable under the cable clamp and refit the terminal cover
- Lift both spring clips on the sides of the fitting and push into the ceiling
- Switch on and check for correct operation

ADDITIONAL ACCESSORIES

Part Code	Description
CFRBC	Bezel – Brushed Chrome
CFRPC	Bezel – Polished Chrome

WARNING

This luminaire must be disconnected from the circuit if subjected to any high voltage or insulation resistance testing. Irreparable damage will occur if this instruction is not followed.

GENERAL

This product should be recycled in the correct manner when it reaches the end of its life. Check local authorities for where facilities exist.

Clean with a soft dry cloth only, do not use aggressive cleaning products or solvents which may damage the product

WARRANTY

This product has a warranty of 3 years from date of purchase. Failure to install this product in accordance with the current edition of the IEE Wiring Regulations (BS7671), improper use, or removal of the batch code will invalidate the warranty. If this product should fail within its warranty period it should be returned to the place of purchase for a free of charge replacement. ML Accessories does not accept responsibility for any installation costs associated with the replacement product. Your statutory rights are not affected. ML Accessories reserve the right to alter product specification without prior notice.