

Available Modules for iCON SELV Range

SELV Module Description	Part No.	Wiring Diagram	Trigger Input	Timer ¹	PIR ³	Humidity ²	Pull Cord Momentary	Pull Cord Latching	Notes
Pull Cord Module	72573603	B	x	x	x	x	x	✓	1: 2-45 minutes 2: Adjustable 40-90%RH 3: Passive infra-red
PIR Humidity Timer Module	72574201	A,B	✓	✓	✓	✓	x	x	
Humidity Pull Cord Timer Module	72574202	A,B	✓	✓	x	✓	✓	x	
PIR Timer Module	72574203	A,B	✓	✓	✓	x	x	x	
Pull Cord Timer Module	72574204	A,B	✓	✓	x	x	✓	x	
2 min Delay Timer Module	72682307	A,B	✓	✓	x	x	x	x	

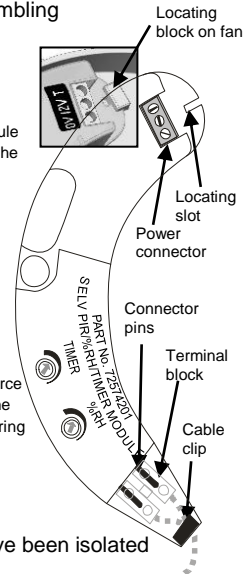
Fitting, Wiring and Adjusting

All Installation and adjustment to be carried out by a qualified person to the latest versions of Part P & IEEE Regulations or to the appropriate regulations of the country of installation.

Always isolate the transformer and fan units from the power supply before disassembling the equipment.

Fitting and Wiring

- ✦ Remove the front cover, [See: Fan Instructions].
- ✦ Lift the terminal block away from the fan housing and push the two connector pins at one end of the module into the electrical terminal block and tighten with a suitable screwdriver. Ensure that the leads are under the retaining clip.
- ✦ Fit slot in power connector end of module into the location block in the fan housing.
- ✦ Push module back into the fan body ensuring that the terminal block locates over the 2 retaining pillars.
- ✦ **For modules with pull-cords:** ensure that the pull-cord is properly located within the cord slot at the bottom of the fan housing
- ✦ **For modules with PIR control:** remove the oval lens cap fitted at the bottom of the front cover of the fan unit. Replace it with the translucent lens supplied with the PIR module.
Note: The lens must be replaced in order for the PIR module to function properly. Ensure that the orientation of the lens is correct, i.e. lens face should be flush with surface.
- ✦ **Connecting external DC cable into Fan:** Fix the supplied sealed grommet into the cable entry hole. Pierce the grommet to allow the cable to be pulled through while maintaining the integrity of the seal. Connect the cable to the 3-way connector block [See: iCON SELV Fan instructions for possible wiring schemes] ensuring that the supplied cable clamp is fitted. Refit the front cover, [See: Fan Instructions].



Module Adjustment

All installation and adjustment to be carried out by a qualified person. Do not open the unit or adjust the controls unless the transformer and fan units have been isolated from the power supply.

A module with Timer or Humidistat is supplied preset, but may be adjusted by the installer. **Note on humidity setting** – for sensor to be **less sensitive** (towards 90%) will only pick up very high levels of humidity – eg. use of bath or shower. For sensor to be **more sensitive** (towards 40%) will pick up very low levels of humidity – eg. normal summer day when fan will come on more often and for longer periods.. The modules are preset at 70% RH as our fans are sold worldwide with varying humidity levels.

Timer
 MAX = 30 minutes, MIN = 2 minutes.
 (Factory set to approx. 20 minutes)

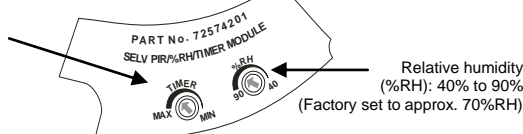


Diagram A – iCON Fan Wiring for Control Modules with external switching

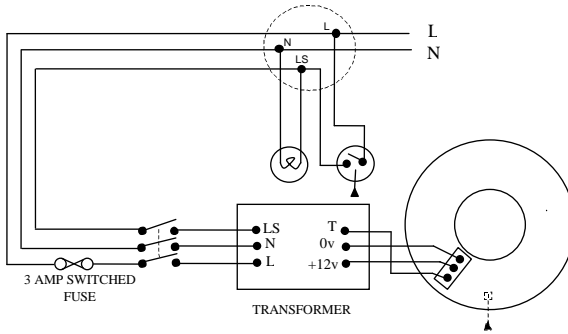
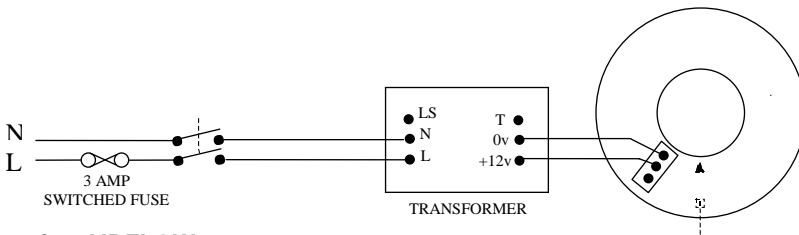


Diagram B - iCON Fan Wiring for Control Modules with no external switching



Contacting AIRFLOW

United Kingdom (Head Office)

AIRFLOW DEVELOPMENTS Limited
Aidelle House, Lancaster Road
Cressex Business Park
High Wycombe
Buckinghamshire HP12 3QP
UK

Tel: +44 (0) 1494 525252
Fax: +44 (0) 1494 461073
Email: info@airflow.com
Web: airflow.com

Germany

AIRFLOW LUFTECHNIK GmbH
Postfach 1208
D-53349 Rheinbach
Germany

Tel: +49 (0) 2226 92050
Fax: +49 (0) 2226 920511
Email: info@airflow.de
Web: airflow.de

Czech Republic

AIRFLOW LUFTECHNIK Praha
Hostýnská 520
108 00 Praha 10
Malešice
Prague
Czech Republic

Tel: +420 274 772230
Fax: +420 274 772370
Email: info@airflow.cz
Web: airflow.cz

The statements and opinions contained in this document are made and expressed in good faith. Whilst every effort has been made to provide reliable information, Airflow Developments Limited do not hold themselves responsible for possible errors of an editorial or other nature, however caused. Should you require a more detailed specification for a product described herein, please contact our sales department. In view of our continuous programme of improvements we reserve the right to change the specification for any model or item described in this publication.