

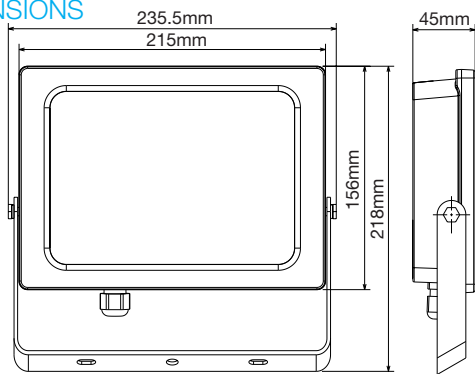
TECHNICAL DATASHEET

AFL050/CCT

50W IP65 Hunter Slim Design CCT Floodlight



DIMENSIONS



PRODUCT FEATURES

- Easy-Install Angled Bracket
- Tri-Colour Selectable (3000K, 4000K & 6000K)
- Slimline Die-cast Aluminium Construction
- Prismatic Toughened Glass
- Push Terminals for Effortless Install
- Built-in Junction Box

50W

IP65

GUARANTEE
2
 YEAR

≤4470
 lumens

Product Code	AFL050/CCT
Rated Power	50W
Housing Colour	Textured Black
Operating Voltage	220-240V
Frequency	50-60Hz
CRI	>80
PF	>0.9
Beam Angle	120°
Lifetime to LM70	<30,000 hr
Operating Temperature	-25°C~+40°C
SDCM	<6
Starting Time	0.5s
Ingress Protection	IP65
LED Chip Type	SMD2835
Guarantee	2 years
Lumens	
3000K	≤3780Lm
4000K	≤4470Lm
6000K	≤3850Lm
CCT	3000K /4000K /6000K
Switching Cycles	≤15,000
Peak Intensity	
3000K	1360cd
4000K	1648cd
6000K	1432cd
Class	I

AFL050/CCT

This luminaire contains built-in LED lamps.

The lamps cannot be changed in the luminaire.

874/2012