

## TECHNICAL DATASHEET

### AFL030/CCT/PIR

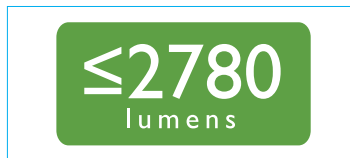
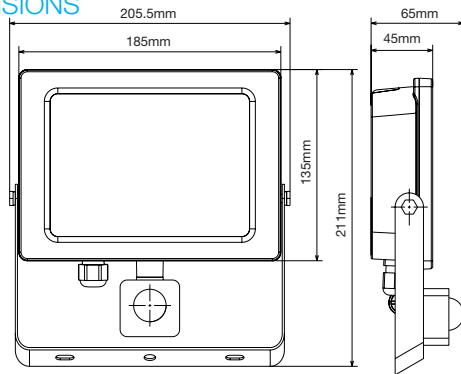
30W IP65 Hunter Slim Design CCT Floodlight With PIR



#### PRODUCT FEATURES

- Easy-Install Angled Bracket
- Tri-Colour Selectable (3000K, 4000K & 6000K)
- Slimline Die-cast Aluminium Construction
- Prismatic Toughened Glass
- Push Terminals for Effortless Install
- Built-in Junction Box
- Manual Override
- Active Occupancy Monitoring Sensor
- Fully Adjustable PIR

#### DIMENSIONS



Product Code	AFL030/CCT/PIR
Rated Power	30W
Housing Colour	Textured Black
Operating Voltage	220-240V
Frequency	50-60Hz
CRI	>80
PF	>0.9
Beam Angle	120°
Lifetime to LM70	<30,000 hr
Operating Temperature	-25°C~+40°C
SDCM	<6
Starting Time	0.5s
Ingress Protection	IP65
LED Chip Type	SMD2835
Guarantee	2 years
<b>Lumens</b>	
3000K	≤2240Lm
4000K	≤2780Lm
6000K	≤2465Lm
CCT	3000K /4000K /6000K
Switching Cycles	≤15,000
<b>Peak Intensity</b>	
3000K	848cd
4000K	1039cd
6000K	889cd
Class	I

