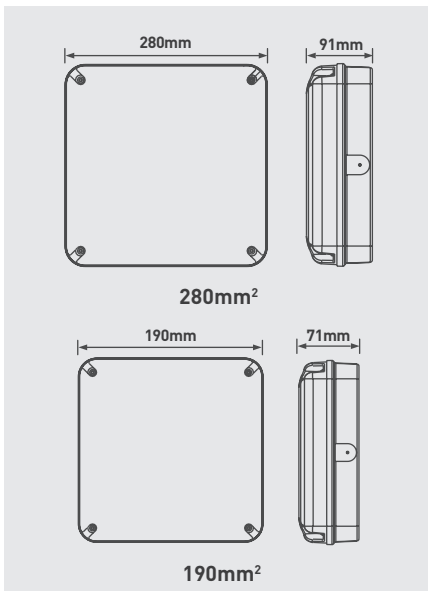


**MOSI**  
**BULKHEAD**  
**SQUARE**

- Opal prism diffuser for lower glare
- Polycarbonate construction
- Simple installation
- 4 side and 1 rear cable entry point



CAT NO.	DRIVER	SIZE	BASE COLOUR	LUMINAIRE LUMENS	WATTAGE	EFFICACY Llm/W	EQUIVALENT WATTAGE
LBM33B11S40	Standard	280mm <sup>2</sup>	Black	1150	11W	105	28W 2D
LBM33B11S40MW	Microwave	280mm <sup>2</sup>	Black	1150	12W	95	28W 2D
LBM33B11E40	Emergency	280mm <sup>2</sup>	Black	1150	12W	95	28W 2D
LBM33W11S40	Standard	280mm <sup>2</sup>	White	1150	11W	105	28W 2D
LBM33W11S40MW	Microwave	280mm <sup>2</sup>	White	1150	12W	95	28W 2D
LBM33W11E40	Emergency	280mm <sup>2</sup>	White	1150	12W	95	28W 2D
LBM22B7S40	Standard	190mm <sup>2</sup>	Black	735	7W	105	16W 2D
LBM22W7S40	Standard	190mm <sup>2</sup>	White	735	7W	105	16W 2D

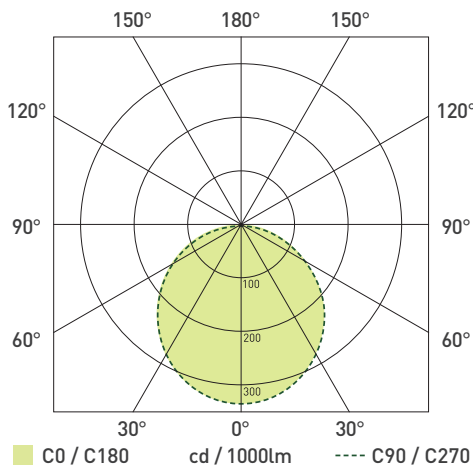
	LENGTH / DIA (mm)	WIDTH (mm)	HEIGHT / DEPTH (mm)	WEIGHT (kg)	L FIXING CENTRES (mm)	W FIXING CENTRES (mm)	CEILING CUTOUT (mm)	LUMINAIRE LUMENS (Llm)	LUMINAIRE WATTAGE (W)	EFFICACY (Llm/W)	CCT (K)	CRI	UGR	IP RATED	IK RATED	GLOW WIRE (°C)	RAL COLOUR	TEMP RANGE (°C)	RATED LIFE (HR)	AMBIENT TEMP. RATED LIFE (°C)	L AT RATED LIFE	B AT RATED LIFE	VOLTAGE RANGE	FREQUENCY	EMERGENCY PACK CODE	WARRANTY (YEARS)
LBM33*11S40	280	280	91	0.9	N/A	N/A	N/A	1150	11	105	4000	>80	≤20	IP65	IK08	650	White or Black	-20 to +40	30,000	25	70	10	220-240V	50hz	N/A	3
LBM33*11S40MW	280	280	91	1.1	N/A	N/A	N/A	1150	12	95	4000	>80	≤20	IP65	IK08	650	White or Black	-20 to +50	30,000	25	70	10	220-240V	50hz	N/A	3
LBM33*11E40	280	280	91	1.5	N/A	N/A	N/A	1150	12	95	4000	>80	≤16	IP65	IK08	650	White or Black	0 + 50	30,000	25	70	10	220-240V	50hz	N/A	3
LBM22*7S40	280	280	91	0.6	N/A	N/A	N/A	735	7	105	4000	>80	≤16	IP65	IK08	650	White or Black	-20 to +50	30,000	25	70	10	220-240V	50hz	N/A	3

## LBM33B11S40

### LUMINAIRE PERFORMANCE

Light Output Ratio: 100%  
 Luminaire Efficacy: 102.38 lm/W  
 Light Distribution: A41 ↓93.7% ↑6.3%  
 CIE Flux Codes: 44 74 92 94 100  
 UGR 4H 8H (20%, 50%, 70%)C0 / C90: 20.4 / 20.4

### LUMINOUS INTENSITY

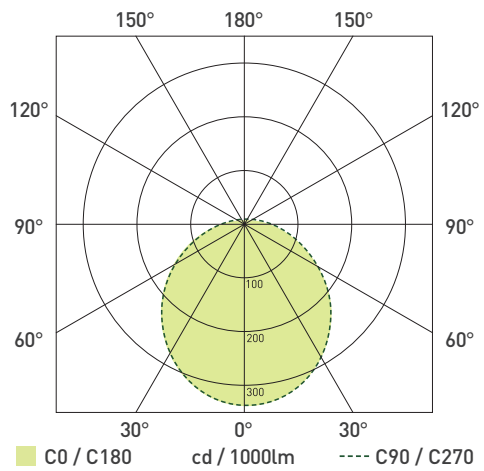


## LBM22B7S40

### LUMINAIRE PERFORMANCE

Light Output Ratio: 100%  
 Luminaire Efficacy: 105.13 lm/W  
 Light Distribution: A41 ↓93.7% ↑6.3%  
 CIE Flux Codes: 44 74 92 94 100  
 UGR 4H 8H (20%, 50%, 70%)C0 / C90: 21.1 / 21.1

### LUMINOUS INTENSITY



**LUCECO**

This luminaire contains built-in LED lamps.

A++
A+
A
B
C
D
E

} LED

The lamps cannot be changed in the luminaire.

874/2012

### STANDARDS

EN 60598-1	Luminaires - General requirements
EN 60598-2-2	Luminaires - Surface mounted
EN 60598-2-22	Luminaires - Emergency
EN 61347-1	Lamp controlgear - Part 1: General and safety requirements
EN 61347-2-13	Lamp controlgear - Part 2-13 : Particular requirements for d.c. or a.c. supplied electronic controlgear for LED modules
EN 55015	Limits and methods of measurement of radio disturbance characteristics of electrical lighting and similar equipment
EN 61547	Equipment for general lighting purposes - EMC immunity requirements
EN 61000-3-2	Electromagnetic compatibility (EMC) - Part 3-2: Limits - for harmonic current emissions
EN 62471	Photobiological safety of lamps and lamp systems
2002/96/EC	Waste Electrical & Electronic Equipment (WEEE)
2011/65/EU	Restriction of the use of certain Hazardous Substances in EEE (RoHS)
(EC) No 1907/2006	The Registration, Evaluation, Authorisation and Restriction of Chemicals (REACH)

[www.luceco.com](http://www.luceco.com)