

100mm/150mm SLIM LINE FAN Installation & Wiring Instructions

FIG.1.

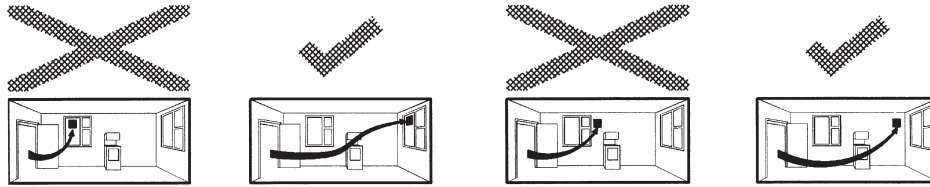


FIG.2.

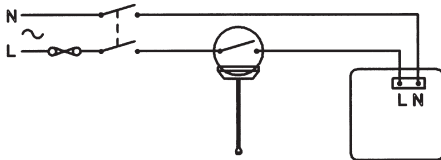


FIG.3.

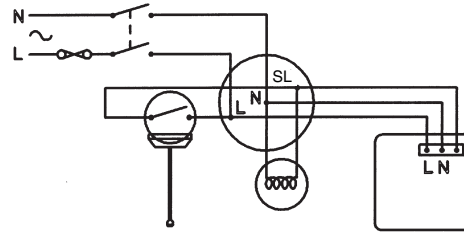


FIG.4.

T models
Timer
Adjustment.

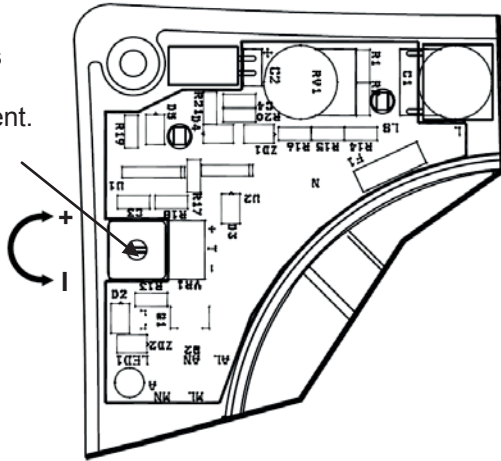
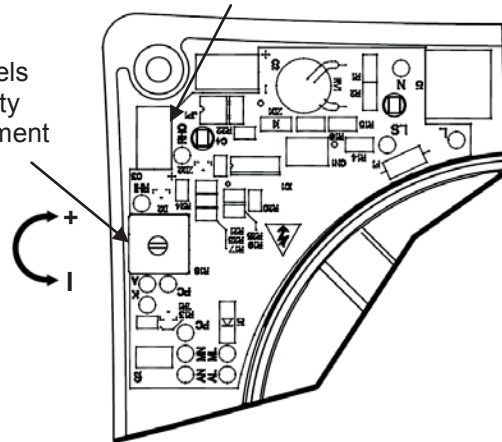


FIG.5.

To activate the timer function remove jumper JP1 (If fitted). Once removed the fan will run on for a fixed period of approx. 15 mins

H models
Humidity
Adjustment



MODEL	VOLTAGE	FREQUENCY	POWER	IP
	V	Hz	W	
F100 (1,2,3)	220-240	50	16	IP44
F100S (1,2,3)	220-240	50	16	IP44
F100T (1,2,3)	220-240	50	16	IP44
F100TS (1,2,3)	220-240	50	16	IP44
F100HS (1,2,3)	220-240	50	16	IP44
F150 (1,2,3)	220-240	50	16	IPX4
F150S (1,2,3)	220-240	50	16	IPX4
F150T (1,2,3)	220-240	50	16	IPX4
F150TS (1,2,3)	220-240	50	16	IPX4
F150HS (1,2,3)	220-240	50	16	IPX4



READ INSTRUCTIONS IN CONJUNCTION WITH THE ILLUSTRATIONS

IMPORTANT

1. ALWAYS ENSURE THAT THE INSTALLATION CONFORMS TO THE CURRENT EDITION OF THE IEE WIRING REGULATIONS. BS7671 OR APPROPRIATE NATIONAL REGULATIONS AND/OR STANDARDS IN YOUR COUNTRY.
2. THE FAN SHOULD BE SITED AWAY FROM DIRECT SOURCES OF HEAT IN EXCESS OF 40°C.
3. IF THE FAN IS INSTALLED IN A ROOM CONTAINING A FUEL BURNING APPLIANCE, THE INSTALLER MUST ENSURE THAT THE AIR REPLACEMENT IS ADEQUATE FOR BOTH THE FAN AND THE FUEL BURNING APPLIANCE.
4. WIRING SHOULD BE VIA A SUITABLE 2 POLE ISOLATOR WITH A SEPARATION OF AT LEAST 3mm. THE FUSE RATING SHOULD BE 3 AMP (UK ONLY). IF THE EXTRACTOR FAN IS SITED IN A ROOM WITH A FIXED BATH OR SHOWER, THE SWITCH SHOULD BE LOCATED OUTSIDE THE ROOM.
5. ALL REGULATIONS AND REQUIREMENTS MUST BE STRICTLY FOLLOWED TO PREVENT HAZARDS TO LIFE AND PROPERTY BOTH DURING AND AFTER INSTALLATION, AND DURING ANY SUBSEQUENT SERVICING AND MAINTENANCE.
6. MANUFACTURERS OF SOME FLUORESCENT/LOW ENERGY LIGHTING SYSTEMS INDICATE THAT THESE CAN INTERFERE WITH OTHER ELECTRONIC/TIMING CIRCUITS. FOR RELIABLE OPERATION WE RECOMMEND THAT TUNGSTEN FILAMENT LIGHTING IS USED.
7. THIS UNIT MUST ONLY BE FITTED AND ADJUSTED BY SUITABLY QUALIFIED PERSONNEL.
8. 1mm² or 1.5mm² CABLE WITH RIGID WIRES SUITABLE FOR FIXED WIRING SHOULD BE USED IN ACCORDANCE WITH THE STANDARD REQUIREMENTS OF YOUR COUNTRY.
9. THIS APPLIANCE IS NOT INTENDED FOR USE BY PERSONS (INCLUDING CHILDREN) WITH REDUCED PHYSICAL, SENSORY OR MENTAL CAPABILITIES, OR LACK OF KNOWLEDGE, UNLESS THEY HAVE BEEN GIVEN SUPERVISION OR INSTRUCTION CONCERNING USE OF THE APPLIANCE BY A PERSON RESPONSIBLE FOR THEIR SAFETY.
10. CHILDREN SHOULD BE SUPERVISED TO ENSURE THAT THEY DO NOT PLAY WITH THE APPLIANCE.
11. FANS USED FOR TROPICAL CLIMATES
12. WHEN INSTALLING A FAN CARE SHOULD BE TAKEN TO ENSURE THAT THE EXTERIOR GRILLE IS AT LEAST 2.3M ABOVE GROUND LEVEL.

DESCRIPTION

The 100mm fan is an axial extraction fan suitable for domestic bathrooms and W.C's. The 150mm fan is an axial extraction fan suitable for domestic kitchens and utility rooms. They are available as wall or panel mounted models with shutter timer and humidity combinations.

Complies with the requirements of European Directives 2006/95/EC (LVD), 89/336/EEC (EMC)

FAN LOCATION

A short circuit of the airflow should always be avoided, Fig.1. by siting the fan as far away as possible from, and opposite to the main source of, air replacement in the room.

FITTING INSTRUCTIONS

A. PANEL MODEL

1. This model should be installed into a closed duct system of at least 1.2m long or protected by an exterior air grille that must comply with the standard requirements of your country to prevent access to the fans impeller.
2. Either cut a 105mm diameter hole for 100mm fans or a 155mm diameter hole for 140mm fans.
3. Loosen the screw at the bottom of the grille and remove the front grille. Mark the screw centres through the holes in the fan back plate. Drill, plug and screw into position.
4. After installation, ensure impeller rotates freely and the shutters can open.

B. WALL MODEL

1. Either cut a 115mm diameter hole for 100mm fans or a 170mm diameter hole for 150mm fans, through the wall and insert the wall sleeve. Slope the sleeve slightly downwards away from the fan. Cut to length and cement both ends into position flush with the wall faces.
2. Loosen the screw in the bottom of the grille and remove the front grille. Mark the screw centres through the holes in the fan back plate. Drill, plug and screw into position. Fix exterior grille into position with the louvres positioned downwards (Note:- The grille must comply with the standard requirements of your country to prevent access to the fans impeller. The wall kit used in this installation should provide a minimum ducting length of 160mm from the fans back plate to the inside of the external grille).
3. After installation, ensure impeller rotates freely and the shutters can open.

WIRING INSTRUCTIONS

WARNING: ENSURE THAT THE MAINS SUPPLY IS SWITCHED OFF BEFORE MAKING ELECTRICAL CONNECTIONS.

The extraction fan is suitable for connection to 220-240V 50Hz supply. It is a class II double insulated product and **MUST NOT** be earthed.

The cross - sectional area of supply cord used should be ranged from 1 - 1.5mm²

Cable entry can only be made from the rear of the fan.

Electrical connections depend upon the type of fan being installed and the required mode of operation. After wiring is complete replace the grille, turn on mains supply and check operation.

A. BASIC FAN / SHUTTERED FAN TYPE

Single speed fan. Controlled by remote switch (e.g. light switch or auto sensor) Fig.2.

B. TIMER / SHUTTERED TIMER TYPE

Single speed with overrun timer. The fan must be wired to a lighting circuit switch. Fig.3.

When switched 'ON', the fan will operate at full speed and will continue to run for a pre-set time after the switch is turned 'OFF'.

TIMER ADJUSTMENT

BEFORE ADJUSTING THE TIMER, SWITCH OFF THE MAINS SUPPLY. TIMER SHOULD ONLY BE ADJUSTED BEFORE OR DURING INSTALLATION.

1. Remove the fan grille. The controller is factory set at 15 minutes approx. The overrun time period can be adjusted from 5-25 minutes by altering the adjuster on the control PCB.
2. To REDUCE the operating time, use a small screwdriver to turn the adjuster Fig.4. ANTI-CLOCKWISE.
3. To INCREASE the operating time, use a small screwdriver to turn the adjuster Fig.4. CLOCKWISE.
4. Replace the fan grille.

C. HUMIDISTAT / SHUTTERED HUMIDISTAT TYPE

The fan contains an integral humidity controller. In automatic mode the controller switches the fan on at full speed when the room Relative Humidity (RH) reaches the set-point. The fan will continue to run until the room RH falls below the set-point. Fig 5. These fans may also include a built in timer function. The timer can be activated by removing the jumper JP1, This will give the fan a fixed over run time of approx. 15 mins.

HUMIDITY SET-POINT ADJUSTMENT

BEFORE ADJUSTING THE CONTROLLER, SWITCH OFF THE MAINS SUPPLY. HUMIDISTAT SHOULD ONLY BE ADJUSTED BEFORE OR DURING INSTALLATION.

1. Remove the fan grille. The controller is factory set to switch on at about 70% RH. The humidity set point can be adjusted from 65-95%RH by altering the adjuster on the control PCB.
2. To LOWER the set-point use a small screwdriver to turn the adjuster Fig.5. ANTI-CLOCKWISE. This makes the controller MORE sensitive.
3. To RAISE the set-point use a small screwdriver to turn the adjuster Fig.5. CLOCKWISE. This makes the controller LESS sensitive.
4. Replace the fan grille.

NOTE! DO NOT TOUCH HUMIDITY SENSOR.

Shutter Operation

With the shuttered fan types the shutters will open immediately when the fan is turned on. The shutter will close immediately after the fan is switched off. The shutters are positioned at the rear of the product and cannot be seen from the front.



This product should not be disposed of with household waste. Please recycle where facilities exist. Check with your local authority for recycling advice.