

ROBUS[®]

QUALITY PRODUCTS BY LED GROUP

ROBUS GU10 240V Fire Rated Recessed fittings

RF201 fire rated downlight, straight
RF208 fire rated downlight, directional

Please read instructions before commencing installation and retain for future reference.

Specification:

Recessed downlight with pressed steel body and die cast aluminium front bezel with intumescent seals to give required fire rated ability, 30, 60 and 90 minute protection.

Model No:	RF201	RF208
Diameter:	91mm	106mm
Depth:	135mm	140mm
Cut-out	73mm	85mm
Weight:	0.25kg	0.34kg
Supply Voltage:	230/240V 50Hz	
Total Power (W):	50W	
Cap type:	GU10	
Operating Temp Range:	-10°C < ta < 40°C	
IP Rating:	20	
Safety Classification:	Class I Must be Earthed	
Warranty:	2 Years	

Suitable for mounting on normally flammable surface
Minimum distance from illuminated object is 0.5 metre
Complies with BS EN60598, BS5250, BS476 Parts 20, 21 & 23

Installation:

!Electrical products can cause death or injury, or damage to property. If in any doubt about the installation or use of this product, consult a competent electrician.

- 1 Ensure mains supply is switched off before commencing work.
- 2 Mark ceiling with appropriate cut-out size.
- 3 Before cutting, ensure that the hole does not impinge on joists, pipe work, cables or other building services.
- 4 Ensure there is at least 100mm of free space around and 50mm above the luminaire. Do not cover the luminaire with thermal insulation. Place transformer 300mm from luminaire to avoid overheating.
- 5 Connect supply cables Live(Brown), Neutral(Blue) and Earth(Yellow/Green) to the junction box.
- 6 Hold retention spring vertically against body of the fitting, push fitting through the cut-out until the springs come down on the upper side of the plasterboard. Ensure that the fitting is secure and the bezel is tight against the ceiling.
- 7 Lamp installation and replacement:

!Ensure mains supply is off. !When operating the luminaire is too hot to touch. Switch off and allow to cool before undertaking any maintenance work.

RF201 & RF208: twist bezel inner ring anticlockwise to unlock, unclip the lamp from the retaining spring at the back of the ring, hold lamp holder firmly, twist anti-clockwise remove lamp.

Replace lamp in lampholder and clip, twist bezel inner ring clockwise to lock.

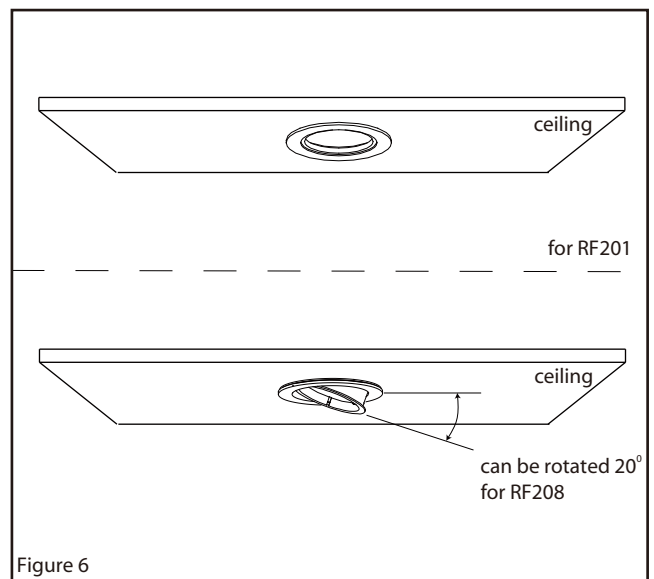
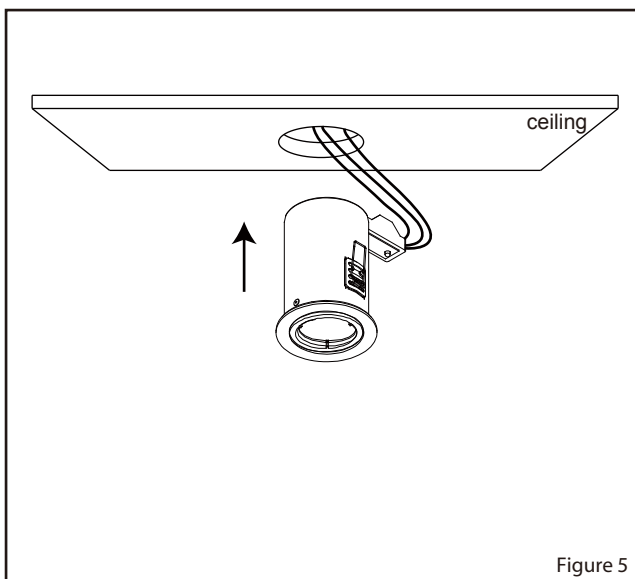
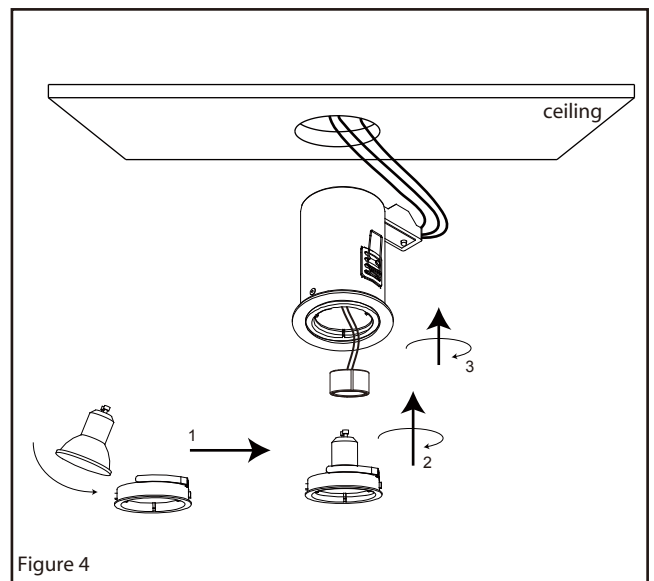
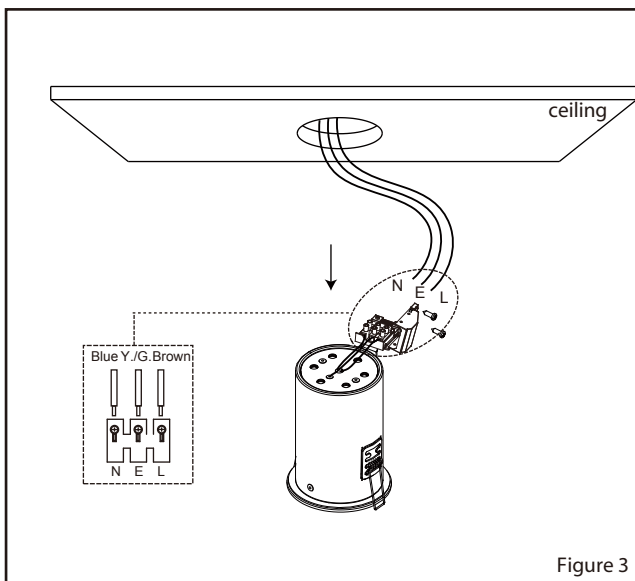
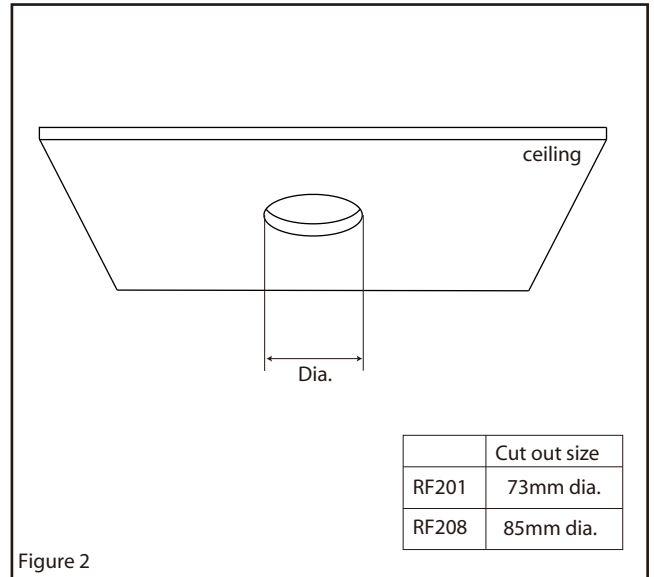
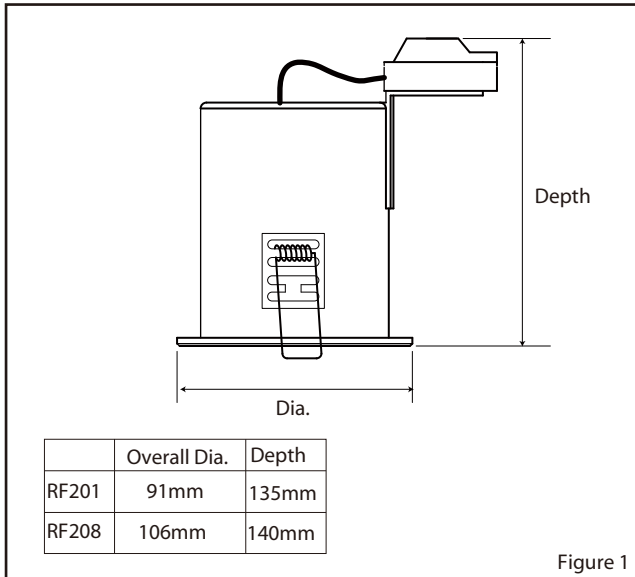
Note:

Product technical information and specification may change over time without prior notification. For the latest technical information please visit our web site www.ledgrouprobust.com or www.robustdirect.com

Information for the Product user

1. Please note the requirement to dispose of Waste Electrical & Electronic Equipment separately from household waste (WEEE marked with crossed out wheelie bin symbol).
2. Please consider your role in contributing to re-use and recycling by returning this product at end of life to a collection centre for waste electrical equipment or a Civic Amenity site, or to a retail outlet from which you are purchasing a replacement.
3. This equipment may contain substances that are hazardous to health and the environment if disposed of carelessly. It is important that it is separated from normal household waste and recycled in the WEEE chain
4. The "crossed out wheelie bin symbol" on a product indicates this equipment must not be disposed of in normal household waste, but should be disposed of according to local WEEE regulations

Installation diagram:



The Installation must be carried out by an electrician

LED Group
 Western Retail Park
 Nangor Road
 Dublin 12
 Ireland

Tel: +353 1 7099000
 Fax: +353 1 7099060
 Email: info@led.ie
 Website: www.led.ie

