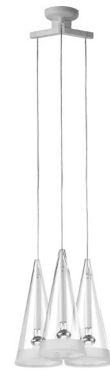


FLOS

FUCSIA 3

Mounting	Pendant
Type of ceiling pendant	Suspension cable
Lamps description	3 x 28W E14 HSGSR or 3 LED 4W E14 360lm 2700K
Environment	Indoor
Finish	Glass
Technical description	Suspension lamp providing direct light. 3 hand blown glass conical diffusers with sandblasted edges. Injection-molded, opaline silicone diffuser protection rings. Gloss white powder-coated tubular steel bodies. Ceiling rose assembly consisting of 3 white painted, die-cast aluminum arms. Rose consisting of ceiling fitting and 30% fiberglass reinforced polyamide cover, both injection-molded.



Fucsia 3

designed by Achille Castiglioni

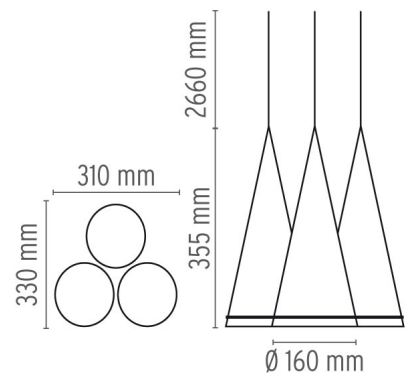
Suspension lamp providing direct light

ELECTRICAL

Emergency	Without
Voltage (V)	230

F2411000 Glass

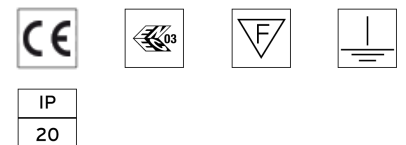
DIMENSIONS



PHYSICAL

Supply	Terminal block
Cord length (mm)	2660
Construction material	Glass, Silicone, Steel
Weight (kg)	2.5
Minimum distance from illuminated object (mm)	300

CERTIFICATIONS



Fucsia 3 . Lamps



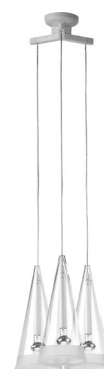
FUCSIA 28W E14 HSGSR

Lamp wattage:
28 W

Lamp category:
Incandescent

Socket:
E14

Lamp type:
HSGSR



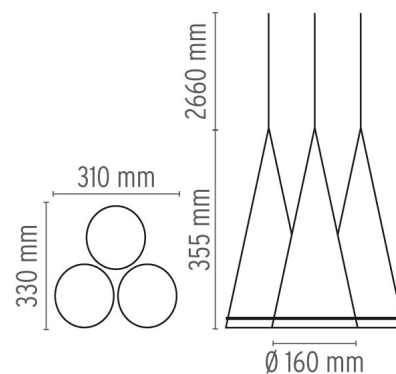
Fucsia 3

designed by Achille Castiglioni

Suspension lamp providing direct light

F2411000 Glass

DIMENSIONS



CERTIFICATIONS



IP
20