

LEDstat

Product Photo / Diagram 1



Technical Features:

- Designed to control mains dimmable LED lamps or luminaries.
- Dims up to 100W of LED lamps in trailing edge mode:
 - 20 x 5W = 100W.
 - 16 x 6W = 96W.
 - 14 x 7W = 98W.
- In Leading Edge mode the maximum capacity decreases by 25%.
- **MAX 75W Leading Edge.**
- **MAX 100W Trailing Edge.**
- Minimum load down to 5W of load, such as LED, CFL (compact fluorescent light bulbs) & MV (Mains Voltage) halogen bulbs.
- Soft start feature helps extend lamp life.
- Manually select dimmer mode (Leading or Trailing edge).
- Set minimum light level via the potentiometer.
- Can be used as part of a multi-way dimming operation allowing you to switch and dim the lights from multiple points via Hamilton retractable switches or toggles.
- Available in 1 to 4 gang plate options on all Hamilton plate ranges and finishes.
- Electronic ON/OFF Auto Detect - Intelligent Dimmer Module.
- Built in thermal overload protection.
- Designed to fit in a 35mm BS4662:2006 flush wall box.

H-LED-STAT

Electronic On/OFF Auto Detect Intelligent Dimmer Module.

Primary Range	Dimming
Terminals	Switch input, Live, Load
Input Rated Voltage	230-240V AC ~ 50Hz
Capacity – Minimum Load	5W
Capacity – Maximum Load	100W Trailing Edge 75W Leading Edge
Input Voltage Tolerance	+5% - 10%
Nominal Frequency	50Hz
Nominal Power Consumption	<0.5W@ Standby Mode
No. Of Operation Modes	2 Operation Modes Trailing Edge = 100W Leading Edge = 75W
Ambient Temperature Range	0°C to +70°C
Operating Position	Wall Mounted
Surge Voltage	+/- 1KV AC
Contact Gap Minimum	(ε) Electronics Control
Dimensions (mm)	24.5 (W), 62 (L), 23 (H)
Standard & Approval	BS EN 60669 – 2 – 1

Please dispose of electronic equipment responsibly.





The device is designed for single-phase installation, and must be installed in accordance with applicable UK and European standards. The device should be connected according to the connection diagram (diagram 2) in this operating manual. Installation, connection, and setup should be carried out by a qualified electrician. DO NOT disassemble device as it may cause an electric shock and will invalidate the guarantee. Before installation, ensure the mains power is isolated and connection cables are not live.

For technical support contact us via:

Post: Hamilton Litestat Customer Services, Quarry Industrial Estate Mere, Wiltshire, BA12 6LA.

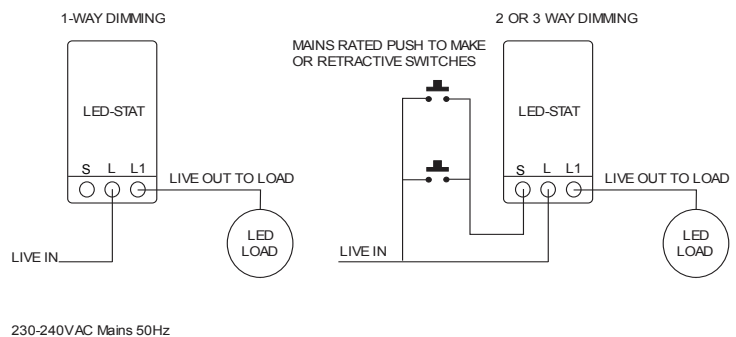
Web: www.hamilton-litestat.com, Email: technical@hamilton-litestat.com

IMPORTANT – PLEASE READ BEFORE INSTALLATION:

1. Isolate the mains supply.
2. Remove the retaining screws and carefully withdraw accessory from wall box to reveal connections at rear.
3. Check that no mains voltage is present within existing accessory by use of 240 volt test-lamp (if available).
4. Disconnect all cables noting their respective connections.
5. Bend back the top and bottom wall box mounting lugs if present.
6. Ensure the wall box is free from dust and debris.
7. Connect accessory – see connection Diagram 2.
8. Check all connections thoroughly.
9. Mount accessory, taking care not to trap any cables beneath plate fixing screws. Do not over-tighten the fixing screws. This may cause damage which could invalidate the warranty.
10. Switch on mains supply at fuse box and check operation of accessory.

Connection (Diagram 2).

Model : H-LED-STAT



Number of dimmer switches per plate	Nominal plate size (mm)	MAX Loading per plate (Trailing Edge)	MAX Loading per plate (Leading Edge) -25%
1	88 x 88	100W	75W
2	88 x 88	200W	150W
3	86x 146	300W	225W
4	86 x 146	400W	300W

Loading:

The LEDstat intelligent dimmer can control up to 100W of the following lighting types:

- Incandescent lamps.
- Mains halogen.
- Mains directly dimmable LED lamps.
- Mains directly dimmable CFL lamps.
- Dimmable LV electronic transformers.

Initial Start Up Settings:

The following instructions are to enable the first time set up or when the dimmer has been disconnected from the mains supply (e.g. power cut). We recommend that all lamps in the circuit are of the same type and manufacturer.

Icons indicate when the dimmer needs your input.



Switch on dimmer on by pushing control knob

Allow dimmer to go through auto detect cycle. The light levels will raise and lower **AUTOMATICALLY**.



When complete the dimmer will either emit one long audible beep or three beeps, depending on load type.

Dimmer will **AUTOMATICALLY** power off.



Turn dimmer on by pushing the control knob.



Turn control knob clockwise to raise lighting level.



At full light level dimmer emits beep.



Turn control knob anticlockwise to lower to minimum setting



At lowest level the dimmer will emit an audible beep.

Manually Setting Minimum Light Level:

Should you not be happy with the minimum light level, this can be manually adjusted by the following procedure.



With dimmer in the OFF POSITION press and hold the knob continuously

Dimmer will come on and rise to full light level, then light level will lower and lamps will go out.



Immediately turn the knob clockwise. The lamps will come back on. Adjust to required minimum lighting level



Once your desired minimum brightness level is achieved. Push the dimmer knob once to store the setting. Lamps will turn off:
This action **EXITS** the manual programming mode.



See an installation video on YouTube Video by searching for **Hamilton LEDSTAT.**

LEDSTAT Trouble Shooting

Fault:

1. The lights do not come on:

The dimmer module may be incorrectly wired, require resetting or have been overloaded.

- a. Please check the module is correctly wired and ensure there are no short circuits. The dimmer has short circuit protection and will buzz repeatedly if a short circuit is detected.
- b. Please reset the dimmer module. Disconnect and reconnect the mains supply to the lighting circuit at the consumer unit or fuse box by switching off the appropriate MCB or RCBO for a minimum of 5 seconds.
- c. If the dimmer seems unusually warm it may have been permanently damaged due to overloading. Please refer to troubleshooting for “The dimmer plate is getting usually hot” before replacing the dimmer.
- d. If none of the above is successful please refer to your Hamilton supplier or electrical contractor.

2. The lamps flicker.

The dimmer module may be operating in the wrong mode, possibly following a power cut or interruption to the mains supply.

- a. Please disconnect and reconnect the mains supply to the lighting circuit at the consumer unit or fuse box by switching off the appropriate MCB for a minimum of 5 seconds. The dimmer should then auto detect the dimming mode next time it is operated.
- b. If this is not successful the dimming mode may need to be set manually. Please refer to “Manually setting minimum light level” on page 3 in the user guide.
- c. The lamps may not be fully compatible with the dimmer module. Please consult your Hamilton supplier or contractor.

3. The dimmer plate is getting unusually hot.

Please note all dimmer modules generate some heat as a small amount of the energy used is dissipated by the module. Up to 40°C (60°C for a plastic plate) above ambient temperature is considered acceptable under EN BS 60669-2-1.

- a. Ensure the load is below the recommended maximum (100w for trailing edge mode, 75w for leading edge mode).
- b. Some older leading edge LED lamps and drivers have a very high inrush current which may require the dimmer to dissipate excessive heat. In this case you may need to reduce the number of fittings or change the lamp and/or driver.

For further technical support please visit our website: www.hamilton-litestat.com

Maintenance:

No decorative, abrasive or domestic cleaning products should come into contact with the accessory (further information is available on request).

- It should not be used in areas of high humidity (bathrooms etc.), nor within reach of a water source.
- This equipment should be connected to a mains supply of the appropriate voltage (indicated on the product).
- Care should be taken not to overload the equipment maximum amperage (indicated on the product/packaging).

If you are unsure consult a qualified electrician before installation. No liability can be accepted if the product is installed or used in any other way than for which it is designed.

DISCLAIMER:

This equipment is intended for domestic use only. It must be installed in accordance with the supplied fitting instructions. It should be fixed in the approved and conventional way to a suitable wall box that conforms to BS 4662:2006.

No decorative, abrasive or domestic cleaning products should come into contact with the accessory (further information is available on request).

It should not be installed or used in areas of high humidity (bathrooms etc.), nor within reach of a water source. It should be installed in a dust free environment.

This equipment should be connected to a mains supply of the appropriate voltage (indicated on the product).

Care should be taken not to overload the equipment maximum amperage as indicated on first page of these instructions.

No liability can be accepted if the product is installed or used in any other way than for which it is designed.

GUARANTEE (Applies to UK and Eire):

This accessory is guaranteed against faulty workmanship or materials for a period of twelve months and will be repaired or replaced free of charge on condition that it is returned to Customer Services Dept, and that: (See notes a - e below :)

- a) The accessory has not been overloaded or connected to a supply other than 230/240 volts 50Hz.
- b) The installation procedure has been carried out correctly.
- c) The accessory has not been taken apart or repaired by any unauthorised person.
- d) The Bill of Sale (dated) accompanies the accessory for repair or replacement.
- e) The product has not been exposed to decorative or cleaning materials.

This guarantee does not affect the statutory rights of the consumer. In no circumstances can the company accept responsibility for any consequential loss or damage said to arise from the use of this product.

The electrical inserts used on these accessories are manufactured in accordance with the relevant British and European Standards where applicable.

CUSTOMER SERVICES DEPT.

Quarry Industrial Estate, Mere,

Wiltshire BA12 6LA

(Tel: 01747 860088)

All accessories are manufactured under an accredited BS EN ISO 9001:2008 Quality Management System.

E&OE

All products listed conform to current British or European standards and the product information is correct at the time of going to press.	It is the policy of the company to continually improve products as part of our development programme. Therefore, we reserve the right to alter designs and dimensions without prior notice.	All accessories are manufactured under an accredited BS EN ISO 9001: 2008 Quality Management System.
Illustrations and diagrams are reproduced within the limitations of reproductions and printing processes, and are not binding.	Due to manufacturing processes we cannot guarantee an exact colour match and shadings of certain plate and product finishes.	Correct as at February 2014 E&OE File Reference: HLEDSTAT2014 Rev A

Please note removal of LEDstat module from supplied plate will void warranty.