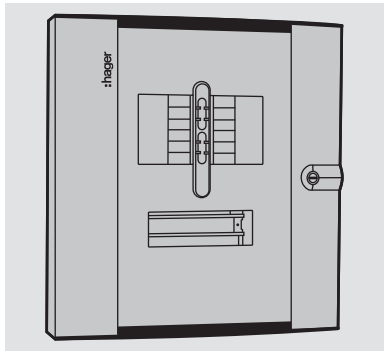
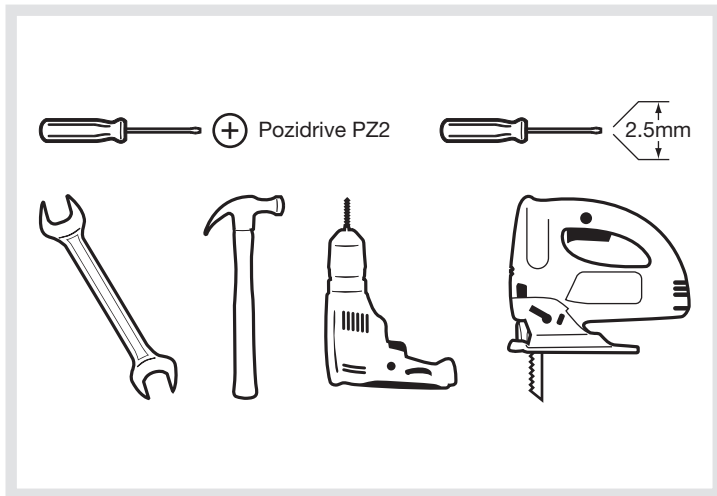


GB JK1***B
JK2***B

Notice d'instructions
User instructions
Bedienungsanleitung
Instrucciones de uso
Instruções
Bruksanvisning
Gebruiksaanwijzing



Invicta 3



All product(s) must be installed by a suitably competent electrician giving consideration to their intended use and in accordance with the current edition of BS 7671 (IET Wiring Regulations).

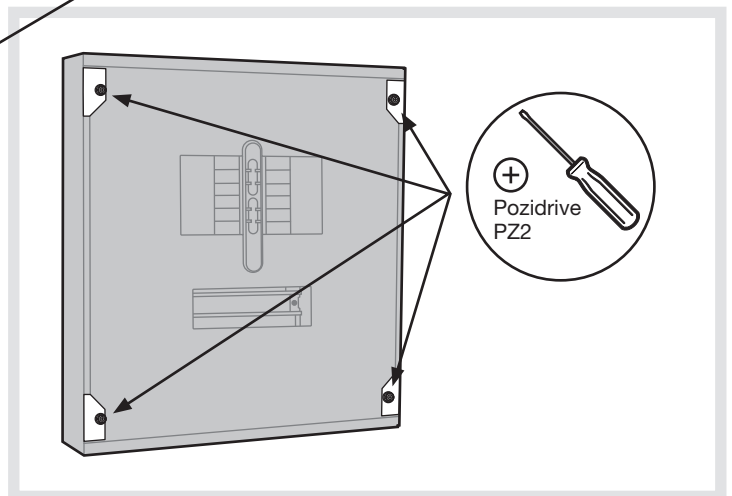
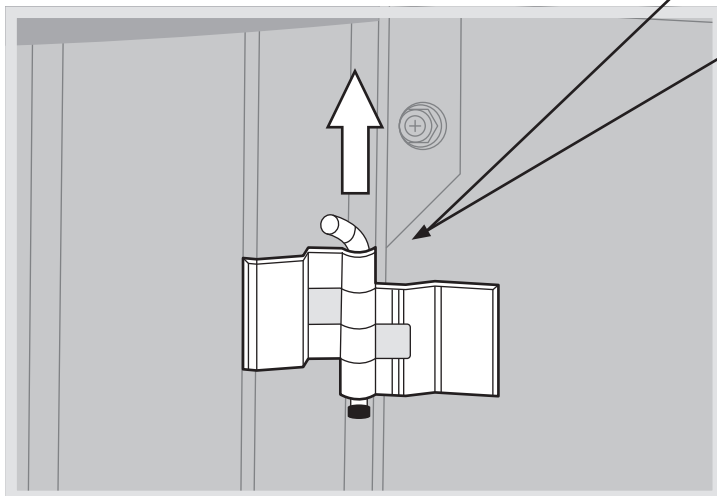
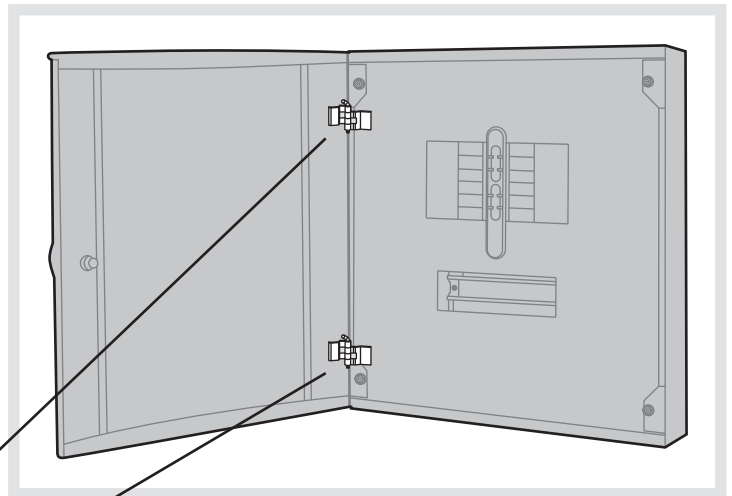
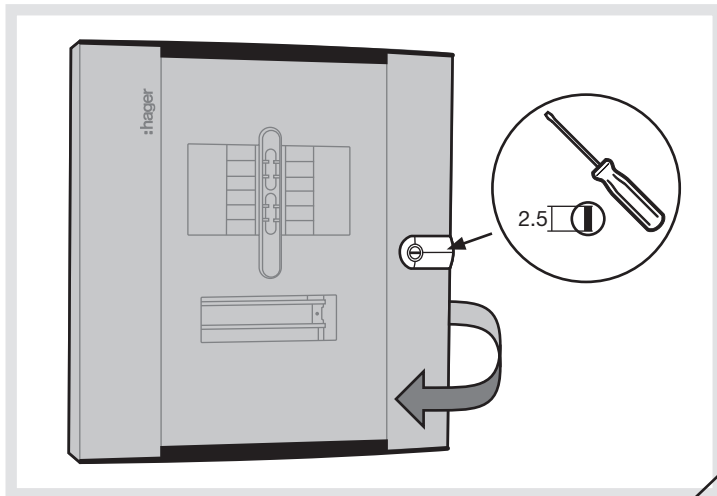
The Electricity at Work regulations and the Health and Safety at Work Act shall be complied with.

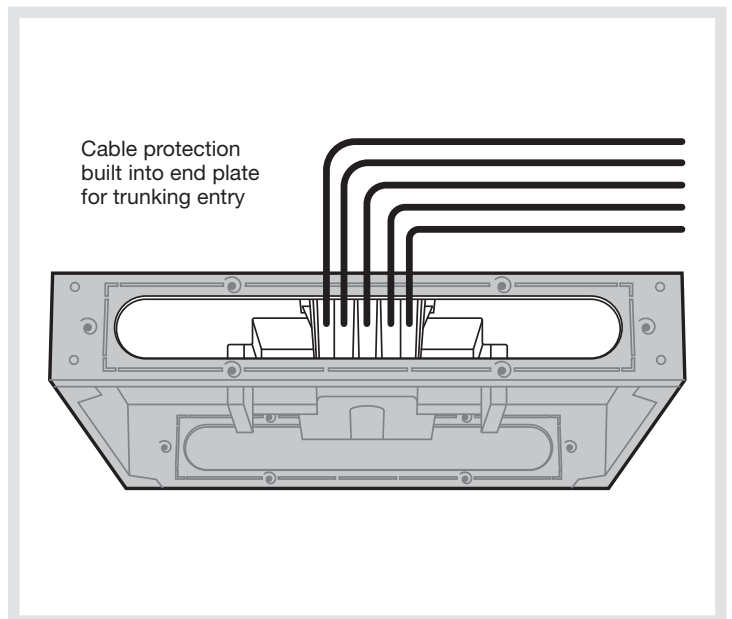
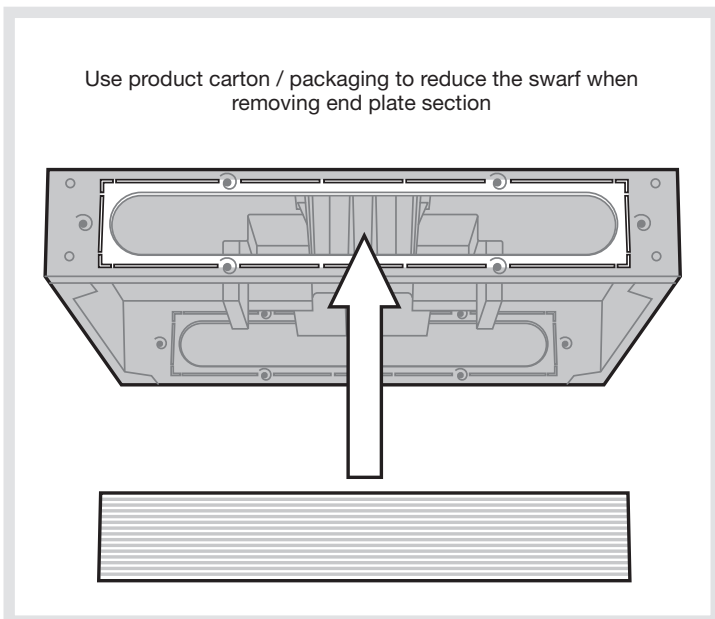
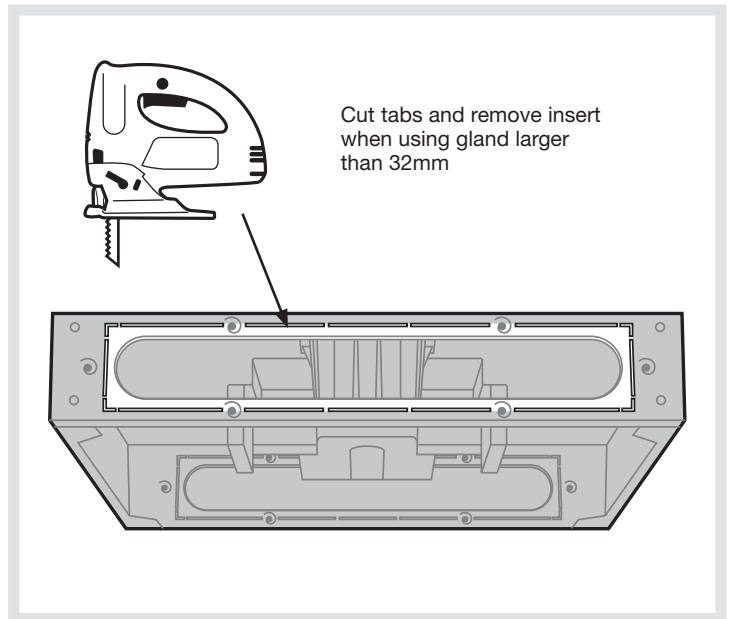
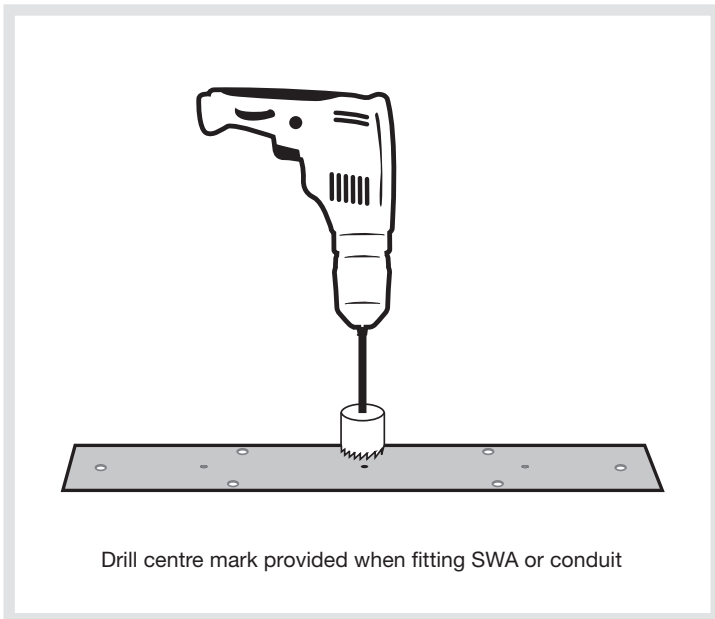
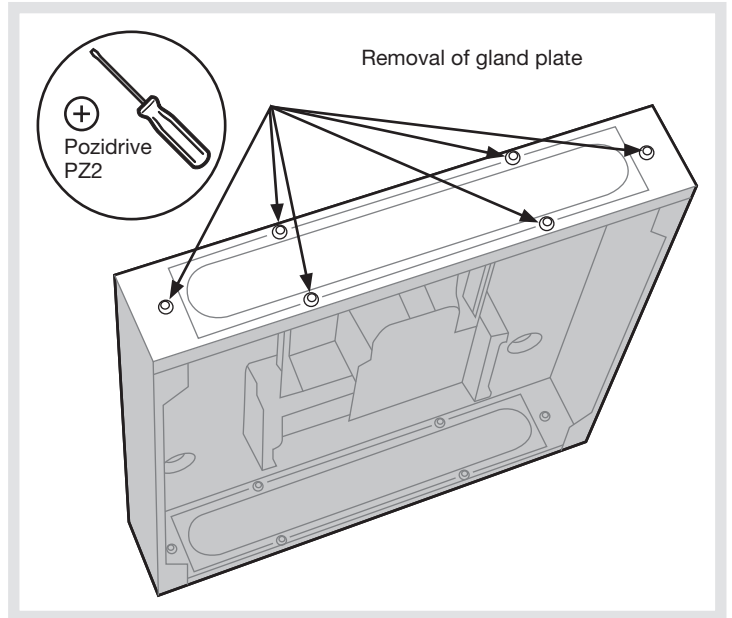
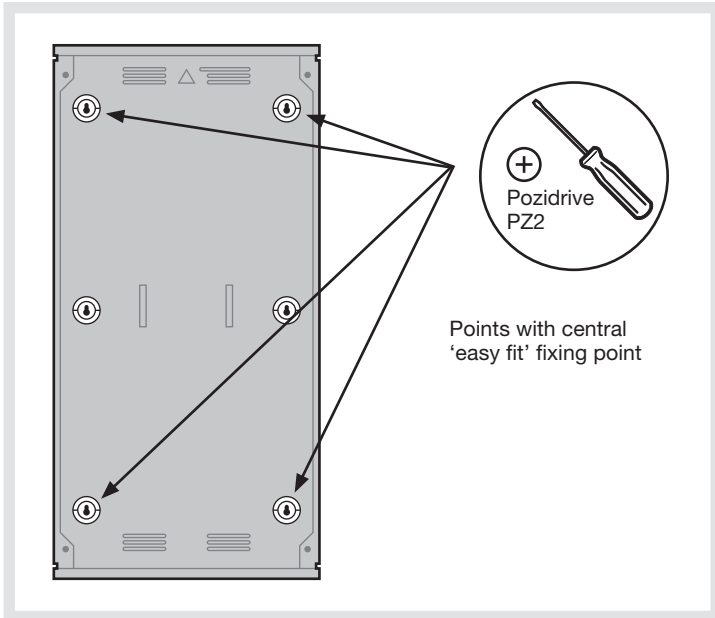
Only equipment and arrangements specified in Hager's technical documentation / catalogue shall be used

Install in the vertical plane only.

Notice:

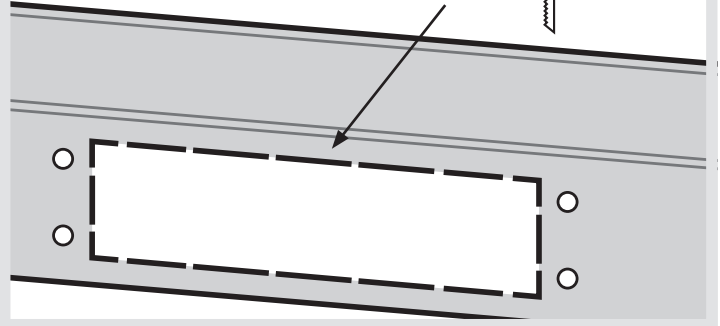
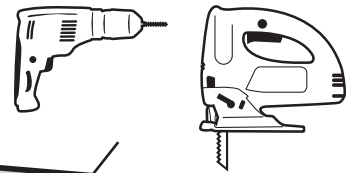
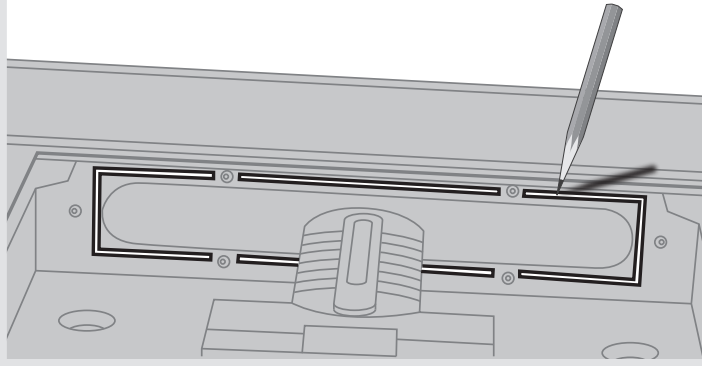
To prevent potential overheating from loose connections the installer shall check connections are tightened to the torque levels stated in these instructions prior to energising this board. This check should include factory made connections which may have loosened in transit.



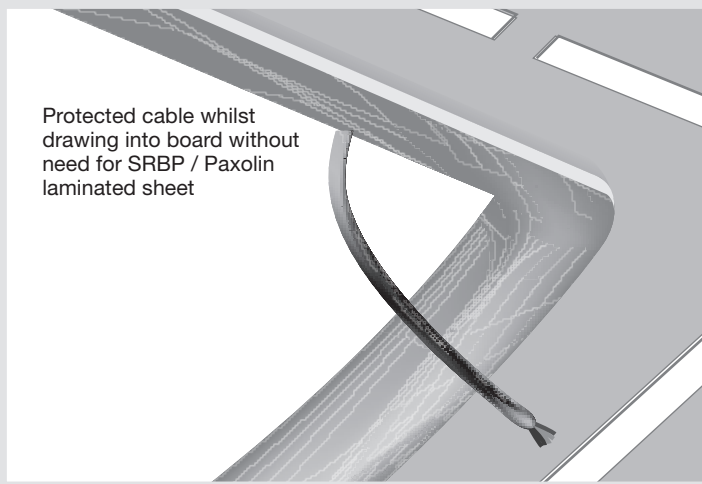




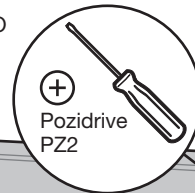
When fitting to trunking, use the endplate cut-out lines as a template for the hole in the trunking



Protected cable whilst drawing into board without need for SRBP / Paxolin laminated sheet

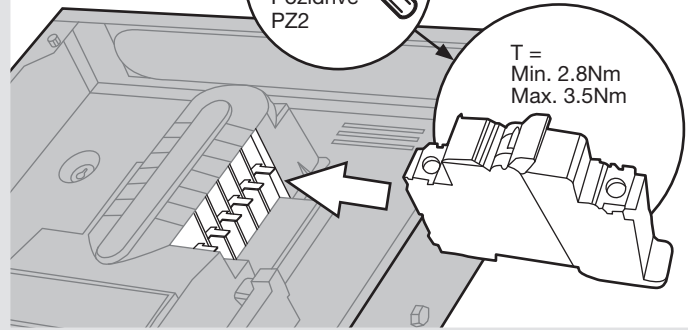


Fitting MCB / RCBO

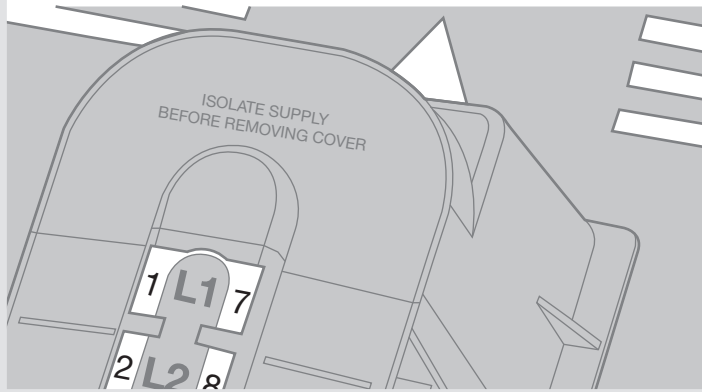


⊕
Pozidrive
PZ2

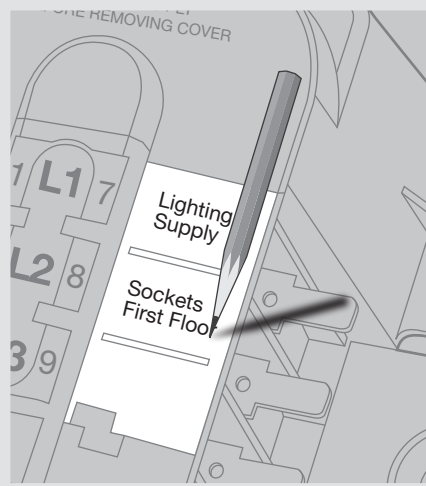
T =
Min. 2.8Nm
Max. 3.5Nm



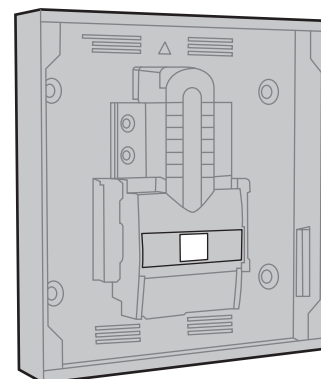
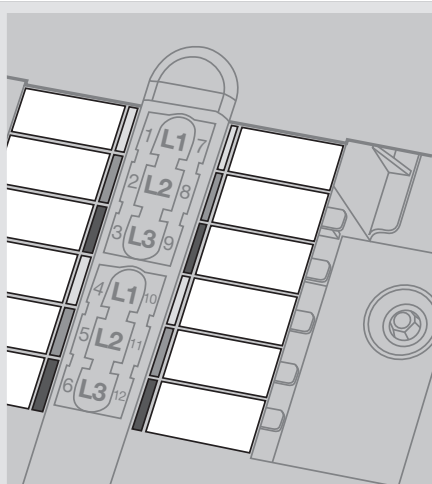
Ability to number outgoing ways on busbar stack



Ability to write on with pencil when installing.



Dedicated label pack for front cover way labelling



Meter kits fit directly into the main board.
See overleaf for list of meter kits.



Interface Characteristics

Rated & operational voltage (U_n / U_e)

415V a.c. 50Hz

Rated insulation voltage (U_i)

690V a.c. 50Hz

Rated impulse withstand voltage (U_{imp})

4kV

Rated current of the Assembly (I_{nA})

JK1xxx 125A¹

JK2xxx 250A¹

¹or rating of incoming circuit / incomer kit whichever is lower

Rated current of an Outgoing circuit (I_{nc})

MCB 0.5A - 63A (marked rated current on device)

RCBO 6A - 50A (marked rated current on device)

Rated conditional short-circuit current of the ASSEMBLY (I_{cc})

10kA¹ with equipment and arrangements specified in Hager's technical documentation / catalogue.

MCB/RCBO 10kA rating applied as BS EN 61439-3 is intended for use by ordinary persons.

¹Current limitation characteristics specified in Hager's technical documentation / catalogue

Protection against electric shock

DBO shall be installed in an electrical system conforming to IEC 60364 / BS 7671

Rated diversity factor (RDF) / Values of assumed loading

4 way = 0.7

6 way - 8 way = 0.6

10 way - 24 way = 0.5

Note: RDF only applies to continuously and simultaneously loaded circuits.

Rated frequency (fn)

50 Hz

Pollution degree

2

Types of system earthing for which the ASSEMBLY is designed

TNC-S, TN-S and TT when installed in an electrical system conforming to BS 7671

Intended locations

Indoor use only

Stationary ASSEMBLY

Degree of protection

IP3XD with Door Closed

IP2XC with Door Open and compliment of outgoing devices and or blanks fitted.

Intended use

Distribution boards intended to be operated by ordinary persons (DBO)

Electromagnetic compatibility (EMC) classification

EMC Environment B

External design

Wall-mounted, surface type, enclosed assembly.

Mechanical impact protection

IK05

The type of construction

Fixed parts

DBO Type

Type B DBO

Warranty

This distribution board is offered with a 24 month warranty against defective material or manufacture. If a warranty claim is necessary, please call the technical support number given at the bottom of the page and we will be pleased to help.

Designation	H	W	D	Weight (kg)
JK104B/BG	500	465	132.5	11
JK106B/BG	550	465	132.5	12
JK108B/BG	625	465	132.5	14
JK112B/BG	850	465	132.5	16
JK116B/BG	950	465	132.5	19
JK118B/BG	1100	465	132.5	20
JK124B/BG	1250	465	132.5	22
JK208B/BG	950	465	165.5	14
JK212B/BG	1100	465	165.5	16
JK216B/BG	1250	465	165.5	20
JK218B/BG	1400	465	165.5	21
JK224B/BG	1550	465	165.5	23

JK1 Incomer Kits

Cat ref.	No of Poles	Description
JK11003S	3	Switch Disconnecter 100A
JK11004S	4	Switch Disconnecter 100A
JK11253S	3	Switch Disconnecter 125A
JK11254S	4	Switch Disconnecter 125A
JK10634C	4	Contactora 63A
JK11004C	4	Contactora 100A
JK11254D	4	125A Direct Connection
JK10634RH	4	RCCB 63A 30mA
JK11004RH	4	RCCB 100A 30mA
JK11004RL	4	RCCB 100A 300mA
JK11004RLD	4	RCCB 100A 300mA (Time Delayed)
JK11004RM	4	RCCB 100A 100mA
JK11004RMD	4	RCCB 100A 100mA (Time Delayed)
JK11254CO	4	Changeover Switch 125A

Meter Kits

Cat ref.	Description
JK140MP	Digital Multi Function Meter Pack Pulsed
JK140MJ	Digital Multi Function Meter Pack Modbus
JK240MP	Digital Multi Function Meter Pack Pulsed
JK240MJ	Digital Multi Function Meter Pack Modbus
JK107DL	7 Input Data Logger with TCP/IP

JK2 Incomer Kits

Cat ref.	No of Poles	Description
JK21003S	3	Switch Disconnecter 100A
JK21004S	4	Switch Disconnecter 100A
JK21253S	3	Switch Disconnecter 125A
JK21253MC	3	MCCB 125A
JK21254MC	4	MCCB 125A
JK22503MC	3	MCCB 250A
JK22504MC	4	MCCB 250A
JK22503S	3	Switch Disconnecter 250A
JK22504S	4	Switch Disconnecter 250A
JK22504D	4	250A Direct Connection
JK21604C	4	Contactora 160A

Accessories

JK250SP	250A Single Phasing Kit
JK01B	Single Pole Blank
JK222PK	JK1 / JK2 Door Lock Kit
JK1PLATEM	Gland Plate + Drill Markings
JK2PLATEM	Gland Plate + Drill Markings