

LAMP REPLACEMENT:

LED product is sealed and non replaceable.

BATTERY REPLACEMENT:

If after routine operation check, the lamp does not remain lit for the three hour period, a new battery pack may be required.

- 1) Switch off the electricity at the mains and allow batteries to fully discharge then reconnect to supply and allow charging for 24 hours.
- 2) Test again for 3 hours, if light does not remain lit, then change the battery pack as follows:
- 3) Unplug the battery plug lead from the socket and re-plug the new battery.
- 4) Restore power and allow charging for 24 hours.
- 5) Perform full operation check and update test record.

REPLACEMENT BATTERY TYPE:

4.8V SC1800mAh Ni-Cad - 4 x C Cell.

EVENTUALLY, YOU MAY WANT TO REPLACE THIS PRODUCT:

Regulations require the recycling of Waste from Electrical and Electronic Equipment (European "WEEE Directive" effective August 2005—UK WEEE Regulations effective 2nd January 2007). Environment Agency Registered Producer: WEE/GA0248QZ.

WHEN YOUR PRODUCT COMES TO THE END OF ITS LIFE OR YOU CHOOSE TO REPLACE IT, PLEASE RECYCLE IT WHERE FACILITIES EXIST - DO NOT DISPOSE WITH HOUSEHOLD WASTE.



IF YOU EXPERIENCE PROBLEMS:

If you believe your product is defective, please return it to the place where you bought it. Our Technical Team will gladly advise on any Eterna Lighting product, but may not be able to give specific instructions regarding individual installations.

120104-SM



FOR PRODUCT ADVICE:

- T: 01933 673 144
- F: 01933 678 083
- E: sales@eterna-lighting.co.uk

Visit our website:

www.eterna-lighting.co.uk



INSTALLATION INSTRUCTIONS

A guide for qualified electricians



Pack contents:
1 x 3W LED downlight c/w inverter and battery pack
1 x Silver trim
1 x White trim
1 x Test record sheet

Model:

LDLEM3NM2T

3W LED Non Maintained Emergency Downlight

These instructions are provided as a guideline to assist you.

PLEASE READ THESE INSTRUCTIONS BEFORE INSTALLATION AND RETAIN FOR FUTURE REFERENCE

READ THIS FIRST:

Check the pack and make sure you have all of the parts listed on the front of this booklet. If not, contact the outlet where you bought this product.

As the buyer, installer and/or user of this product it is your own responsibility to ensure that this fitting is fit for the purpose for which you have intended it. Eterna Lighting cannot accept any liability for loss, damage or premature failure resulting from inappropriate use.

Switch off the mains before commencing installation and remove the appropriate circuit fuse or lock off MCB.

Use only with the driver/inverter provided. Do not connect directly to the mains.

This unit is suitable for indoor use only.

This product is designed for permanent connection to fixed wiring; this must be a suitable circuit (protected with the appropriate MCB or fuse).

Do not cover the fitting, battery and driver with any insulating materials.

The driver should be placed where it cannot come into contact with water or moisture.

This product is double insulated; do not connect any part to earth or the blue/brown wires to the earth terminal.

You are advised at every stage of your installation to double-check any electrical connections you have made. After you have completed your installation there are electrical tests that should be carried out, these tests are specified in the current IEE wiring and building regulations.

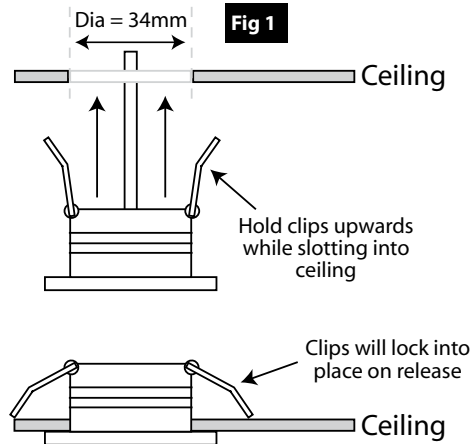
CLEANING:

Clean this product only with a soft dry cloth and do not use any chemical or abrasive cleaners.

INSTALLATION:

Choose the location for the new fitting taking the above points into consideration.

- 1) Mark the locations of your downlight and then using an appropriate hole cutter, make a 34mm diameter hole. See fig.1 below.
- 2) Prepare the route for the mains cable and feed through the hole and make the L & N connections to the input side of the driver/inverter.
- 3) Feed the driver/inverter through the hole, followed by the battery pack, which can lay adjacent to the hole.
- 4) Feed the excess cable through the hole and press the down light into position (see fig.1 below) until it is retained by the springs. The fitting may require some manipulation in order to pass through the hole. Do not enlarge the hole to make fitting easier.
- 5) Restore the power and check fitting is working correctly. The LED will illuminate green on normal operational mode, which indicates the fitting is charging. On mains power failure the LED will illuminate white light continuously for 3 hours minimum.



OPERATION CHECKS:

Periodic testing should be carried out monthly by simulating a failure of supply, causing the fitting to be energised from its battery. Interruption of the supply should be carried out by the operation of a local key switch or other isolation device. During this period all fittings should be examined visually to ensure that they are functioning correctly. At the end of the test period the supply shall be restored and all indicator lamps or devices checked to ensure that the normal supply has been restored.

The duration of the simulated failure shall be:-

Each month:

Isolate the power supply and check the light is illuminated. This test should last for no more than 45 minutes. Endorse the test record form supplied.

Every six months:

Isolate the power supply and check that the light is still illuminated after 1 hour.

Once each year:

Isolate the power supply and check that the light is still illuminated after 3 hours. Endorse the test record form.

Important notes:

Please keep this instruction booklet and test record sheet with all recorded test data in a safe place. A fire officer or other authorised person may want to see your record of inspection and testing.

WIRING DIAGRAM:

