

TECHNICAL DATASHEET

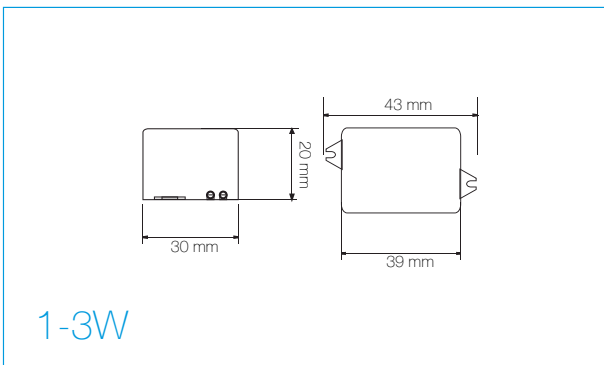
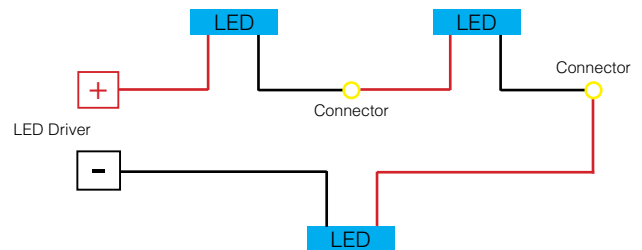
ADRCC350/1-3
350mA Constant Current LED Driver



PRODUCT FEATURES

- Preflexed Tails
- 1...3 PCS x 1W LED (350mA)
- Ideal Size for Concealment

SERIES WIRING REQUIRED



PRODUCT CODE	ADRCC350/1-3
Operating Voltage	220-240 V AC
Output Current	350mA
Output Voltage	3-12V DC
Operating Load	1....3 PCS X 1W LED (350mA) 1 PCS X 3W LED (350mA)
Temperature	-15~+45°C