

# ECO SLIMLINE CIRCULAR PANEL DOWNLIGHTS



ECO Circular Panels - the cost saving alternative to commercial fluorescent and residential lighting

- White aluminium
- Maintenance free panel- no lamp to replace
- Fast and easy installation
- Plug and play driver included
- Recessed installation

**3000K**  
WARM  
WHITE

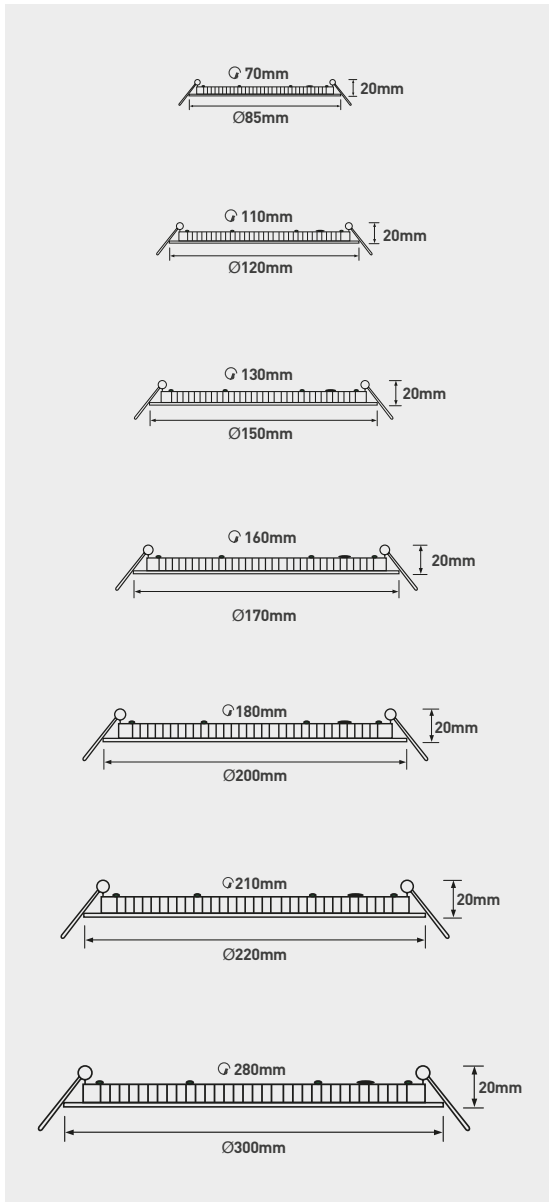
**4000K**  
NEUTRAL  
WHITE

**25,000**  
HOURS

BEAM  
ANGLE  
**110°**

**WHITE  
FINISH**  
RAL9016

CAT NO.	DRIVER	LUMINAIRE LUMENS	WATTAGE	EFFICACY Llm/W	COLOUR TEMP
ELP85W3L30	Standard	210	3W	70	3000K
ELP85W3L40	Standard	210	3W	70	4000K
ELP12W6L30	Standard	360	6W	60	3000K
ELP12W6D30	Dimmable	360	6W	60	3000K
ELP12W6L40	Standard	360	6W	60	4000K
ELP12W6D40	Dimmable	360	6W	60	4000K
ELP15W9L30	Standard	630	9W	70	3000K
ELP15W9D30	Dimmable	630	9W	70	3000K
ELP15W9L40	Standard	630	9W	70	4000K
ELP15W9D40	Dimmable	630	9W	70	4000K
ELP17W12L30	Standard	900	12W	75	3000K
ELP17W12D30	Dimmable	900	12W	75	3000K
ELP17W12L40	Standard	900	12W	75	4000K
ELP17W12D40	Dimmable	900	12W	75	4000K
ELP22W18L30	Standard	1530	18W	85	3000K
ELP22W18D30	Dimmable	1530	18W	85	3000K
ELP22W18L40	Standard	1530	18W	85	4000K
ELP22W18D40	Dimmable	1530	18W	85	4000K
ELP30W24L30	Standard	2040	24W	85	3000K
ELP30W24D30	Dimmable	2040	24W	85	3000K
ELP30W24L40	Standard	2040	24W	85	4000K
ELP30W24D40	Dimmable	2040	24W	85	4000K

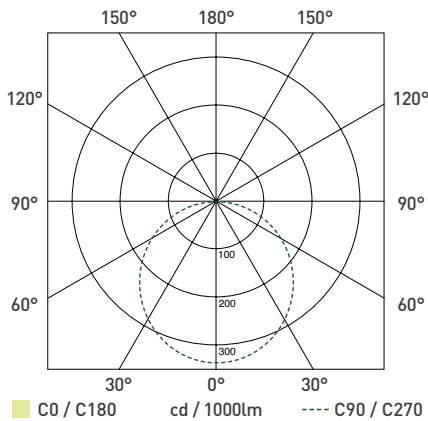


**ELP85W3L30-01**

**LUMINAIRE PERFORMANCE**

Light Output Ratio: 100%  
 Luminaire Efficacy: 70 lm/W  
 Light Distribution: A40 ↓99.0% ↑1.0%  
 CIE Flux Codes: 46 77 95 99 100  
 UGR 4H 8H (20%, 50%, 70%)C0 / C90: 22.2 / 22.4

**LUMINOUS INTENSITY**

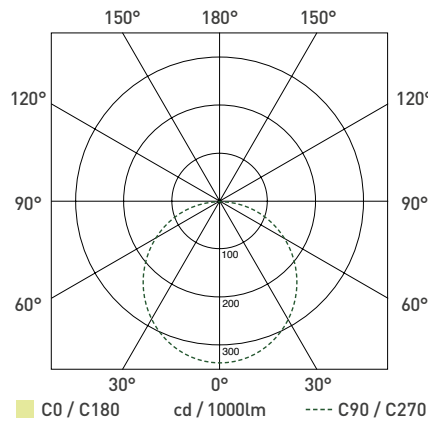


**ELP85W3L40-01**

**LUMINAIRE PERFORMANCE**

Light Output Ratio: 100%  
 Luminaire Efficacy: 70 lm/W  
 Light Distribution: A40 ↓98.9% ↑1.1%  
 CIE Flux Codes: 46 77 94 99 100  
 UGR 4H 8H (20%, 50%, 70%)C0 / C90: 21.8 / 20.0

**LUMINOUS INTENSITY**

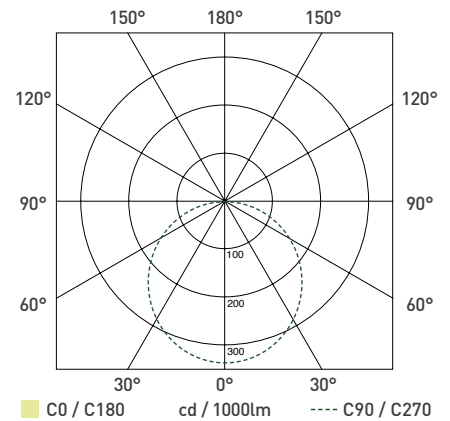


**ELP12W6L30-01**

**LUMINAIRE PERFORMANCE**

Light Output Ratio: 100%  
 Luminaire Efficacy: 60 lm/W  
 Light Distribution: A40 ↓99.0% ↑1.0%  
 CIE Flux Codes: 46 77 95 99 100  
 UGR 4H 8H (20%, 50%, 70%)C0 / C90: 24.7 / 24.8

**LUMINOUS INTENSITY**

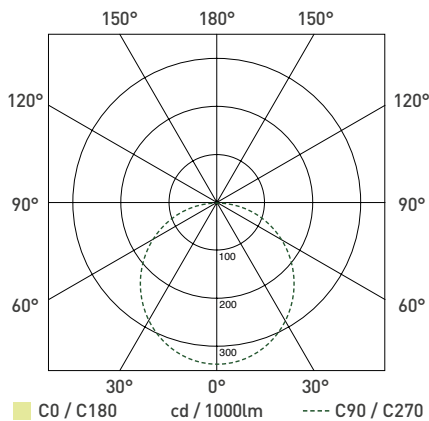


**ELP12W6L40-01**

**LUMINAIRE PERFORMANCE**

Light Output Ratio: 100%  
 Luminaire Efficacy: 60 lm/W  
 Light Distribution: A40 ↓99.0% ↑1.0%  
 CIE Flux Codes: 46 78 95 99 100  
 UGR 4H 8H (20%, 50%, 70%)C0 / C90: 24.8 / 24.9

**LUMINOUS INTENSITY**

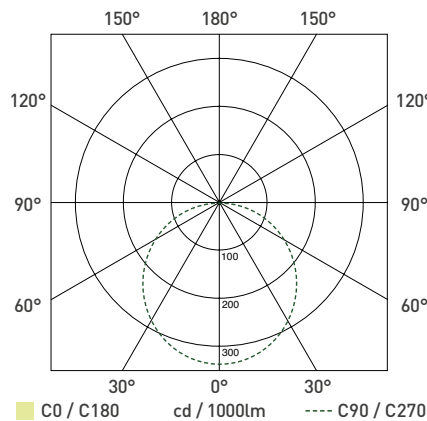


**ELP15W9L30-01**

**LUMINAIRE PERFORMANCE**

Light Output Ratio: 100%  
 Luminaire Efficacy: 70 lm/W  
 Light Distribution: A40 ↓99.0% ↑1.0%  
 CIE Flux Codes: 46 78 96 99 100  
 UGR 4H 8H (20%, 50%, 70%)C0 / C90: 25.0 / 25.2

**LUMINOUS INTENSITY**

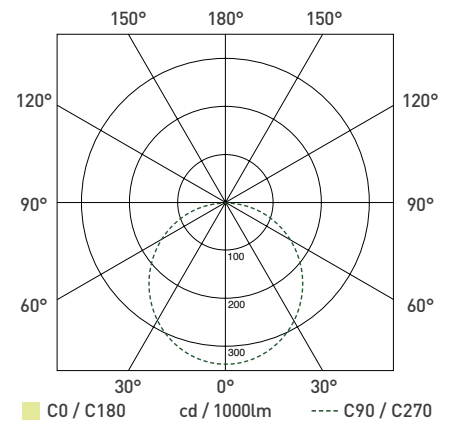


**ELP15W9L40-01**

**LUMINAIRE PERFORMANCE**

Light Output Ratio: 100%  
 Luminaire Efficacy: 70 lm/W  
 Light Distribution: A40 ↓99.0% ↑1.0%  
 CIE Flux Codes: 46 78 95 99 100  
 UGR 4H 8H (20%, 50%, 70%)C0 / C90: 25.1 / 25.2

**LUMINOUS INTENSITY**

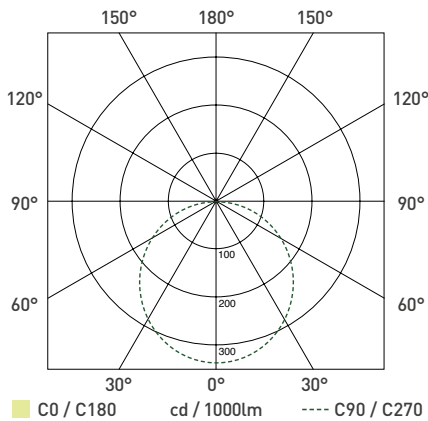


**ELP17W12L30-01**

**LUMINAIRE PERFORMANCE**

Light Output Ratio: 100%  
 Luminaire Efficacy: 75 lm/W  
 Light Distribution: A40 ↓99.0% ↑1.0%  
 CIE Flux Codes: 46 78 95 99 100  
 UGR 4H 8H (20%, 50%, 70%)C0 / C90: 25.3 / 25.6

**LUMINOUS INTENSITY**

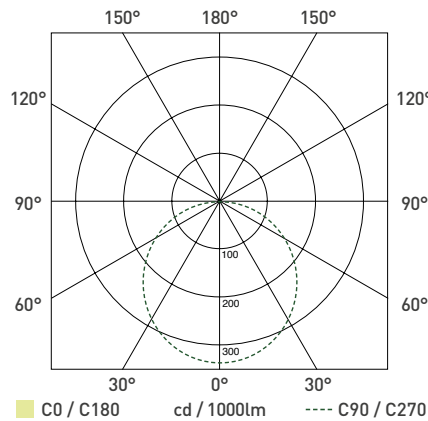


**ELP17W12L40-01**

**LUMINAIRE PERFORMANCE**

Light Output Ratio: 100%  
 Luminaire Efficacy: 75 lm/W  
 Light Distribution: A40 ↓99.0% ↑1.0%  
 CIE Flux Codes: 46 77 95 99 100  
 UGR 4H 8H (20%, 50%, 70%)C0 / C90: 25.5 / 25.5

**LUMINOUS INTENSITY**

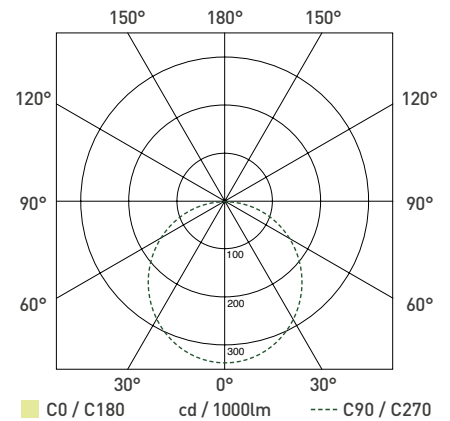


**ELP22W18L30-01**

**LUMINAIRE PERFORMANCE**

Light Output Ratio: 100%  
 Luminaire Efficacy: 85 lm/W  
 Light Distribution: A40 ↓99.0% ↑1.0%  
 CIE Flux Codes: 46 78 95 99 100  
 UGR 4H 8H (20%, 50%, 70%)C0 / C90: 25.6 / 25.5

**LUMINOUS INTENSITY**

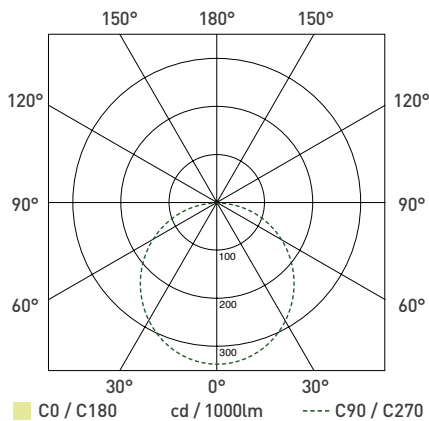


**ELP22W18L40-01**

**LUMINAIRE PERFORMANCE**

Light Output Ratio: 100%  
 Luminaire Efficacy: 85 lm/W  
 Light Distribution: A40 ↓99.0% ↑1.0%  
 CIE Flux Codes: 46 78 95 99 100  
 UGR 4H 8H (20%, 50%, 70%)C0 / C90: 25.5 / 25.5

**LUMINOUS INTENSITY**

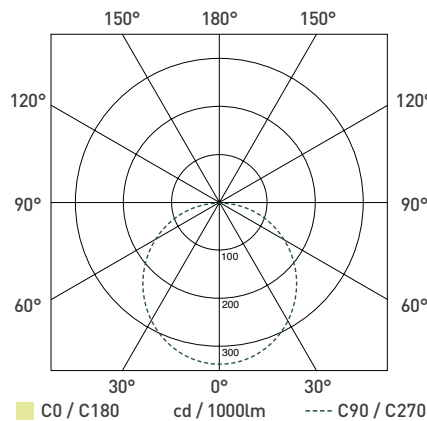


**ELP30W24L30-01**

**LUMINAIRE PERFORMANCE**

Light Output Ratio: 100%  
 Luminaire Efficacy: 85 lm/W  
 Light Distribution: A40 ↓99.0% ↑1.0%  
 CIE Flux Codes: 46 78 95 99 100  
 UGR 4H 8H (20%, 50%, 70%)C0 / C90: 24.3 / 24.4

**LUMINOUS INTENSITY**

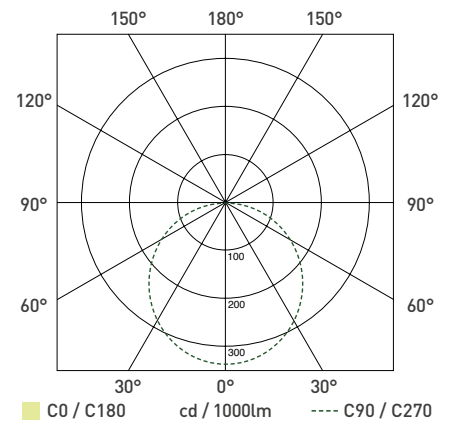


**ELP30W24L40-01**


**LUMINAIRE PERFORMANCE**

Light Output Ratio: 100%  
 Luminaire Efficacy: 85 lm/W  
 Light Distribution: A40 ↓99.0% ↑1.0%  
 CIE Flux Codes: 46 78 95 99 100  
 UGR 4H 8H (20%, 50%, 70%)C0 / C90: 24.3 / 24.4


**LUMINOUS INTENSITY**



**LUCECO**




This luminaire contains built-in LED lamps.



LED

The lamps cannot be changed in the luminaire.

874/2012 

**STANDARDS**

EN 60598-1	Luminaires - General requirements
EN 60598-2-2	Luminaires - Recessed
EN 55015	Limits and methods of measurement of radio disturbance characteristics of electrical lighting and similar equipment
EN 61547	Equipment for general lighting purposes - EMC immunity requirements
EN 61000-3-2	Electromagnetic compatibility (EMC) - Part 3-2: Limits - for harmonic current emissions
EN 62471	Photobiological safety of lamps and lamp systems
2002/96/EC	Waste Electrical & Electronic Equipment (WEEE)
2011/65/EU	Restriction of the use of certain Hazardous Substances in EEE (RoHS)
(EC) No 1907/2006	The Registration, Evaluation, Authorisation and Restriction of Chemicals (REACH)



RoHS



