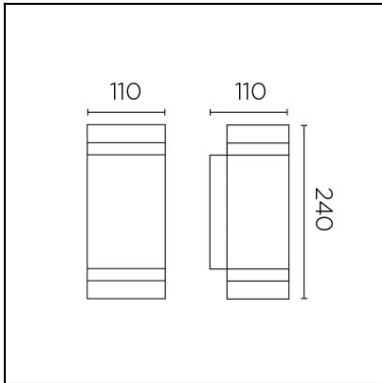


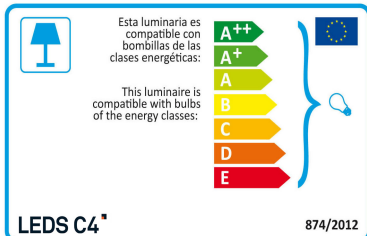
OUT 



The photograph may not match the reference exactly. Please read the product description to identify the finish.



[Download photometric file .ldt /.ies](#)



[Click on image to download energy label](#)

TECHNICAL CHARACTERISTICS

Type:	Wall fixture
IP Protection degrees:	IP54
Light source 1:	2 x GU10
Bulb specified at the product label	Max. 35W
Total power consumption (W):	100
Angle of the optics / Reflector:	
Voltage / Frequency:	220-240V/50-60Hz
Warranty:	2
Units per box:	4
Net Weight (Kg):	1.070
EAN Code:	8435111049822



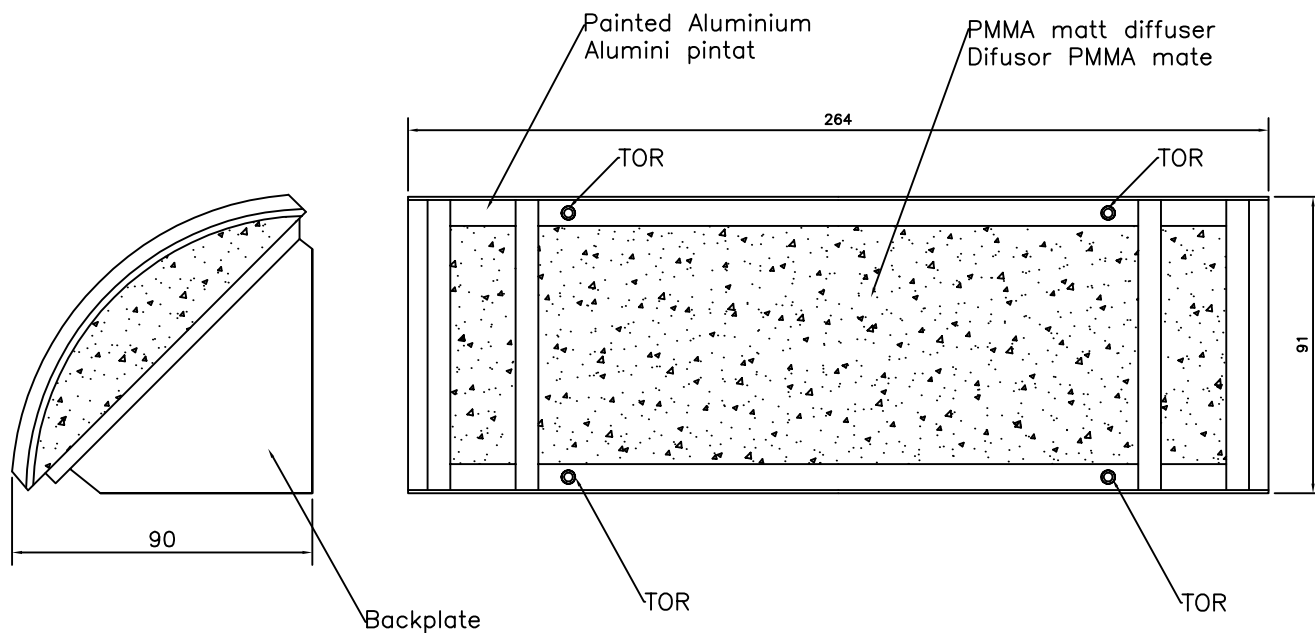
MATERIALS / FINISHES

Structure material: Injected aluminium

Diffuser material: Glass
Methacrylate

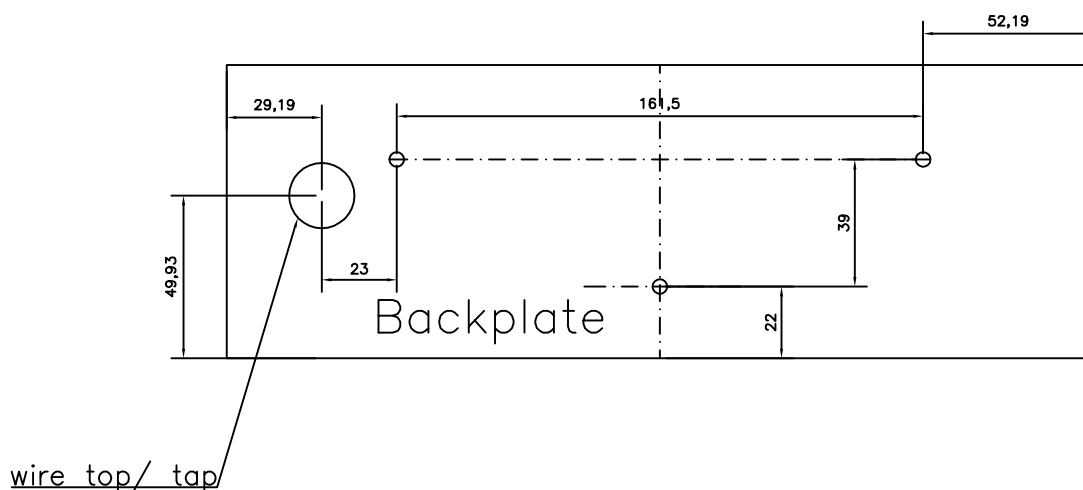
Structure finish: Oxide brown

Diffuser finish: Transparent




Installation

- 1.-Unscrew the 4 screws marked as "TOR"
- 2.-Take out the frame with the PMMA diffuser
- 3.-Fix the backplate into the wall doing the below holes:



© Leds C-4. All rights reserved. Copying and / or reproduction prohibited without duly authorization of LEDS-C4.

© Leds C-4. Todos los derechos reservados. Se prohíbe su utilización o reproducción total o parcial sin permiso por escrito de LEDS C4.

Tolerancias generales BASTO DIN-7168		Proyecto:		CRITERIOS DE CONTROL		 LEDS-C4
Fecha		Nombre		Inspección Dimensional	0	
Dibujado		J.PARÉS		Inspección Visual	0	
Comprob.		Escala		Denominación 05-8783		

