

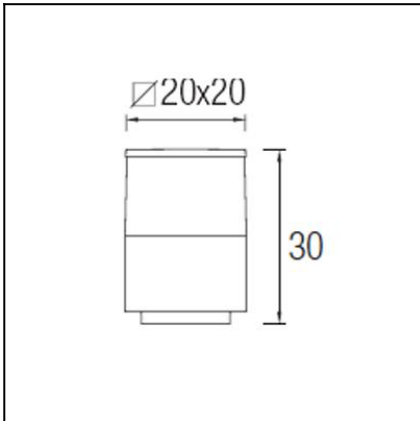
OUT

# CUBIK

## 10-9387-34-M3



The photograph may not match the reference exactly. Please read the product description to identify the finish.



### TECHNICAL CHARACTERISTICS

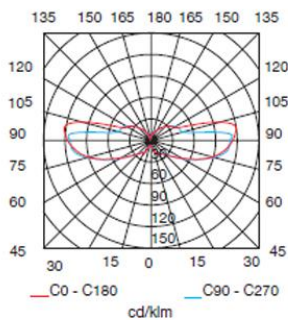
Type:	Lantern
IP Protection degrees:	IP54
IK Protection degrees:	IK10
Light source 1:	1 x E27 MAX 100W Maximum lamp length: 185.00 mm
Total power consumption (W):	100
Voltage / Frequency:	230V/50-60Hz
Warranty (Years):	2
Units per box:	4
Net Weight (Kg):	2.67
EAN:	8435111076262
Stability:	>15°



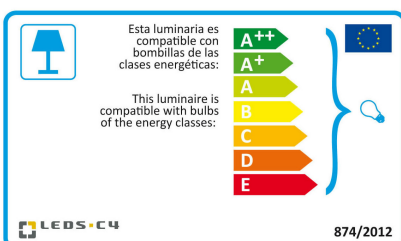
### MATERIALS / FINISHES

<b>Structure material:</b>	Injected aluminium	<b>Diffuser material:</b>	Polycarbonate
<b>Structure finish:</b>	Grey	<b>Diffuser finish:</b>	Matt

PL 18W



Download photometric file .ldt / .ies



Click on image to download energy label

Leds-c4 reserves the right to make the necessary technical changes they deem adequate, in order to improve the features of the product.  
Please consult the sales team to clarify any doubt.

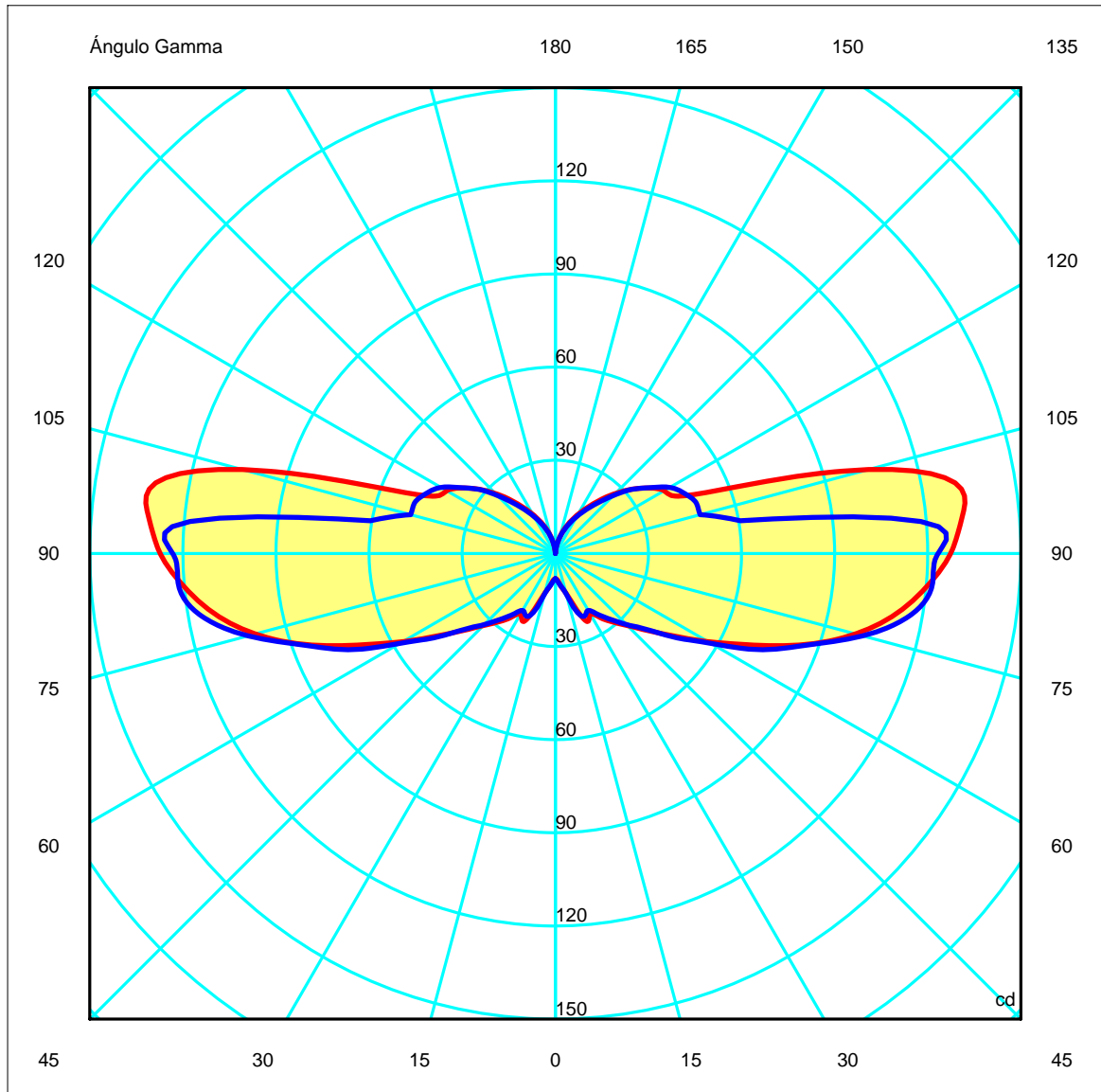
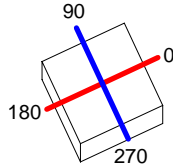
(+34) 973 468 100  
leds-c4@leds-c4.com  
www.leds-c4.com

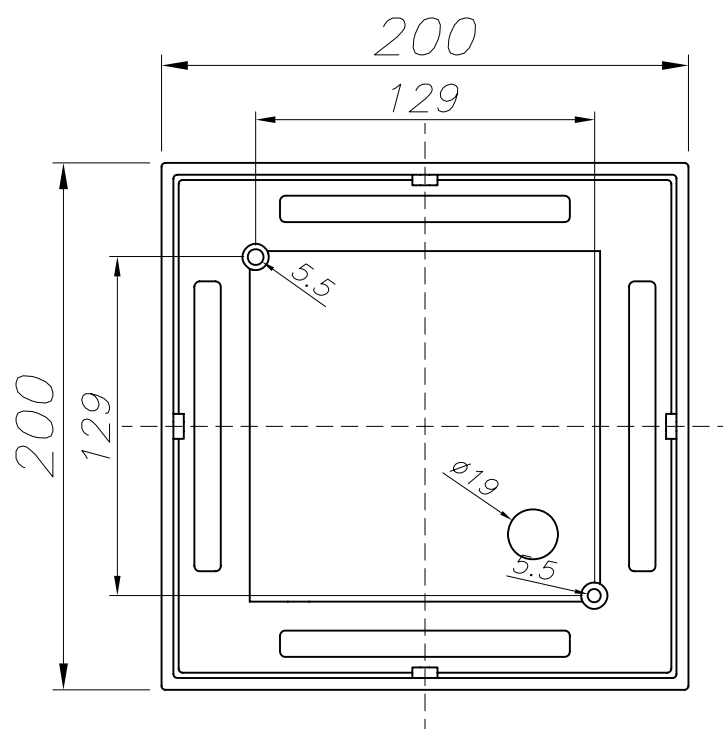
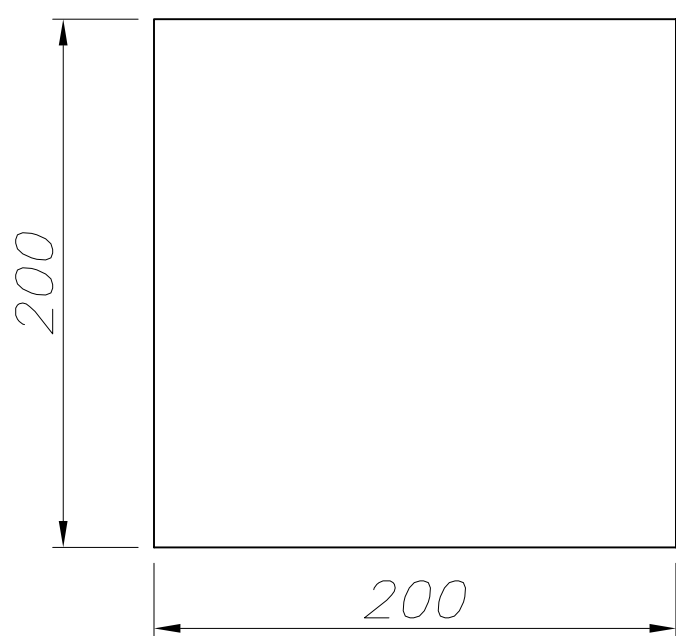
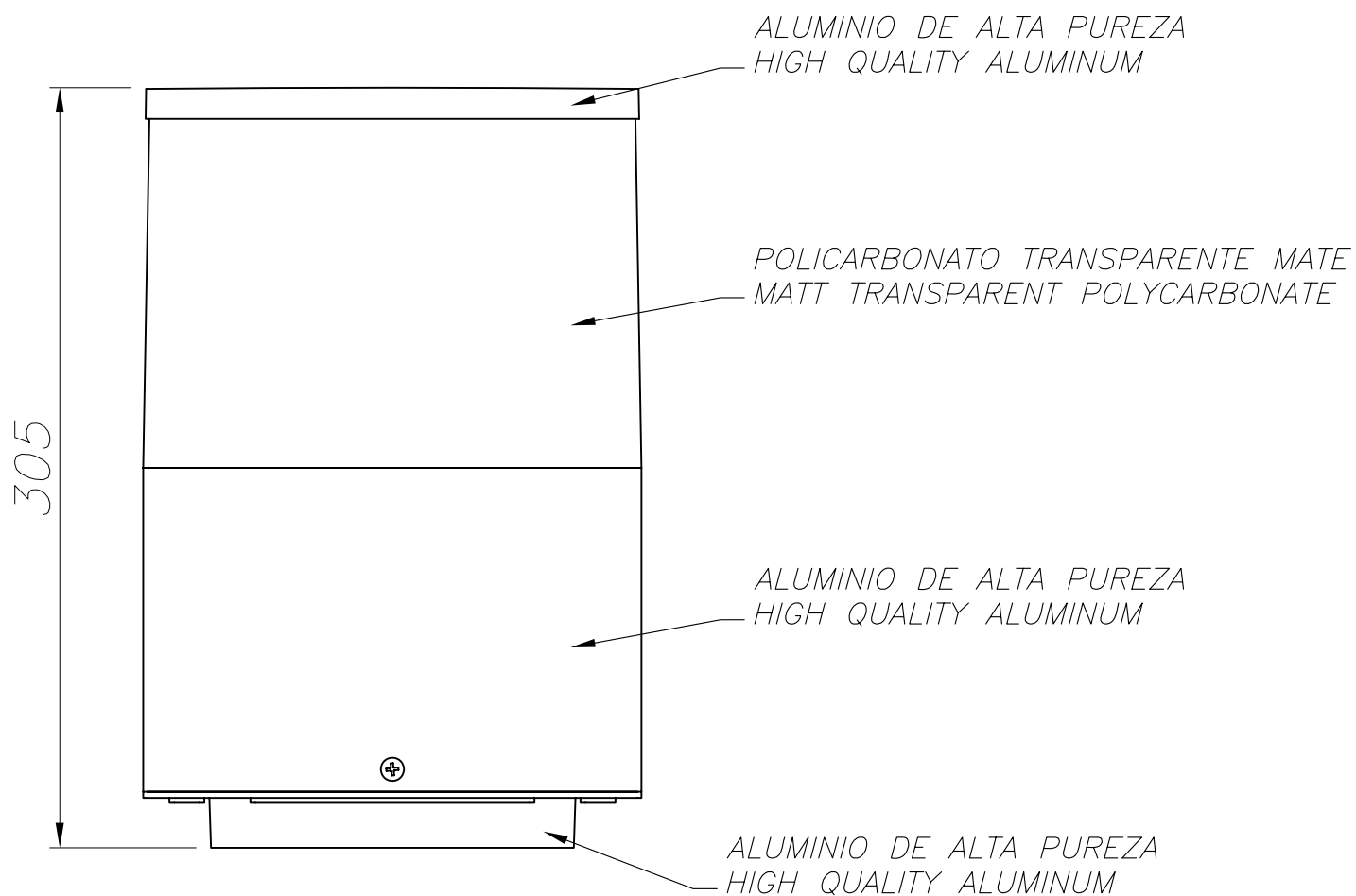
<b>Luminaria</b>		<b>Ensayo</b>		<b>Lámpara</b>	
Código	10-9387-K7-M3	Código	10-9387-K7-M3	Código	PLEC23
Nombre	CUBIK PL 23W E27 difusor opal	Nombre	CUBIK PL 23W E27 dif. opal	Número	1
Familia	- LEDS-C4	Fecha	01-09-2009	Posición	Universal
Eficiencia	55.64%	Sist. de Coord.	C-G	Flujo Total	1500.00 lm
Valor Máximo	133.24 cd	Posición	C=15.00 G=95.00	Bisimétrico	

200mm x 200mm

Semiplanos C

180.0 ——— 0.0  
 270.0 ——— 90.0





PLANTILLA DE INSTALACIÓN  
INSTALLATION TEMPLATE

