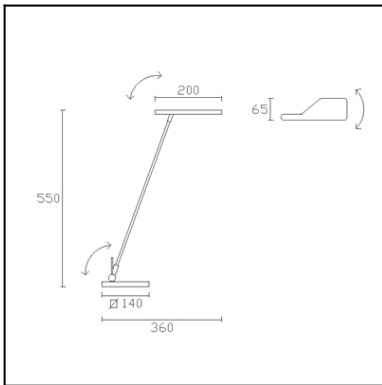
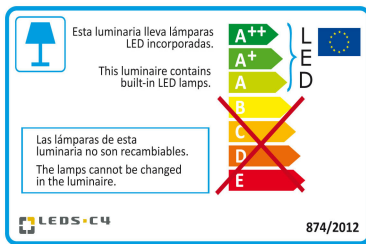




The photograph may not match the reference exactly. Please read the product description to identify the finish.



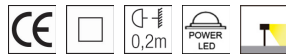
Download photometric file .ldt /.ies



Click on image to download energy label

### TECHNICAL CHARACTERISTICS

Type:	Table lamp
IP Protection degrees:	IP20
Light source 1:	1 x LED Citizen 6W Warm White - 3000K 434 lm <sup>(N)</sup> CRI 80
Total power consumption (W):	8
Voltage / Frequency:	100-240V/50-60Hz
Warranty (Years):	2
Option to extend the guarantee (Years):	5
Units per box:	6
Net Weight (Kg):	1.95
EAN:	8435111098240
Stability:	>15°



### MATERIALS / FINISHES

<b>Structure material:</b>	Aluminium Steel
<b>Structure finish:</b>	Chrome

### GEAR

Multi-voltage electronic gear included (110-240 V / 50-60 Hz)

Lm<sup>(N)</sup>: Nominal flow of light in actual working conditions. Its actual flow will depend on the environmental conditions and the efficiency of the optics and/or diffuser.

Leds-c4 reserves the right to make the necessary technical changes they deem adequate, in order to improve the features of the product.

Please consult the sales team to clarify any doubt.

Report No.: 10-1523

Test Time: 2012-12-7 09:31

## Luminaire Property

Luminaire Manufacturer: LEDS-C4  
Luminaire Category: 10-1523  
Lamp Catalog: LED  
Number of Lamps: 1  
Luminous Length (mm): 360 mm  
Luminous Height (mm): 550 mm  
Current: 0.093 A  
Power Factor: 0.431

Luminaire Description: ELVA  
Lamp Description: 1X3W  
Lumens per Lamp: 390.0 lm  
Luminous Width (mm): 140 mm  
Voltage: 220.7 V  
Power: 8.90 W

## Photometric Results

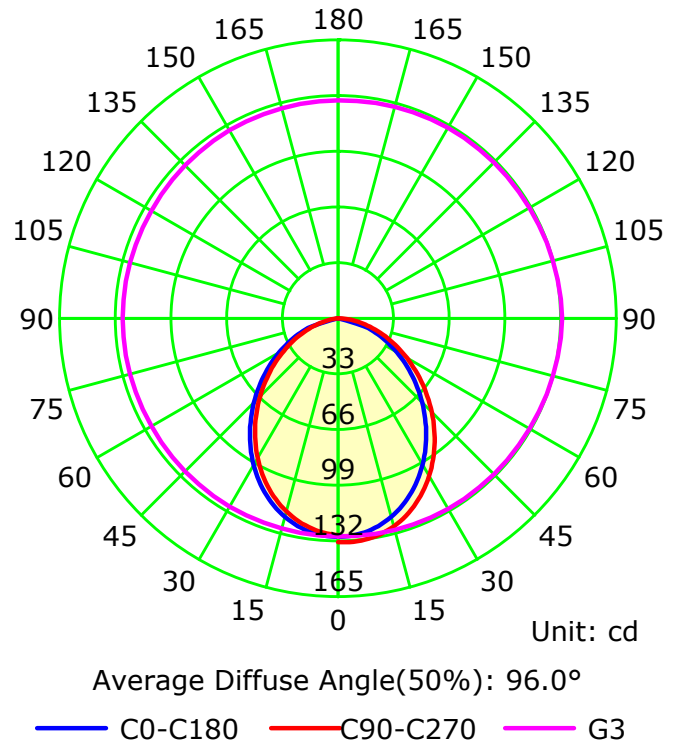
CIE Class: Direct  
Measurement Flux: 301.1 lm  
Downward Ratio: 77.21%  
Field Angle: H147.2 V152.7  
Luminaire Efficacy Rating (LER): 34  
Max. Intensity: 132.84 cd

Total Rated Lamp Lumens: 390.0 lm  
Efficiency: 77.21%  
Upward Ratio: 0.00%  
Beam Angle: H95.7 V96.3  
Central Intensity: 129.36 cd  
Pos of Max. Intensity: H90 V3

Picture Of Luminaire

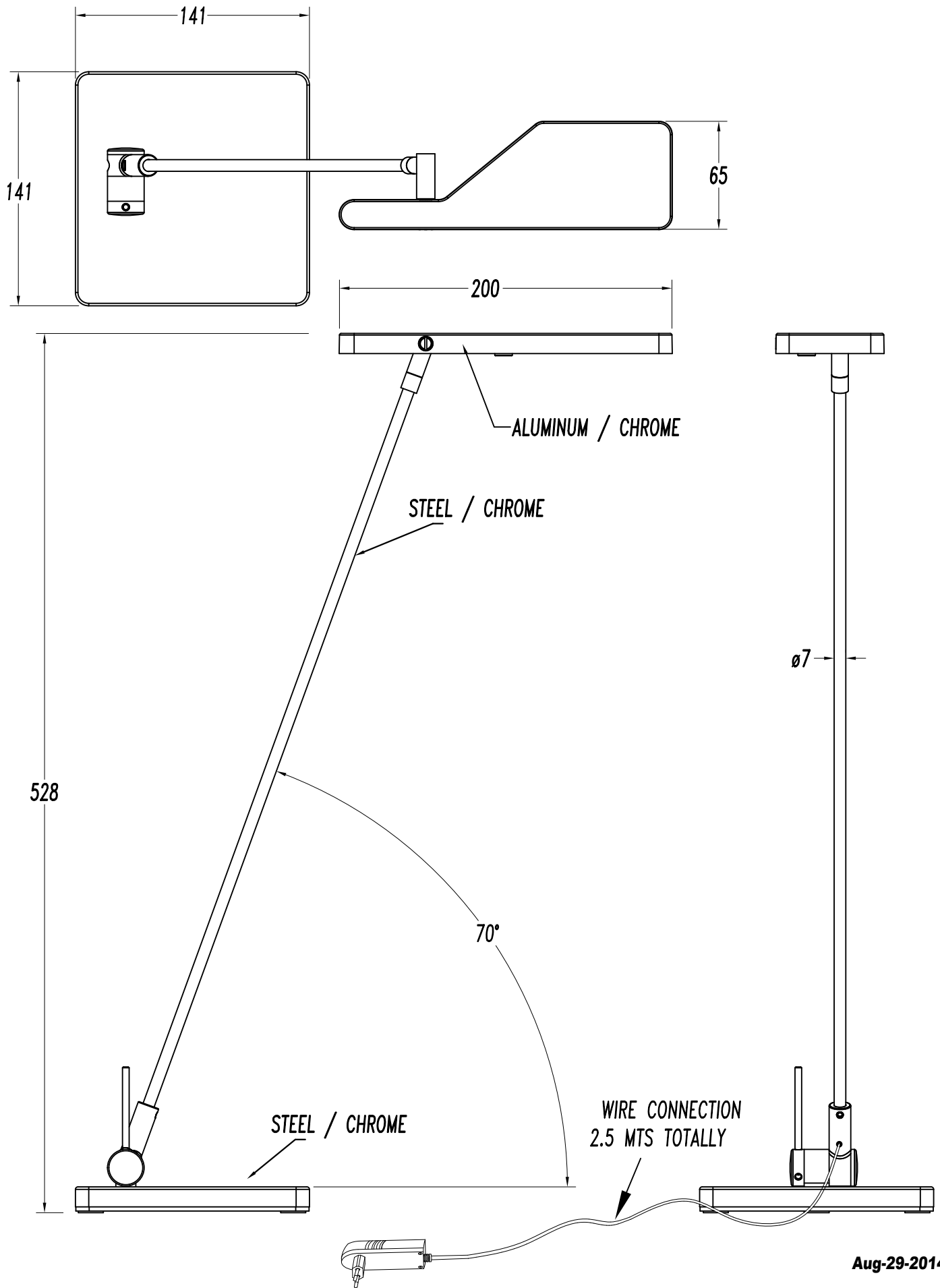


Luminous Intensity Distribution Curve

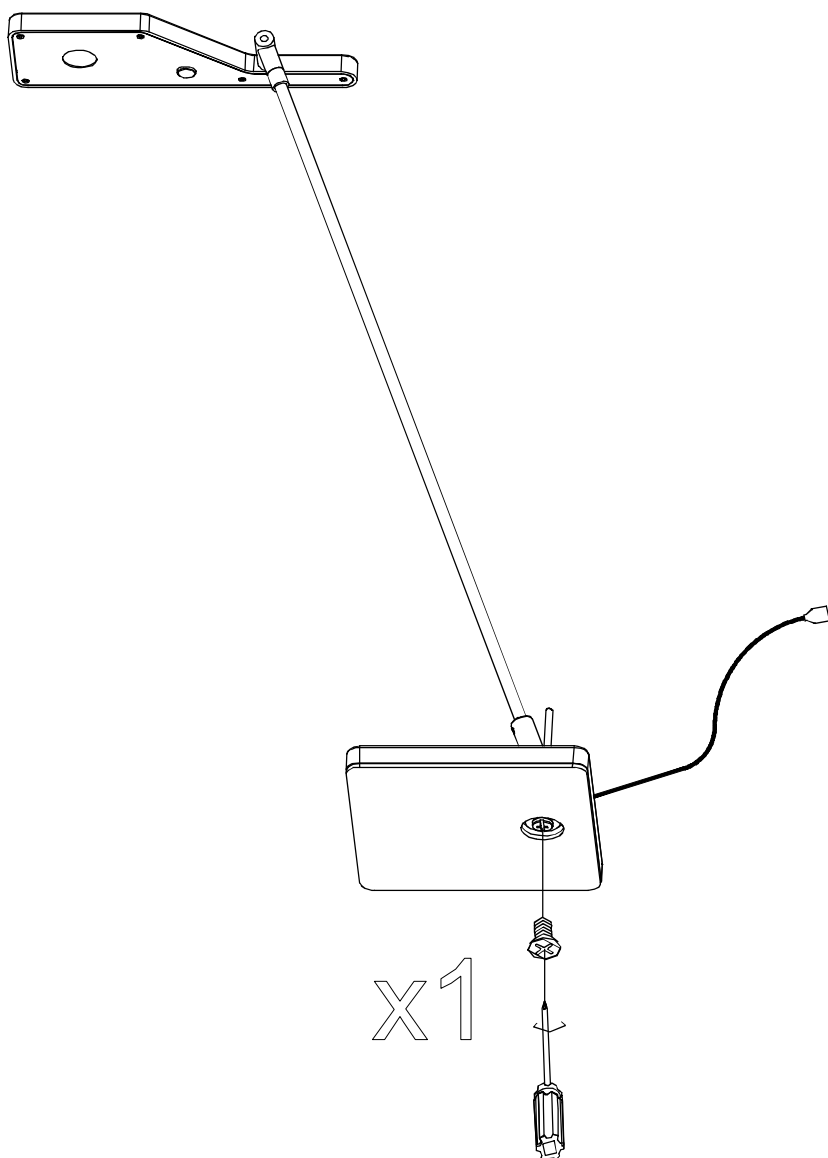


C Plane (°):0.0-360.0: 30.0  
Test Lab:  
Test Type: TYPE C  
Temperature:  
Operator:

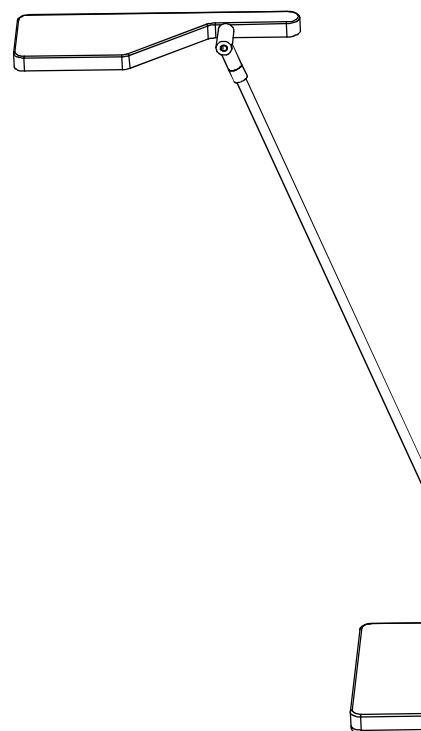
Gamma Plane (°):0.0-180.0:1.0  
Test Device: GPM-1800B  
Distance: 5.107 m  
Humidity:  
Inspector:



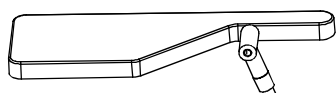
**1**



**2**



**3**



**4**

