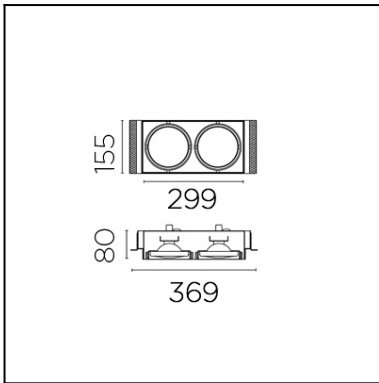




The photograph may not match the reference exactly. Please read the product description to identify the finish.



### Description

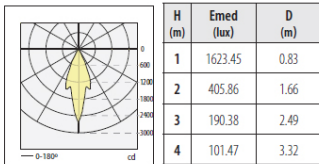
Recessed downlight produced in steel plate. It does not include a surround thus enabling its fully flush installation in the ceiling. Suitable for different numbers of halogen lamps or LED lamps (with the option of including discharge lamps on request). System allowing a wide angle for directing the light beam of up to 80°. Includes an easily removable cover behind the casing to allow the installation of different sized lamps. Anchor clips included in the unit can be adjusted without the need for additional tools. With the option of incorporating colour filters.

### TECHNICAL CHARACTERISTICS

Type:	DOWNLIGHT RECESSED
Adjustable:	Adjustable $\pm 40^\circ$ around the two axis forming the horizontal plane.
IP Protection degrees:	IP23
Light source 1:	2 x G53 max.100W
Voltage / Frequency:	12V/50-60Hz
Warranty (Years):	2
Units per box:	4
Net Weight (Kg):	2.575
EAN:	8435111057605



n° 11  
QR-111 60W 45°  
 $\eta=100\%$

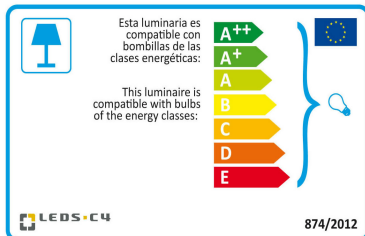


### MATERIALS / FINISHES

**Structure material:** Steel  
Injected aluminium

**Structure finish:** White  
White

Download photometric file .ldt / .ies



Click on image to download energy label

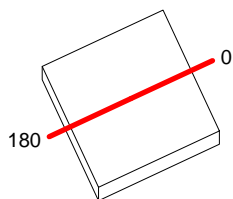
### GEAR

Necessary equipment not included. For more information check website / catalogs / sales organization.

<b>Luminaire</b>		<b>Measur.</b>		<b>Lamp</b>		
Code	DM-0082-14-00	Code	41850.WFL/p95/14	Code	QR-LP 111 60W 8D	
Name	MULTIDIR	Name	MULTIDIR	Number	1	
Line	Eulumdat	Date	29-04-1994	Position		
Efficiency	100.00%	Coordinate system	CG	Total Flux	978.00 lm	
Maximum value	2466.80 cd	Position	C=0.00 G=0.00	Rotosymmetrical		
Rectangular Luminaire	Length	100 mm	Width	100 mm	Height	10 mm
Rectangular Luminous Area	Length	97 mm	Width	98 mm	Height	0 mm
Horizontal Luminous Area	0.009506 m2	Emitting area on Plane 180°		0.000000 m2		
Emitting area on Plane 0°	0.000000 m2	Emitting area on Plane 270°		0.000000 m2		
Emitting area on Plane 90°	0.000000 m2	Glare area at 76°		0.002300 m2		
Symmetry Type	Rotosymmetrical	Maximum Gamma Angle		180		
Measurement Distance	0.00	Measurement Flux		996.50 lm		
Operator		Source voltage				
Temperature	25.00 °C	Source current				
Humidity	60.00 %	Photocell				
Notes						

Luminaire Lamps						
Line	Code	Name	Flux [lm]	Pow. [W]	Q.ty	
Eulumdat	QR-LP 111 60W 8D	QR-LP 111 60W 8D - 65.00 W	978.00	65.00	1	
C.I.E.	90 95 100 100 100	D DIN 5040				
F UTE	1.00 A	B NBN				
		A60				
		BZ 1				

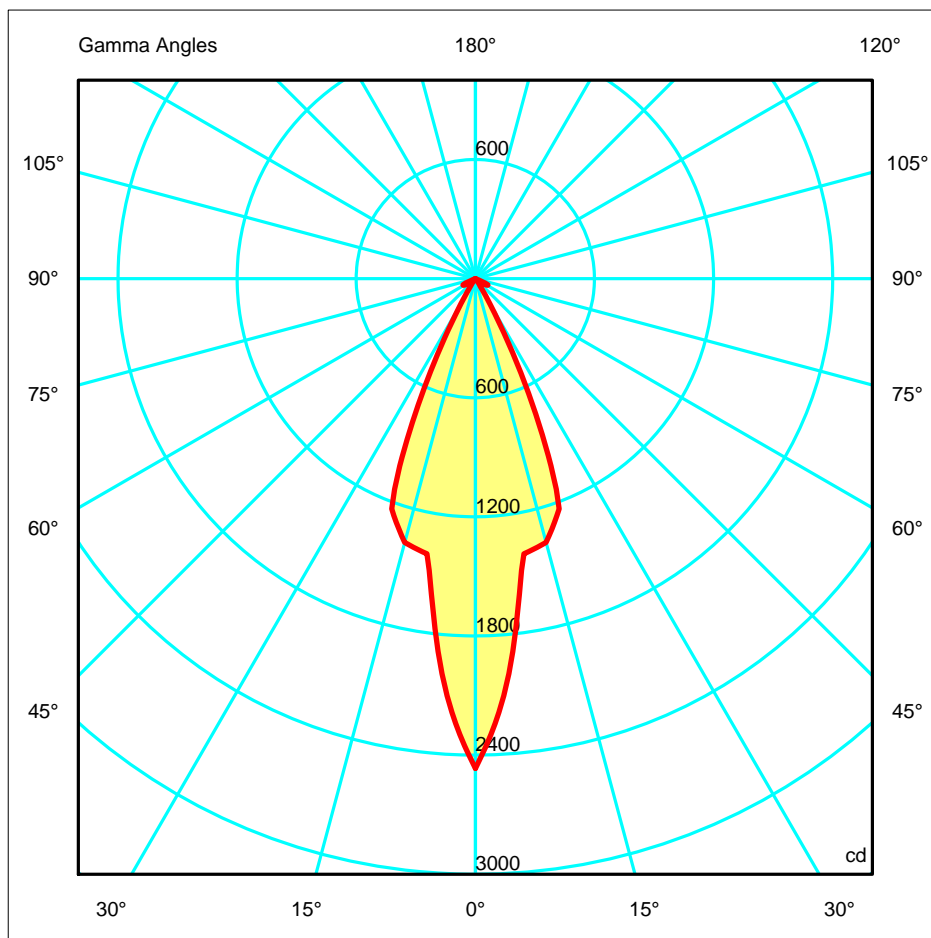
100mm x 100mm



C Halfplanes

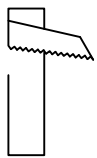
180.0 ——— 0.0

ULOR      0.03 %  
 DLOR      99.96 %  
 RN         0.03 %

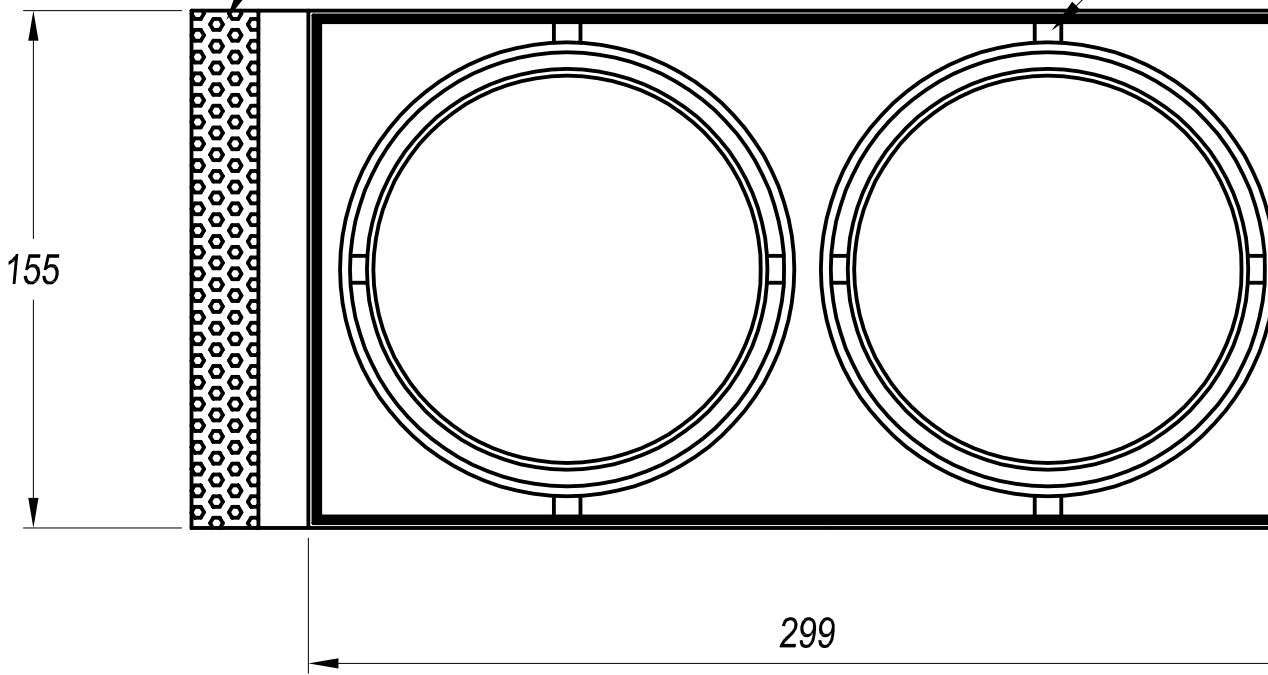


IRON / HIERRO

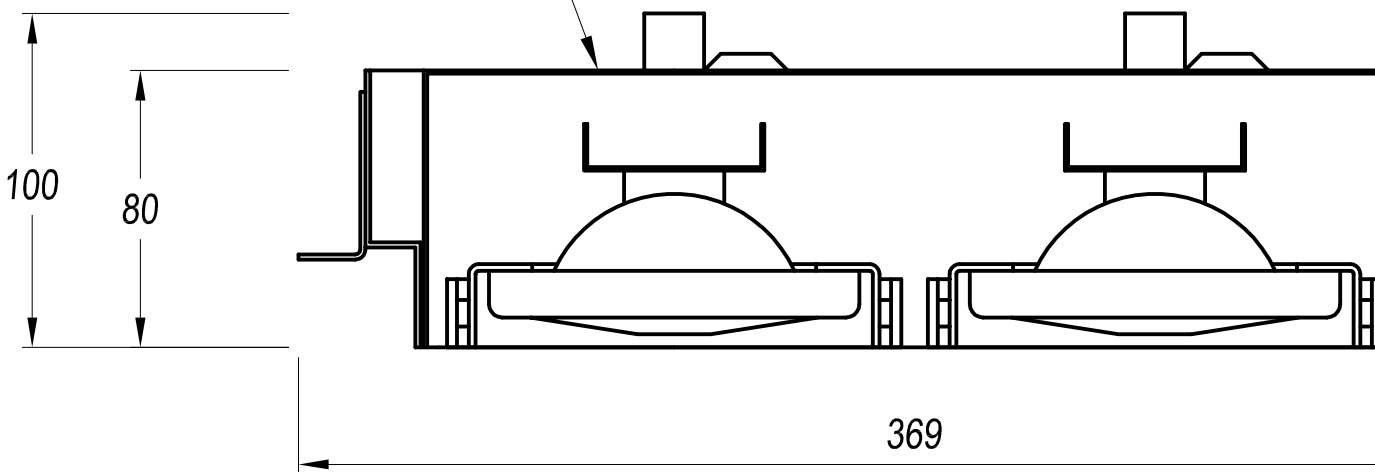
ALUMIN



300x156

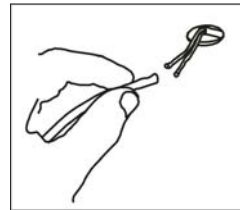
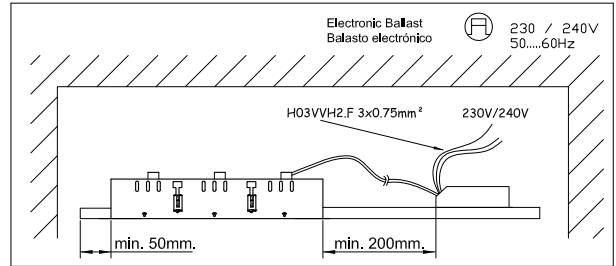
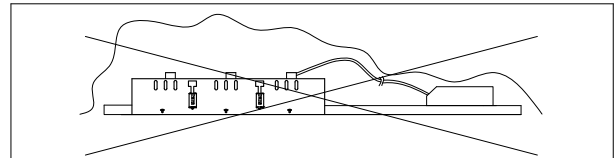


IRON / HIERRO



11-09-09

REF.	⏏	LAMP	SOCKET
DM-0081-60-00	156x156	QR-111 1x100W max.	G53
DM-0081-14-00	156x156	QR-111 1x100W max.	G53
DM-0082-60-00	300x156	QR-111 2x100W max.	G53
DM-0082-14-00	300x156	QR-111 2x100W max.	G53
DM-0083-60-00	444x156	QR-111 3x100W max.	G53
DM-0083-14-00	444x156	QR-111 3x100W max.	G53
DM-0084-60-00	311x311	QR-111 4x100W max.	G53
DM-0084-14-00	311x311	QR-111 4x100W max.	G53
DM-0093-60-00	108x108	QR-CB51 1x50W max.	GU5.3
DM-0093-14-00	108x108	QR-CB51 1x50W max.	GU5.3
DM-0094-60-00	206x108	QR-CB51 2x50W max.	GU5.3
DM-0094-14-00	206x108	QR-CB51 2x50W max.	GU5.3
DM-0095-60-00	304x108	QR-CB51 3x50W max.	GU5.3
DM-0095-14-00	304x108	QR-CB51 3x50W max.	GU5.3
DM-0096-60-00	214x214	QR-CB51 4x50W max.	GU5.3
DM-0096-14-00	214x214	QR-CB51 4x50W max.	GU5.3
DM-1159-60-00	156x156	AR-111 LED 1x15W	GU10
DM-1159-14-00	156x156	AR-111 LED 1x15W	GU10
DM-1160-60-00	300x156	AR-111 LED 2x15W	GU10
DM-1160-14-00	300x156	AR-111 LED 2x15W	GU10
DM-1161-60-00	444x156	AR-111 LED3x15W	GU10
DM-1161-14-00	444x156	AR-111 LED3x15W	GU10
DM-1162-60-00	311x311	AR-111 LED4x15W	GU10
DM-1162-14-00	311x311	AR-111 LED4x15W	GU10



(E) Cubrir toda la longitud del cable de alimentacion con los manguitos termicos.

(F) Couvrir toute la longueur du cable d'alimentation avec les manchons thermiques fournis avec l'appareil.

(GB) All the length of input wiring should be covered with the insulating sleeves provided with the light fitting.

(D) Zuleitung skabel alif sein er ganzen lange mit den warmeierbuchsenzurauslieferung gelan gen be stuck enzu sammen mit der leuchte.

\* AR-111 GU10 LED  / CDM-R111 

