

LAMP SPECIFICATIONS:	
Lumens total flux	835 lm
Lumens 120° flux	750 lm
Rated Wattage	10W
Rated luminous flux	750 lm
Nominal life time of the lamp	30,000 hrs
Colour temperature	3000K
Number of switching cycles before premature lamp failure	15,000
Warm-up time up to 60 % of the full light output	Instant full light
Dimmable	No
Lamp dimensions (mm)	435 x 36 x 55
Nominal beam angle	120°
Rated power	10W
Rated lamp lifetime	30,000
Lamp power factor	>0.5
Lumen maintenance factor at end of nominal life	>70%
Starting time	<0.1s
Colour rendering	≥80
Colour consistency	Within 6 step Macadam ellipse
Rated peak intensity	250cd
Rated beam angle	120°
Not suitable for accent lighting	

Eterna OMLED10

This luminaire contains built-in LED lamps.

A++
A+
A
B
C
D
E

}

LED

The lamps cannot be changed in the luminaire.

874/2012

EVENTUALLY, YOU MAY WANT TO REPLACE THIS PRODUCT:

Regulations require the recycling of Waste from Electrical and Electronic Equipment (European "WEEE Directive" effective August 2005—UK WEEE Regulations effective 2nd January 2007). Environment Agency Registered Producer: WEE/ GA0248QZ.

WHEN YOUR PRODUCT COMES TO THE END OF ITS LIFE OR YOU CHOOSE TO REPLACE IT, PLEASE RECYCLE IT WHERE FACILITIES EXIST - DO NOT DISPOSE WITH HOUSEHOLD WASTE.

CLEANING:

Clean this light fitting only with a soft dry cloth.
Do not use any chemical or abrasive cleaners.

IF YOU EXPERIENCE PROBLEMS:

If you believe your product is defective, please return it to the place where you bought it. Our Technical Team will gladly advise on any Eterna Lighting product, but may not be able to give specific instructions regarding individual installations.

For breakage information visit:
www.eterna-lighting.co.uk



Issue 2014



FOR PRODUCT ADVICE:

- T: 01933 673 144
- F: 01933 678 083
- E: sales@eterna-lighting.co.uk

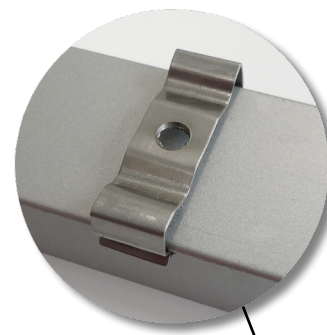
Visit our website:

www.eterna-lighting.co.uk

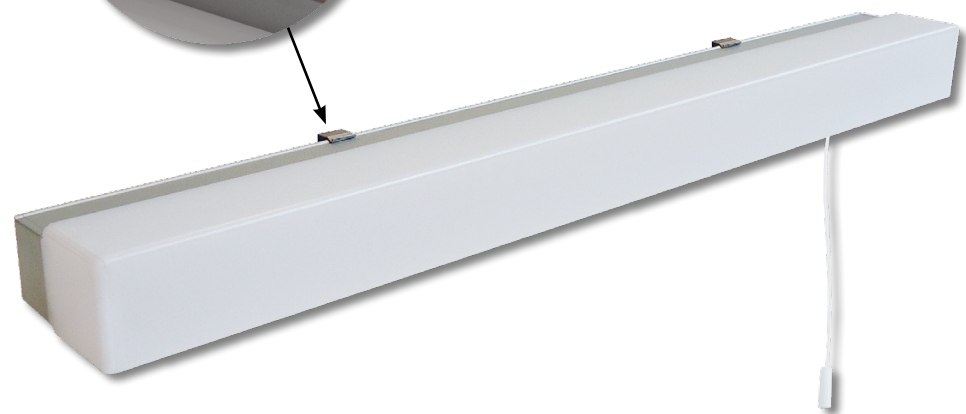


INSTALLATION INSTRUCTIONS

A guide for qualified electricians



Pack contents:
1 x Fitting
2 x Wall mounting brackets



Model:
OMLED10

10W LED Over Mirror Light With Pull Switch

These instructions are provided as a guideline to assist you.

PLEASE READ THESE INSTRUCTIONS BEFORE INSTALLATION AND RETAIN FOR FUTURE REFERENCE

READ THIS FIRST:

Check the pack and make sure you have all of the parts listed on the front of this booklet. If not, contact the outlet where you bought this product.

This product must be installed by a competent person in accordance with the current building and IEE wiring regulations.

As the buyer, installer and/or user of this product it is your own responsibility to ensure that this fitting is fit for the purpose for which you have intended it. Eterna Lighting cannot accept any liability for loss, damage or premature failure resulting from inappropriate use.

This product is designed and constructed according to the principles of the appropriate British Standard and is intended for normal domestic service. Using this fitting in any other environments may result in a shortened working life, for example where there is prolonged periods of use or higher than normal ambient temperatures such as lighting public or shared spaces or in care facilities.

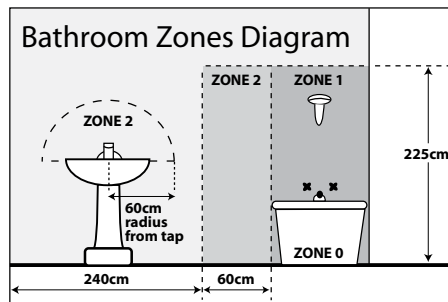
Switch off the mains before commencing installation and remove the appropriate circuit fuse or lock off MCB.

Switch off the mains before commencing installation and remove the appropriate circuit fuse.

Disconnect the fitting from the electrical supply before flash or high voltage testing.

This unit is suitable for indoor use only.

This product is suitable for use in living areas, and Bathroom Zones 2 and outside (safe) zone only (see diagram below and current IEE Wiring Regulations for details). It is not suitable for Bathroom Zones 0 and 1 or other areas where contact with moisture is likely. If being fitted in a bathroom a 30mA RCD must be used.



This product is suitable for installation on surfaces with normal flammability e.g. wood, plasterboard and masonry. It is not suitable for use on highly flammable surfaces (e.g. polystyrene, textiles).

Before making fixing hole(s), check that there are no obstructions hidden beneath the mounting surface such as pipes or cables.

The chosen location of your new fitting should allow for the product to be securely mounted and safely connected to the mains supply (lighting circuit).

Do not attach to surfaces which are damp, freshly painted or otherwise electrically conductive (e.g. metallic surfaces).

This product is designed for permanent connection to fixed wiring: this should be either a suitable lighting circuit (protected with a 5 or 6 Amp MCB or fuse) or a fused spur (with a 3 Amp fuse) via a fused connection unit.

Make connections to the electrical supply in accordance with the following code:

Live - Brown or Red
Neutral - Blue or Black
Earth - Green and Yellow

When making connections, ensure that the terminals are tightened securely and that no strands of wire protrude. Check that the terminals are tightened onto the bared conductors and not onto any insulation.

This product must be connected to earth termination.

You are advised at every stage of your installation to double-check any electrical connections you have made. After you have completed your installation there are electrical tests that should be carried out, these tests are specified in the current IEE wiring and building regulations.

INSTALLATION:

Choose the location of your new fitting according to the conditions listed above.

- 01) Attach the two spring fixing clips evenly spaced to the body.
- 02) Using the body of the fitting as a template, mark the positions of the fixing clips on your mounting surface.
- 03) Remove the spring clips from fitting and position these in place and mark fixing holes.
- 04) Make fixing holes and insert fixing plugs etc. according to the type of fixing you have selected and secure the clips in place.
- 05) Pierce the rubber grommet in the cable entry on the back terminal cover of the fitting using a sharp implement. Make sure the hole is not too large as it must make a tight seal around the incoming mains cable to preserve the ingress protection of the fitting.
- 06) Remove the terminal housing cover by releasing the screw.
- 07) Thread the incoming mains cable through the hole you have just made in the grommet.
- 08) Make the electrical connections according to the colour code above. Refit the cover and ensure that any extra cable is accommodated inside the body of the fitting or is pushed back into the wall cavity if possible.
- 09) Position and press the fitting into the two fixing clips making sure that it has been correctly located.
- 10) Restore the mains power and switch on.

REPLACEMENT LAMP:

10W LED array not replaceable.
Supply Voltage: 230V.