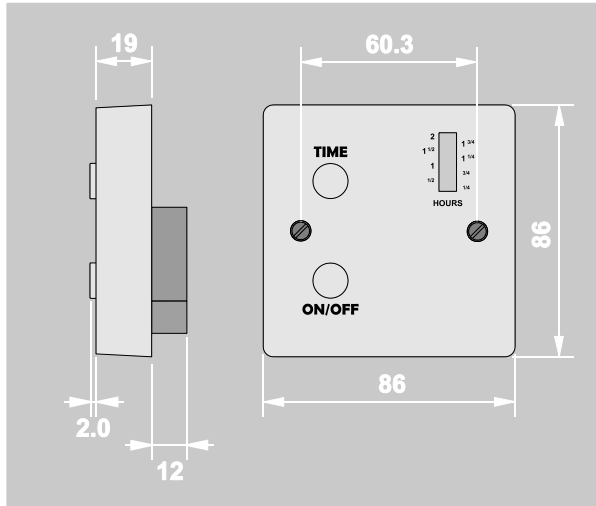




RBT1 Product Guide

Run-Back Timer

Overview

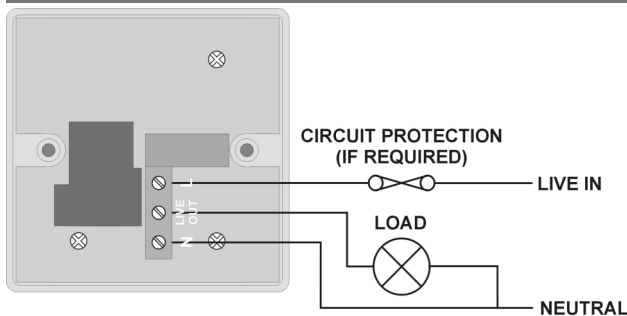


The RBT1 run back timer is a high output electronic timer which provides control for a wide range of loads. Its powerful 20A output makes it particularly suitable for the control of immersion heaters. The unit allows an appliance to be powered for a set time period which can be adjusted by the user. A simple display shows the user how much time is left to run. An ON/OFF switch allows the user to cancel the timing program whilst a memory remembers the last timing sequence selected.

To operate the unit, follow these steps:

1. Press and release the *TIME* button to select the desired time period. The LED will flash next to the selected time.
2. Press the *ON/OFF* button to start—the LED will stay on next to the selected time.
3. As the unit times out the position of the LED will drop down to show how much time is left.
4. Pressing the *ON/OFF* button during timing will turn the unit off.
5. At any stage during timing, pressing the *TIME* button will set a new time period.
6. When the unit has turned off, it is not necessary to select the time period again, just press the *ON/OFF* to repeat the previous time period.

Installation



Warning. This device works at mains potential. Be sure to take care when working with electricity.

1. Make sure the load is connected and in working order.
2. If fitting to a metal back box ensure that top and bottom lugs are removed.
3. Isolate the mains supply to the circuit at the main consumer unit.
4. Connect the controller via the terminal block. Live supply to the *L* terminal, the load to the *LIVE OUT* terminal and neutral to the *N* terminal.
5. Screw the unit to the wall and switch the mains supply back on at the distribution board.

Specification

LOAD	20 Amp resistive load (including immersion heaters) 6 Amp fluorescent lighting 3 Amp compact fluorescent lighting 3 Amp low energy lighting 3 Amp low voltage lighting (switch primary of transformer) Fluorescent lighting (max 6 fittings recommended) 220-240 Volts AC 50 Hz		moulded box. Flush fixing 25mm steel wall box or 32mm deep cavity wall box. Microgap μ 4.0mm ²
SUPPLY VOLTAGE	220-240 Volts AC 50 Hz		Flame retardant ABS
TIME OUT PERIOD	15 minutes to 2 hours in 15 minute increments		Class 2
FIXING METHOD	Surface fixing 25mm deep plastic surface mount		-10°C to 35°C
			EMC-2004/108/EC
			LVD-2006/95/EC

IMPORTANT NOTICE!

This device should be installed by a qualified electrician in accordance with the latest edition of the IEE Wiring Regulations and any applicable Building Regulations.



FM 45789 EMS 534520



C.P. Electronics Ltd
Brent Crescent
London
NW10 7XR
United Kingdom
Tel: + 44 (0) 333 900 0671
Fax: + 44 (0) 333 900 0674
www.green-iswitches.co.uk
enquiry@green-iswitches.co.uk