



INSTRUCTIONS FOR:-  
**TAMPERPROOF THERMOSTAT**  
**RST-TP SERIES**

Thank you for purchasing a BN Thermic product. Manufactured to a high standard this product will, if installed and used according to these instructions, give you years of trouble free performance.



**IMPORTANT:** PLEASE READ THESE INSTRUCTIONS, NOTE THE SAFE OPERATIONAL REQUIREMENTS, WARNINGS, AND CAUTIONS. USE THIS PRODUCT CORRECTLY, AND WITH CARE FOR THE PURPOSE FOR WHICH IT IS INTENDED. FAILURE TO DO SO MAY CAUSE DAMAGE AND/OR PERSONAL INJURY AND WILL INVALIDATE THE WARRANTY.

## 1. SAFETY INSTRUCTIONS

### 1.1 ELECTRICAL SAFETY

**WARNING!** It is the responsibility of the Installer, owner and operator to read, understand and comply with the following:

- 1.1.1 All electrical wiring must be carried out by a fully qualified Electrician in accordance with the current IEE wiring regulations.
- 1.1.2 The Thermostat must be earthed by means of the earth screw in the metal back-plate.
- 1.1.3 The electrical supply must be disconnected before fitting the unit to the back-plate or removing the cover.

## 2. INSTALATION INSTRUCTIONS

### Location

The RST-TP should be wall-mounted at approximately 1.5m above floor level. Do not position above a radiator or in direct sunlight.

### Installation

The metal back-plate can be fitted to a wall or to a single gang back-box.

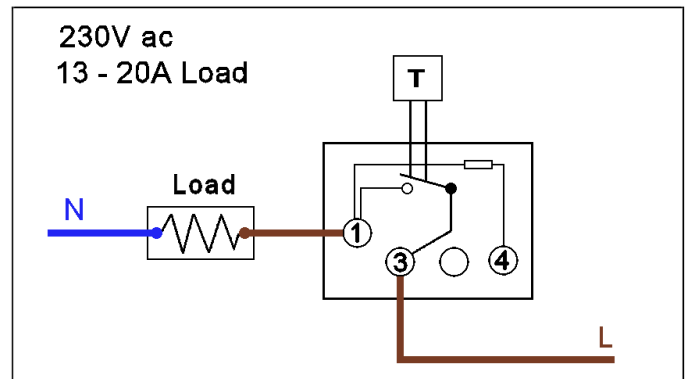
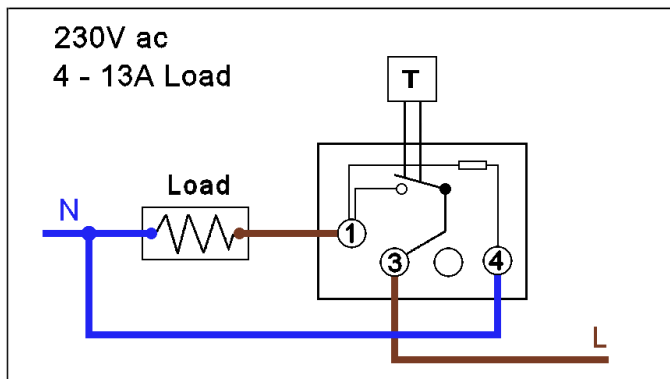
- Loosen the cover retaining screws and remove the cover. Swing the terminal cover open to reveal the electrical terminals.
- Pull the wires through the back of the thermostat and secure the thermostat to the back-plate using the two captive screws.
- Electrical connections should be made according to the internal wiring diagram
- The desired temperature should be set by manually rotating the scale-disc.
- Swing the terminal cover back into position and replace the main cover, tightening the retaining screws.

### Security Shear-Off Screws

For extra security, the conventional retaining screws can be replaced by the optional shear-off screws provided. This change should only be made after the thermostat has been operating satisfactorily for some time.

## 3. WIRING DIAGRAMS

Please ensure you follow the correct diagram for the correct load



**NOTE:** It is our policy to continually improve products and as such we reserve the right to alter data, specifications and component parts without prior notice.



This product conforms to EU Directive 2002/96/EC.

This appliance bears the symbol of the crossed waste bin. This indicates that, at the end of its useful life, it must not be disposed of as domestic waste, but must be taken to a collection centre for waste electrical and electronic equipment. It is the user's responsibility to dispose of this appliance through the appropriate channels. Failure to do so may incur penalties established by laws governing waste disposal.

**IMPORTANT:** No liability is accepted for incorrect use of this product.

**WARRANTY:** Your BN Thermic product is guaranteed for one year from date of purchase. We will repair or replace at our discretion any part found to be defective. We cannot assume any consequential liability. This guarantee in no way prejudices your rights under common law and is offered as an addition to consumer liability rights.

BN Thermic Ltd,  
 34 Stephenson Way, Three Bridges,  
 Crawley, RH10 1TN  
 Tel: +44 (0) 1293 547361  
 Email: sales@bnthermic.co.uk  
 Web: www.bnthermic.co.uk