



Knightsbridge®
the mark of quality

INSTALLATION & MAINTENANCE MANUAL RW6 Series



230V
50Hz

IP
65



ML
ACCESSORIES LTD



RoHS
COMPLIANT

CE



118





GENERAL INSTRUCTIONS

These instructions should be read carefully and retained after installation by the end user for future reference and maintenance.

These instructions should be used to aid installation of the following products:

RW6WW / RW6CW / RW6CCT / RW6DTW

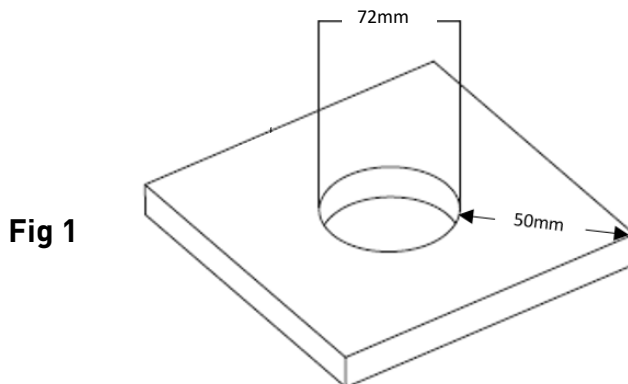
SAFETY

- Installation of this luminaire should only be carried out by a qualified electrician or competent person to the latest Building and current IEE Wiring Regulations (BS7671)
- Please isolate mains prior to installation/maintenance
- Check the total load on the circuit (including when this luminaire is fitted) does not exceed the rating of the circuit cable, fuse or circuit breaker
- Please note the IP (Ingress of Protection) rating of this luminaire when deciding the location for installation
- If used under insulation, the insulation should be laid unbroken over the luminaire (not packed around it). Only mineral wool style insulation may be used
- This product is Class I and must be earthed
- This product is dimmable with most trailing edge dimmers
- This product is IP65 rated

INSTALLATION

Note: If this luminaire is being used in conjunction with external PIR or sensors, please confirm with the manufacturer of the sensors that they are compatible with LED luminaires.

- Provide power to the required point of installation. Suitable IP rated junction boxes should be used where required
- Cut a suitable hole in the ceiling as per the cut-out details in Fig 1 ensuring that it does not infringe with electrical cables, water/gas pipes or ceiling joists





- With the aid of a cross-head screwdriver, remove the cover to access the mains terminal block (see Fig 2)

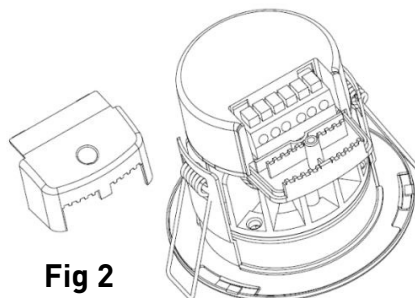


Fig 2

- Connect the luminaire to the mains supply ensuring that correct polarity is observed
L - Live (brown) E - Earth (yellow/green) and N - Neutral (blue) (see Fig 3)

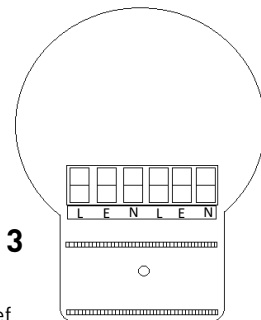


Fig 3

- Refit the terminal cover and tighten the screw ensuring the strain relief grips the cable securely
- To remove the bezel turn anti-clockwise
- To refit the bezel turn clockwise
- Hold back springs and insert fitting into ceiling
- Switch on power supply and check for correct operation

ADJUSTABLE CCT FITTING ONLY (RW6CCT)

COLOUR CHANGE

- To change the colour temperature of the fitting, switch the fitting on, off and on again within 2 seconds. Repeat this switching cycle until desired colour temperature has been achieved (see Fig 4)

MEMORY FUNCTION

- The luminaire will always remain the same colour temperature until the above switching cycle has been carried out

RESET FUNCTION

- To reset the fitting back to warm white, turn on the fitting and leave on for 5 seconds
- Switch the fitting off/on 4 times within 6 seconds
- Upon the 4th "on" switch, the luminaire will revert back to warm white

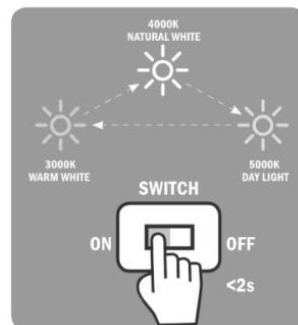


Fig 4





DIM TO WARM FITTING ONLY (RW6DTW)

The colour temperature changes as the fitting is dimmed. The colour temperature will become warmer as the fitting is dimmed and cooler as the brightness is increased.

Please note, in order for this product to function, you will need a trailing edge dimmer

ADDITIONAL ACCESSORIES

Part code	Description
RW6BC	Bezel - Brushed chrome
RW6C	Bezel - Chrome
RW6MB	Bezel - Matt black
RW6MW	Bezel - Matt white

Part code	Description
RW6FBC	Flat Bezel - Brushed chrome
RW6FC	Flat Bezel - Chrome
RW6FMB	Flat Bezel - Matt black
RW6FMW	Flat Bezel - Matt white
RW6FBR	Flat Bezel - Brass

GENERAL

The LED lamp fitted in this product is non-replaceable. The product should be recycled in the correct manner when it reaches the end of its life. Check local authorities for where facilities exist. Clean with a soft dry cloth only, do not use aggressive cleaning products or solvents which may damage the product.

WARRANTY

This product has a warranty of 5 years from date of purchase. Failure to install this product in accordance with the current edition of the IEE Wiring Regulations, improper use, or removal of the batch codes will invalidate the warranty. If this product should fail within its warranty period it should be returned to the place of purchase for a free of charge replacement. ML Accessories does not accept responsibility for any installation costs associated with the replacement product. Your statutory rights are not affected. ML Accessories reserve the right to alter product specification without prior notice.



ML Accessories Limited
LU5 5TA
www.mlaccessories.co.uk

DCJUL18_V3

