

Commercial Showers

Selecting the perfect Commercial solution...

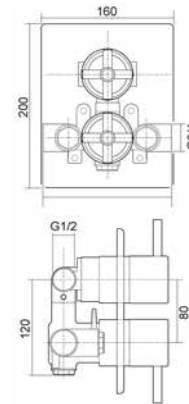
	Thermostatic temperature control	Separate temperature and flow controls	Bar/valve	Diverter	Built-in	Exposed	Water pressure systems	Pipe inlet centres (mm)	Building in depth (mm)	Factory set temperature stop	Guarantee (years)	WRAS approved	TMV2 accreditation	Maximum static pressure 10 Bar	Page
Elina TMV2 Dual Control with Diverter	•	•	•	•			A	65	•	•	•	•	•	•	97
Elina Bar Top Outlet Timed Flow Control	•	•	•		•		A	150	•	•	•	•	•	•	98

Elina TMV2 Dual Control with Diverter

Thermostatic Mixer Shower



Dimensions given are approximate



Features:

- Separate diverter and temperature controls
- Tamper proof lever controls
- Automatic shutdown if hot and cold supplies fail
- Simple to install and maintain
- Bulkhead included
- Factory set maximum temperature at 38°C

Ideal for use in hotels and guest houses.

Pack includes valve and bulkhead. Kit and shower head sold separately, see accessory section page 120 for more details.



WRAS
APPROVED PRODUCT

Specification:

Temperature Control	Thermostatic
Inlet Connection	3/4" BSP
Water Entry Points	Rising, falling, back
Outlet Connection	1/2" BSP
Minimum Running Pressure/Flow	0.1 Bar @ 8 l/min
Maximum Running Pressure	5 Bar
Open Outlet Flow at 0.1 Bar	5.4 l/min
Built in Depth	65mm minimum
Flow Limiters Supplied	8 l/min max flow

Finish

Chrome

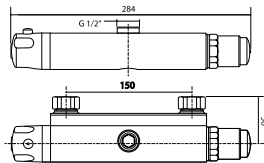
Code

ELIBTDCDIV

Installer Hotline: +44 (0) 844 980 0730

Elina Bar Top Outlet with Timed Flow Control

Thermostatic Mixer Shower



Dimensions given are approximate

Features:

- Timed flow control of 30 seconds
- Simple to install and maintain
- Automatic shutdown if hot and cold supplies fail
- Factory set maximum temperature at 38°C
- Service flush temperature override setting to reduce legionella

Ideal for use in leisure centres.

Pack includes valve only. Kit and shower head sold separately, see accessory section page 120 for more details.

Specification:

Temperature Control	Thermostatic
Inlet Connection	1/2" BSP to 3/4" flat face union
Water Entry Points	Back
Outlet Connection	1/2" BSP top
Minimum Running Pressure/Flow	0.1 Bar @ 8 l/min
Maximum Running Pressure	5 Bar
Open outlet flow at 0.2 Bar	7 l/min
Flow Limiters Supplied	12 l/min max flow

Finish

Chrome

Code

ELITFTHBM

T30i

Handwash

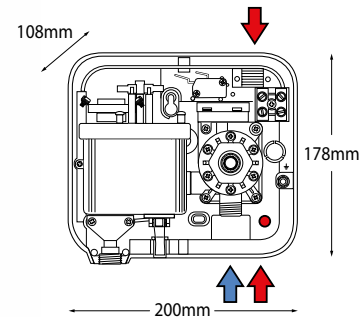


Diagram Key:

Water Entry Points (blue arrow) Cable Entry Points (red arrow)

Features:

- Heats water for hand washing where only cold mains supply is available
- Single control for start/stop and temperature selection
- 200mm swivel arm

Ideal for use when there is no hot water supply.

Specification:

Temperature Control	Stabilised
Inlet Connection	15mm compression
Outlet Connection	1/2" BSP
Minimum Running Pressure/Flow	1 Bar @ 8 l/min
Surface Mounted Only	



Finish

White/Chrome
White/Chrome

Power

3 kW
7 kW

Code

T3A30341
T3A70741