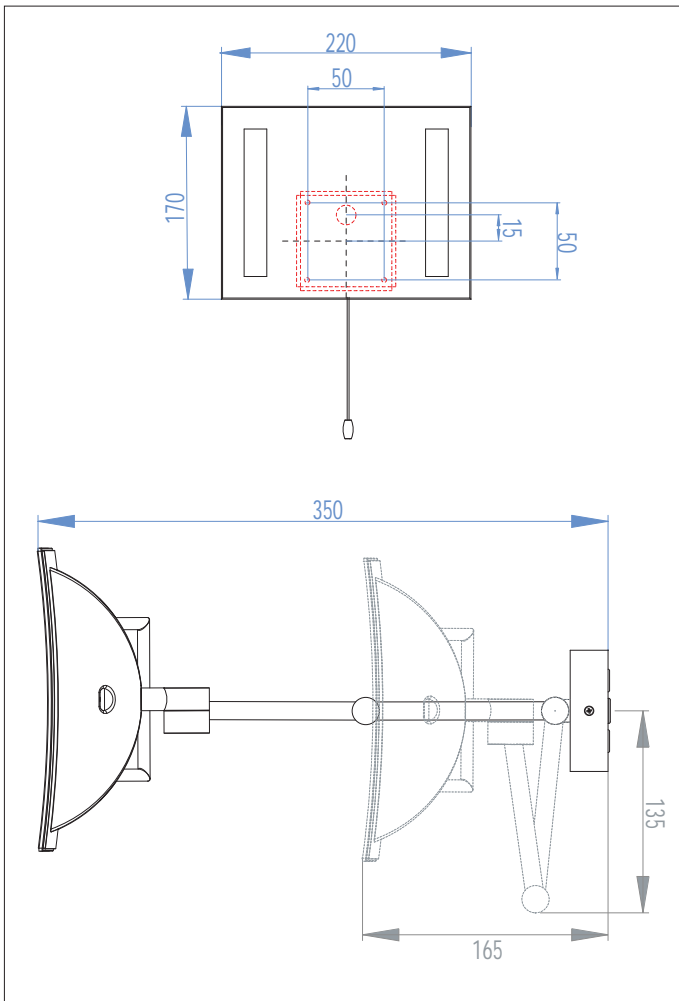
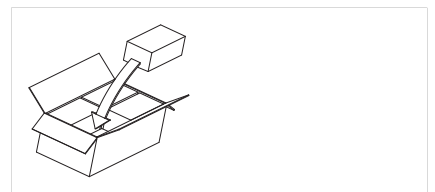
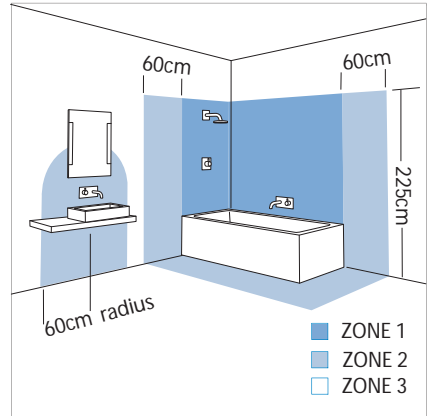


Madison Mirror Light, AX0338



1 x 25w G9		included
---------------	--	----------

Zones	2	3
-------	----------	----------



Sparks Electrical Wholesalers Ltd

659-661 Holloway Road
London N19 5SE
Tel: 020 7263 8007
www.sparksdirect.co.uk

Specifications

Model: AX0338
Style: Modern
Energy type: Mains Voltage 240V
Wattage: 25 W
Lamp type: Capsule Lamp 240v
Lamp base: G9
IP Rating: IP44
Zone rating: 2 and 3
Task: Wall
Projection: 350 mm
Dimensions: 220 (width) mm
Height: 170 mm