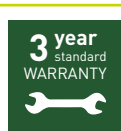
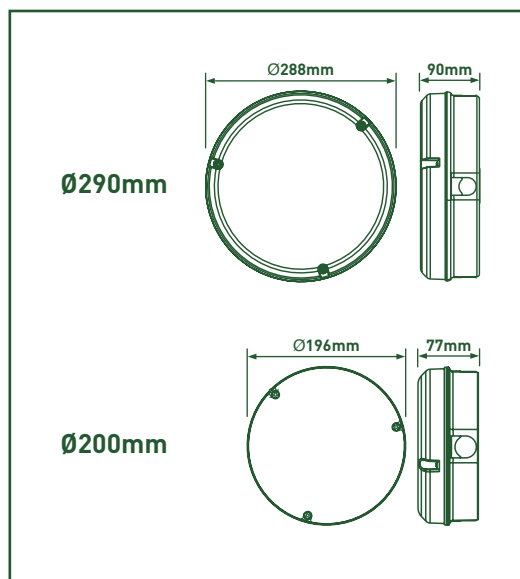


## MOSI BULKHEAD

- Polycarbonate construction
- Opal diffuser
- Black and white base options
- 4 side and 1 rear conduit entry points



3 years standard warranty available in the UK. Rest of the world may vary, please ask your local distributor for more information.

**4000K**  
NEUTRAL  
WHITE

**30,000**  
HOURS

**IP65**  
RATED

**IK08**

**230v**  
/50hz

**CRI**  
>80

CAT NO.	SIZE	DRIVER	COLOUR	LUMINAIRE LUMENS	WATTAGE	EFFICACY Llm/W
LBM290B11S40	Ø290mm	Standard	Black	1100	14W	78
LBM290W11S40	Ø290mm	Standard	White	1100	14W	78
LBM290B11E40	Ø290mm	Emergency	Black	1100	16W	69
LBM290W11E40	Ø290mm	Emergency	White	1100	16W	69
LBM200B6S40	Ø200mm	Standard	Black	650	9W	81
LBM200W6S40	Ø200mm	Standard	White	650	9W	81

### STANDARDS

EN 60598-1	Luminaires - General requirements
EN 60598-2-1	Luminaires - Fixed
EN 60598-2-22	Luminaires - Emergency
EN 61347-1	Lamp controlgear - Part 1: General and safety requirements
EN 61347-2-13	Lamp controlgear - Part 2-13: Particular requirements for d.c. or a.c. supplied electronic controlgear for LED modules
EN 55015	Limits and methods of measurement of radio disturbance characteristics of electrical lighting and similar equipment
EN 61547	Equipment for general lighting purposes - EMC immunity requirements
EN 61000-3-2	Electromagnetic compatibility (EMC) - Part 3-2: Limits - for harmonic current emissions
EN 62471	Photobiological safety of lamps and lamp systems
2002/96/EC	Waste Electrical & Electronic Equipment (WEEE)
2011/65/EU	Restriction of the use of certain Hazardous Substances in EEE (RoHS)
(EC) No 1907/2006	The Registration, Evaluation, Authorisation and Restriction of Chemicals (REACH)

▼ CONTINUED



**LUCECO**

The luminaire contains built-in LED lamps.

**A++**  
**A+**  
**A**  
**B**  
**C**  
**D**  
**E**

**A+**

The lamps cannot be changed in the luminaire.

874/2012

Tech Help Line  
UK - **03300 249 279**  
Non UK - **+44 (0)1952 238 100**

Supplied by Nexus Industries Ltd  
Nexus Distribution Centre, Stafford Park 1  
Telford, Shropshire, TF3 3BD

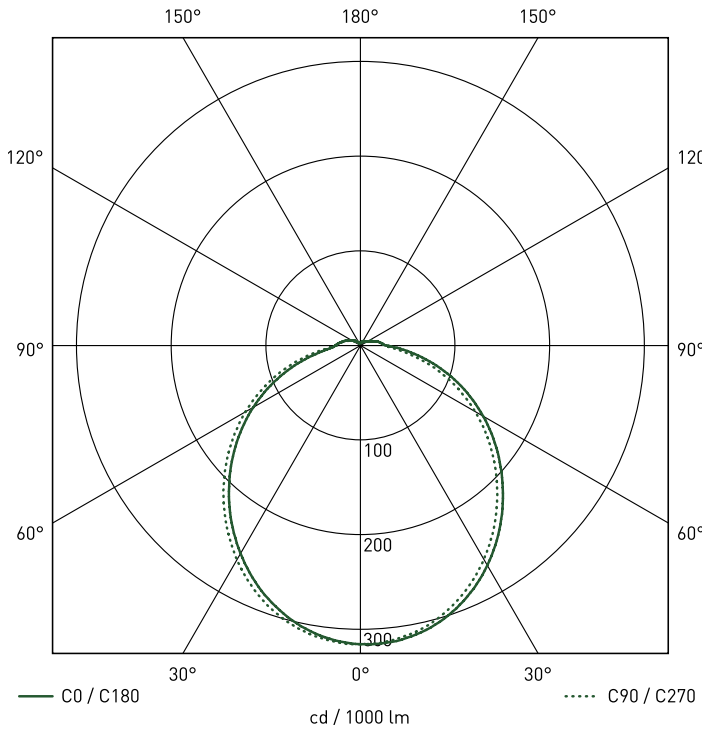
Visit our website at  
**www.luceco.uk**

# LUCECO PHOTOMETRIC DATA

## LBM290W11S40 LUMINAIRE PERFORMANCE

Light Output Ratio:	100%	Quantity:	1
Luminaire Efficacy:	94 lm/W	Designation:	LED
Light Distribution:	A41 ↓93.2% ↑6.8%	Colour Temperature:	4000K
CIE Flux Codes:	45 75 92 93 100	Luminous flux:	1316 lm
UGR 4H 8H (20%, 50%, 70%) C0 / C90:	22.7 / 22.0	CRI:	80

## LUMINOUS INTENSITY



	C0	C90	C180
0°	315	315	315
10°	312	309	306
20°	296	290	285
30°	268	261	254
40°	232	224	216
50°	192	183	174
60°	150	140	131
70°	106	95	86
80°	62	52	45
90°	28	26	27
100°	20	21	21
110°	13	15	16
120°	9	10	11
130°	6	7	8
140°	6	4	5
150°	5	3	4
160°	4	3	3
170°	3	3	3
180°	3	3	3
	cd / 1000 lm		

## UNIFIED GLARE RATING (UGR) TABLE

### REFLECTANCE OF

CEILING	0.7	0.7	0.5	0.5	0.3	0.7	0.7	0.5	0.5	0.3
WALLS	0.5	0.3	0.5	0.3	0.3	0.5	0.3	0.5	0.3	0.3
FLOOR CAVITY	0.2	0.2	0.2	0.2	0.2	0.2	0.2	0.2	0.2	0.2

### ROOM DIMENSION

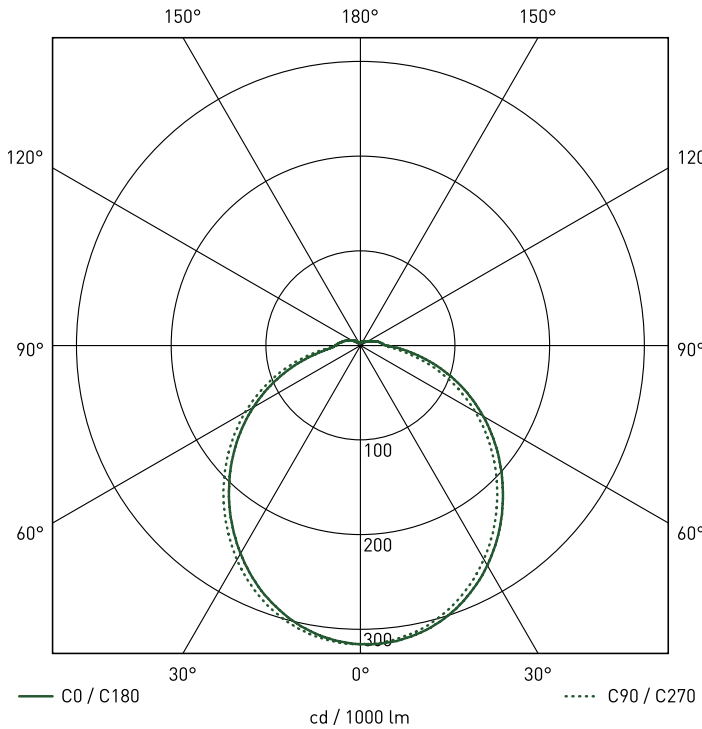
ROOM DIMENSION		VIEWED CROSSWISE					VIEWED ENDWISE				
x	y										
2H	2H	17.7	19.3	18.2	19.7	20.2	17.4	18.9	17.8	19.3	19.8
	3H	19.5	20.9	20.0	21.4	21.9	19.1	20.5	19.6	20.9	21.4
	4H	20.4	21.7	20.9	22.2	22.7	19.8	21.1	20.3	21.6	22.1
	6H	21.1	22.3	21.6	22.8	23.4	20.5	21.7	21.0	22.2	22.7
	8H	21.4	22.6	21.9	23.1	23.6	20.7	21.9	21.2	22.4	22.9
	12H	21.6	22.8	22.2	23.3	23.9	20.9	22.0	21.4	22.6	23.1
4H	2H	18.5	19.8	19.0	20.3	20.8	18.1	19.4	18.6	19.9	20.4
	3H	20.5	21.6	21.0	22.1	22.7	20.0	21.1	20.5	21.7	22.2
	4H	21.5	22.5	22.0	23.0	23.6	20.9	22.0	21.5	22.5	23.1
	6H	22.3	23.2	22.9	23.8	24.4	21.7	22.6	22.2	23.1	23.7
	8H	22.7	23.6	23.3	24.1	24.7	22.0	22.9	22.6	23.4	24.0
	12H	23.1	23.9	23.7	24.4	25.1	22.3	23.1	22.9	23.7	24.3
8H	4H	21.8	22.7	22.4	23.3	23.9	21.3	22.1	21.9	22.7	23.3
	6H	22.9	23.6	23.5	24.2	24.8	22.2	22.9	22.8	23.5	24.1
	8H	23.4	24.1	24.0	24.7	25.3	22.7	23.3	23.3	23.9	24.6
	12H	23.9	24.4	24.5	25.1	25.7	23.1	23.6	23.7	24.3	24.9
12H	4H	21.9	22.7	22.5	23.2	23.9	21.4	22.1	21.9	22.7	23.4
	6H	23.0	23.7	23.6	24.3	24.9	22.4	23.0	23.0	23.6	24.3
	8H	23.6	24.1	24.2	24.8	25.4	22.9	23.4	23.5	24.0	24.7

# LUCECO PHOTOMETRIC DATA

## LBM290W11E40 LUMINAIRE PERFORMANCE

Light Output Ratio:	100%	Quantity:	1
Luminaire Efficacy:	6.79 lm/W	Designation:	LED
Light Distribution:	A41 ↓93.2% ↑6.8%	Colour Temperature:	4000K
CIE Flux Codes:	45 75 92 93 100	Luminous flux:	95 lm
UGR 4H 8H (20%, 50%, 70%) C0 / C90:	13.6 / 12.9	CRI:	80

### LUMINOUS INTENSITY



	C0	C90	C180
0°	315	315	315
10°	312	309	306
20°	296	290	285
30°	268	261	254
40°	232	224	216
50°	192	183	174
60°	150	140	131
70°	106	95	86
80°	62	52	45
90°	28	26	27
100°	20	21	21
110°	13	15	16
120°	9	10	11
130°	6	7	8
140°	6	4	5
150°	5	3	4
160°	4	3	3
170°	3	3	3
180°	3	3	3
	cd / 1000 lm		

### UNIFIED GLARE RATING (UGR) TABLE

REFLECTANCE OF	0.7	0.7	0.5	0.5	0.3	0.7	0.7	0.5	0.5	0.3
CEILING	0.7	0.7	0.5	0.5	0.3	0.7	0.7	0.5	0.5	0.3
WALLS	0.5	0.3	0.5	0.3	0.3	0.5	0.3	0.5	0.3	0.3
FLOOR CAVITY	0.2	0.2	0.2	0.2	0.2	0.2	0.2	0.2	0.2	0.2

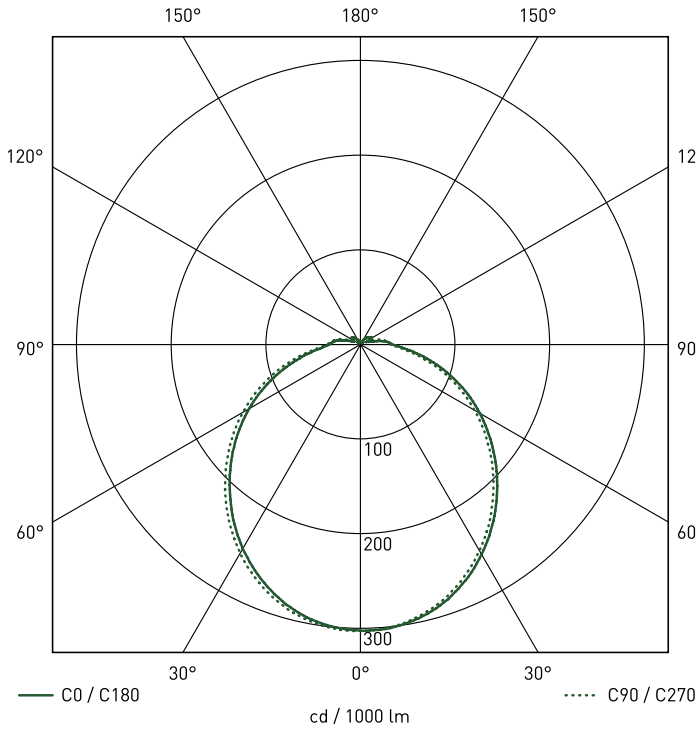
ROOM DIMENSION		VIEWED CROSSWISE					VIEWED ENDWISE				
x	y										
2H	2H	<10.0	10.1	<10.0	10.6	11.1	<10.0	<10.0	<10.0	10.2	10.7
	3H	10.4	11.8	10.9	12.3	12.8	<10.0	11.3	10.4	11.8	12.3
	4H	11.2	12.5	11.7	13.0	13.6	10.7	12.0	11.2	12.5	13.0
	6H	12.0	13.2	12.5	13.7	14.2	11.3	12.6	11.9	13.1	13.6
	8H	12.3	13.4	12.8	13.9	14.5	11.6	12.7	12.1	13.3	13.8
	12H	12.5	13.6	13.0	14.2	14.7	11.8	12.9	12.3	13.4	14.0
4H	2H	<10.0	10.7	<10.0	11.1	11.7	<10.0	10.3	<10.0	10.8	11.3
	3H	11.3	12.5	11.9	13.0	13.6	10.9	12.0	11.4	12.5	13.1
	4H	12.4	13.4	12.9	13.9	14.5	11.8	12.8	12.3	13.4	13.9
	6H	13.2	14.1	13.8	14.7	15.3	12.6	13.5	13.1	14.0	14.6
	8H	13.6	14.4	14.2	15.0	15.6	12.9	13.7	13.4	14.3	14.9
	12H	14.0	14.7	14.5	15.3	15.9	13.2	14.0	13.8	14.5	15.2
8H	4H	12.7	13.6	13.3	14.1	14.7	12.2	13.0	12.7	13.6	14.2
	6H	13.7	14.5	14.3	15.0	15.7	13.1	13.8	13.7	14.4	15.0
	8H	14.3	14.9	14.9	15.5	16.2	13.6	14.2	14.2	14.8	15.4
	12H	14.8	15.3	15.4	15.9	16.6	14.0	14.5	14.6	15.1	15.8
12H	4H	12.8	13.6	13.4	14.1	14.8	12.2	13.0	12.8	13.6	14.2
	6H	13.9	14.5	14.5	15.1	15.8	13.2	13.9	13.8	14.5	15.1
	8H	14.5	15.0	15.1	15.6	16.3	13.7	14.3	14.3	14.9	15.5

# LUCECO PHOTOMETRIC DATA

## LBM200W6S40 LUMINAIRE PERFORMANCE

Light Output Ratio:	100%	Quantity:	1
Luminaire Efficacy:	84.22 lm/W	Designation:	LED
Light Distribution:	A31 ↓93.1% ↑6.9%	Colour Temperature:	4000K
CIE Flux Codes:	43 73 91 93 100	Luminous flux:	758 lm
UGR 4H 8H (20%, 50%, 70%) C0 / C90:	61.3 / 61.1	CRI:	80

## LUMINOUS INTENSITY



	C0	C90	C180
0°	302	302	302
10°	298	296	295
20°	282	279	276
30°	256	251	249
40°	223	217	214
50°	185	179	176
60°	146	139	136
70°	104	98	94
80°	64	58	56
90°	34	32	33
100°	21	25	25
110°	8	13	10
120°	14	2	9
130°	12	4	11
140°	9	4	9
150°	5	3	5
160°	3	3	3
170°	3	3	3
180°	3	3	3
	cd / 1000 lm		

## UNIFIED GLARE RATING (UGR) TABLE

REFLECTANCE OF	0.7	0.7	0.5	0.5	0.3	0.7	0.7	0.5	0.5	0.3
CEILING	0.7	0.7	0.5	0.5	0.3	0.7	0.7	0.5	0.5	0.3
WALLS	0.5	0.3	0.5	0.3	0.3	0.5	0.3	0.5	0.3	0.3
FLOOR CAVITY	0.2	0.2	0.2	0.2	0.2	0.2	0.2	0.2	0.2	0.2

ROOM DIMENSION		VIEWED CROSSWISE					VIEWED ENDWISE				
x	y										
2H	2H	18.1	19.6	18.5	20.0	20.5	18.0	19.5	18.4	20.0	20.4
	3H	19.9	21.3	20.4	21.8	22.3	19.8	21.2	20.3	21.7	22.2
	4H	20.7	22.1	21.2	22.6	23.1	20.6	21.9	21.1	22.4	22.9
	6H	21.5	22.7	22.0	23.2	23.8	21.4	22.6	21.9	23.1	23.6
	8H	21.8	23.0	22.3	23.5	24.1	21.7	22.9	22.2	23.4	23.9
	12H	22.1	23.3	22.6	23.8	24.3	21.9	23.1	22.4	23.6	24.2
4H	2H	18.8	20.2	19.3	20.6	21.2	18.7	20.1	19.2	20.6	21.1
	3H	20.8	22.0	21.4	22.5	23.1	20.7	21.9	21.2	22.4	23.0
	4H	21.9	22.9	22.4	23.4	24.0	21.7	22.8	22.3	23.3	23.9
	6H	22.8	23.7	23.3	24.3	24.8	22.6	23.5	23.2	24.1	24.7
	8H	23.2	24.0	23.7	24.6	25.2	23.0	23.9	23.6	24.4	25.0
	12H	23.6	24.4	24.1	24.9	25.6	23.4	24.2	24.0	24.8	25.4
8H	4H	22.3	23.1	22.8	23.7	24.3	22.1	23.0	22.7	23.6	24.2
	6H	23.3	24.1	23.9	24.7	25.3	23.2	23.9	23.8	24.5	25.1
	8H	23.9	24.6	24.5	25.2	25.8	23.8	24.4	24.4	25.0	25.7
	12H	24.4	25.0	25.1	25.6	26.3	24.3	24.8	24.9	25.4	26.1
12H	4H	22.3	23.1	22.9	23.7	24.3	22.2	23.0	22.8	23.6	24.2
	6H	23.5	24.2	24.1	24.8	25.4	23.4	24.0	24.0	24.6	25.3
	8H	24.1	24.7	24.7	25.3	25.9	23.9	24.5	24.6	25.1	25.8