

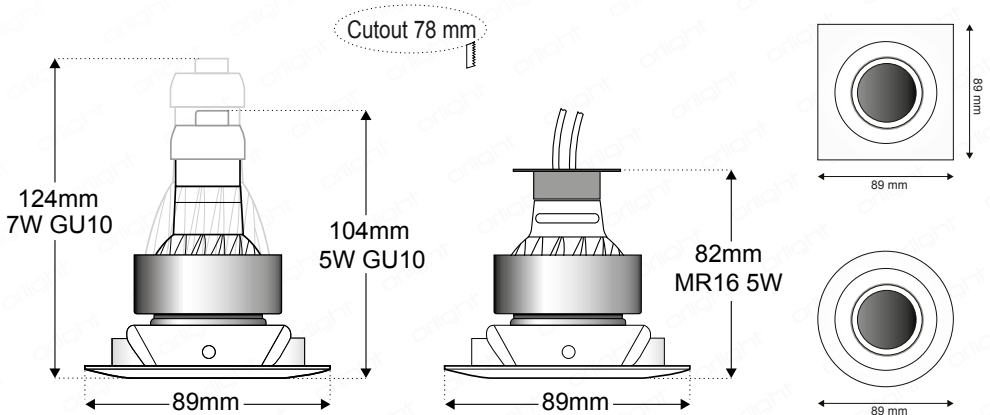
orlight



Installation instructions

MAGNETIC DOWNLIGHT RANGE

ORL1009WH / ORL1009BL / ORL1009AW / ORL1009HS / ORLIP441009WH / ORLIP441009BL / ORLIP441009AW / ORLIP441009HS
ORL1019WH / ORL1019BL / ORL1019AW / ORL1019HS / ORLIP441019WH / ORLIP441019BL / ORLIP441019AW / ORLIP441019HS
ORL1009SQWH / ORL1009SQBL / ORL1009SQAW / ORLIP441009SQWH / ORLIP441009SQBL / ORLIP441009SQAW
ORL1019SQWH / ORL1019SQBL / ORL1019SQAW / ORLIP441019SQWH / ORLIP441019SQBL / ORLIP441019SQAW /
ORLIP541019WH / ORLIP541019BL / ORLIP541019AW / ORLIP541019HS / ORLIP541019WH / ORLIP541019SQBL / ORLIP541019SQAW



INSTALLATION - Orlight does not recommend cutting of holes prior to receipt of product in hand. Please see reverse for full instructions.



Please note: The above standards are dependent on the fixture option selected from the range.
PLEASE OBSERVE MAXIMUM WATTAGES AS STATED ON FIXTURES.

Compatible Orlight dimmable lamps (may require mains converter) :

7W MTG MR16/GU10

7W XTE MR16/GU10

5W XTE MR16/GU10

3W GU10



www.orlight.com | 01707 663 883

orlight

We recommend that this product is installed by a competent person in accordance with the latest edition of the IET Wiring Regulations BS 7671 "Requirements for Electrical Installations" and the Buildings Regulations, as may be applicable subject to the location and country of the job or installation.

For more information and installation guide lines please refer to "Guide on Lighting Risks and Regulations" which can be downloaded from the website:

http://media.orlight.com/media/downloads/Orlight_guide_on_lighting_risks.pdf

Hole cut out:

Orlight does not recommend cutting of holes prior to receipt of product in hand. Please refer to reverse or Orlight's technical support/website for recommended hole cut out.

Wiring:

Disconnect the mains supply before installation. Ensure that the unit is installed and maintained by a certified professional and that installation conforms to any local building control standard applicable.

For low voltage installation:

Connect the mains supply to the Orlight transformer and 12v Supply from the Orlight transformer to the terminal block provided. Insert the lamp within the inner ring and connect to lamp holder. Attach the springs to the lamp holder thereby holding the lamp securely. Insert inner ring into its outer ring counterpart, which will consequently be held in place magnetically. The fixture may be rotated and tilted to direct light as required, depending on fixture type chosen.

Mains installation:

Connect the mains to the terminal block provided. Insert the lamp within the inner ring and connect to lamp holder. Attach the springs to the lamp holder thereby holding the lamp securely. Insert inner ring into its outer ring counterpart, which will consequently be held in place magnetically. The fixture may be rotated and tilted to direct light as required, depending on fixture type chosen.

Lamp replacement:

Please ensure to disconnect the mains supply prior to re-lamping. Release lamp holding mechanism from the main body of the fixture. Gently lower the inner ring of the fixture, proceed to remove the existing lamp from its lampholder and dispose of appropriately. Insert the replacement lamp into the lampholder and gently place the lamp mechanism into the main frame of the fixture.

Accessories:

Please ensure that any accessory such as firehoods used in conjunction with these products is approved by Orlight. Failure to do so will void any product guarantee. Orlight will not be held responsible for any loss incurred be it direct or consequential.

Insulation:

Fitting requires a minimum recess depth and surrounding materials must be removed by 100mm from the outside edge of the fitting. Insulation must not be laid over the top of the fitting or fire hood.

NOTE – Light fittings in general can become hot whilst in operation. It is advisable that they do not come into contact with any flammable materials such as fabrics, furniture, soft furnishings or touched during/after operation.

*** Please note, all information contained within this instruction manual is provided in good faith. We will not be held responsible for any losses incurred as a result of any inaccuracies contained within this document.**