



## Invisible 600mm

Francesc Vilaró

Bollard IP54 Invisible 600mm LED 10.7 LED warm-white 3000K ON-OFF Black 469lm

### Technical features

Luminaire total power: 10.7W

Real lumens: 469

Real lm/W: 44

Correlated Colour Temperature (CCT): LED warm-white 3000K

Lens / reflector angle: HORIZONTAL 111°

Structure material: Aluminium, Fibreglass

Structure finish: Black

Diffuser material: Polycarbonate

Diffuser finish: Opal

Voltage / frequency: 100-240V/50-60Hz

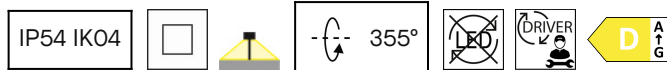
Dimming protocol: ON-OFF

Power Factor: 0.50

Useful life: 50,000h L80B20

Warranty: 5 años

Resistant to marine environments: Yes



### Luminotechnic features

CRI: 80

MacAdam steps: 3

Photobiological risk: RGO

Lampholder	Quantity	Light source power (W)
LED	1	9W

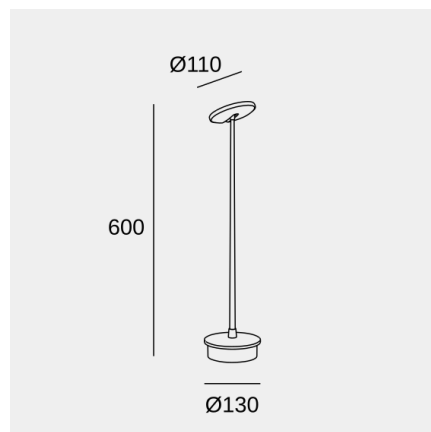
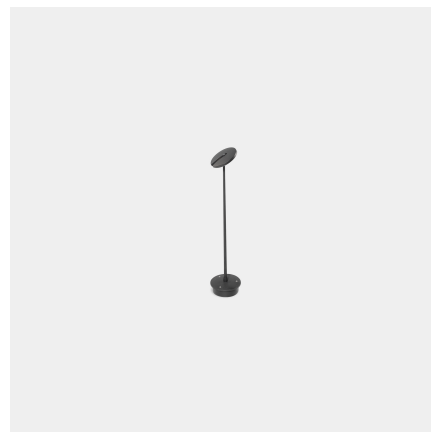


Image may not match reference. LedsC4 reserves the right to amend any of the product's components. The data related to flux, power and colour temperature may be subject to changes made by the manufacturer.



## Invisible 600mm

Francesc Vilaró

Bollard IP54 Invisible 600mm LED 10.7 LED warm-white 3000K ON-OFF Black 469lm

### Logistics



Net weight (kg): 0.44

Packaged weight (kg): 0.84

Packaging: 135mm x 135mm x 610mm

### Light application



Image may not match reference. LedsC4 reserves the right to amend any of the product's components. The data related to flux, power and colour temperature may be subject to changes made by the manufacturer.