



Queen

Carlos Santolaria & Manel Llusçà

Table lamp Queen LED 8.3 LED warm-white 3000K ON-OFF Chrome 284lm

Technical features

Luminaire total power: 8.3W

Real lumens: 284

Real lm/W: 34

Correlated Colour Temperature (CCT): LED warm-white 3000K

Lens / reflector angle: FLOOD 98°

Structure material: Aluminium, Aluminium

Structure finish: Chrome

Voltage / frequency: 100-240V/50-60Hz

Dimming protocol: ON-OFF

Power Factor: 0.40

Useful life: 50,000h L80B20

Warranty: 5 años

Easily recyclable luminaire



Luminotechnic features

CRI: 80

MacAdam steps: 2

Photobiological risk: RG1

Lampholder	Quantity	Light source power (W)
LED	1	6.9W

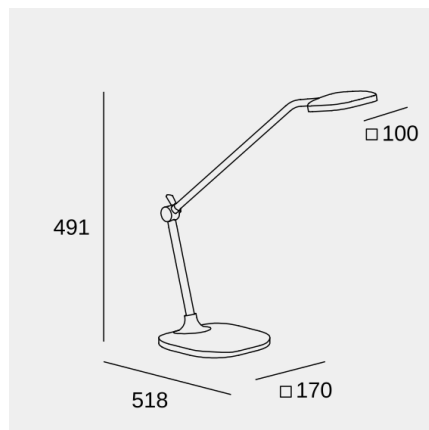


Image may not match reference. LedsC4 reserves the right to amend any of the product's components. The data related to flux, power and colour temperature may be subject to changes made by the manufacturer.



Queen

Carlos Santolaria & Manel Llusçà

Table lamp Queen LED 8.3 LED warm-white 3000K ON-OFF Chrome 284lm

Logistics



x 2

Net weight (kg): 2.62

Packaged weight (kg): 3.2

Packaging: 285mm x 225mm x
610mm

Light application



Image may not match reference. LedsC4 reserves the right to amend any of the product's components. The data related to flux, power and colour temperature may be subject to changes made by the manufacturer.