

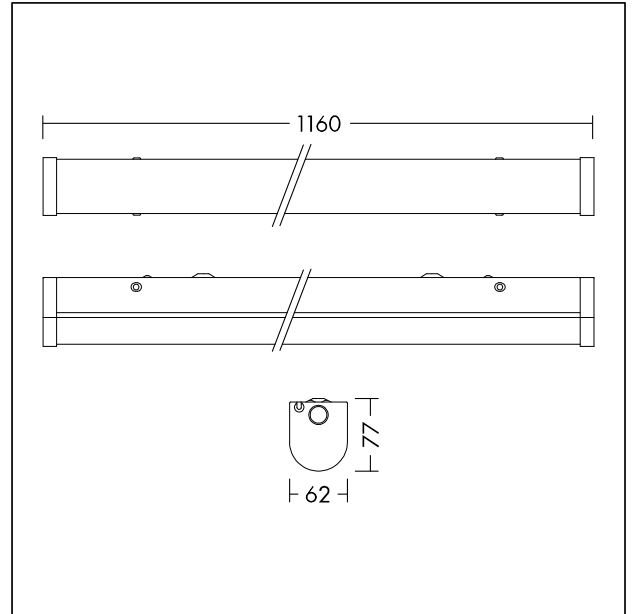
LED batten

A fast install and versatile IP20 batten with press release buttons for quick opening and installation. Reliable integrated LED technology, ensuring maintenance-free installation and a long lifetime. Homogeneous illumination. Direct replacement for conventional battens in terms of light performance and length. Piano-key terminals, enabling loop-in loop-out. ENEC certified driver. 3 hour emergency lighting.

Body: sheet metal, white finish (RAL 9002).  
 Diffuser: polycarbonate, opal.  
 End caps: polycarbonate, white (RAL 9002).  
 Weight: 2,5 kg



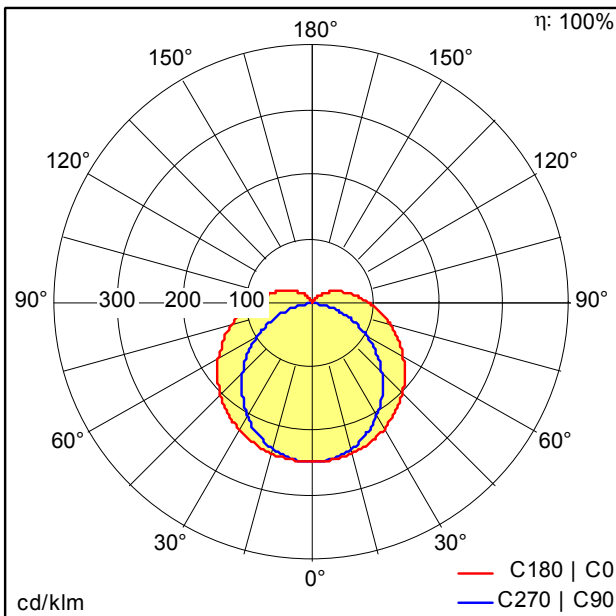
TE\_POPPY\_F\_persp.jpg



TE\_POPPY\_M\_1200.wmf

Light Distribution

Emergency



TE\_POPPY\_LED\_1200\_5000\_840\_E3e.idt

- Light Source: LED
- Luminaire luminous flux\*: 759 lm
- Colour Rendering Index min.: 80
- Chromaticity tolerance (initial MacAdam): 5
- Rated median useful life\*: L70 50000h at 25°C
- Ballast: 1x LED\_Con
- Luminaire input power\*: 3 W Power factor = 0.9
- Dimming: Fixed output
- Total harmonic distortion (THD): 15.00 %

All values marked with an \* are rated values. Luminous flux and connected electrical load are subject to an initial tolerance of +/- 10%. Unless stated otherwise, the values apply to an ambient temperature of 25°C.