



Coco Double

Nahtrang Design

Pendant Coco Double E14 18 Black 1183lm

Technical features

Luminaire total power: 18W

Structure material: Steel, Aluminium

Structure finish: Black

Diffuser material: Polycarbonate

Diffuser finish: White

Recommended light bulb: E14

Voltage / frequency: 100-240V/50-60Hz

Warranty: 5 años



Luminotechnic features

Luminance C0°G65°: 1523

Luminance C90°G65°: 1334

Lampholder	Quantity	Light source power (W)	Correlated Colour Temperature (CCT)
E14	2	Max. power 9W	-

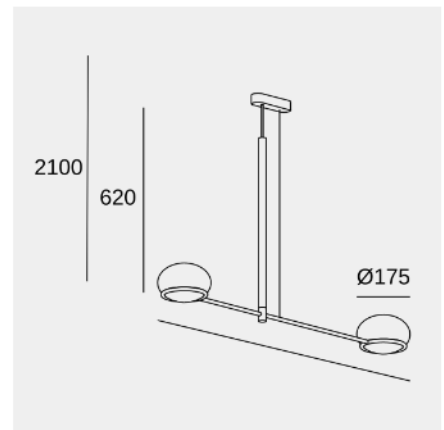


Image may not match reference. LedsC4 reserves the right to amend any of the product's components. The data related to flux, power and colour temperature may be subject to changes made by the manufacturer.



Coco Double

Nahtrang Design

Pendant Coco Double E14 18 Black 1183lm

Logistics



x 4

Net weight (kg): 1.49

Packaged weight (kg): 3.25

Packaging: 1160mm x 225mm x
230mm

Image may not match reference. LedsC4 reserves the right to amend any of the product's components. The data related to flux, power and colour temperature may be subject to changes made by the manufacturer.