

Supplied By:
 (UK) Manufacturer: ML Accessories Ltd, Unit E
 Chiltern Park,
 Boscombe Road, Dunstable, LUS 4LT,
 www.mlaccessories.co.uk
 (EU) SEU Lighting Group, Daimlerstraße 21-23,
 52539 Ulsach-Pörsberg, Germany
 Email: eord@mlaccessories.com
 Made in China

DC4UG22_V3

Knightsbridge

These instructions should be read carefully and retained after installation by the end user for future reference and maintenance.

SAFETY

- This product must be installed in accordance with the latest edition of the IEE Wiring Regulations (BS7671) and current Building Regulations. If in any doubt, consult a qualified electrician.
- Please ensure mains prior to installation or maintenance.
- Check the total load on the circuit (including when the product is fitted) does not exceed the rating of the circuit cable, fuse or circuit breaker.
- Do not overheat this accessory or subject it to conditions outside its rating.
- Please note the IP (Ingress Protection) rating of this product when deciding the location for installation.
- This product is for indoor use only.

WARRANTY Knightsbridge Wiring Accessories have a warranty of 25 years for mechanical operation from date of purchase with the exception of products containing electronic components such as dimmers and USB chargers, which have a 2 year warranty. Failure to install this product in accordance with the current edition of the IEE Wiring Regulations (BS7671), improper use, or removal of the back cover will invalidate the warranty. If this product should fail within its warranty period, it should be returned to the place of purchase for a free of charge replacement. ML Accessories does not accept responsibility for any installation costs associated with the replacement product. Your statutory rights are not affected. ML Accessories reserve the right to alter product specification without prior notice.

INSTALLATION

- Connect the accessory as per the diagram in this manual, ensuring the correct polarity is observed (terminal positions may vary).
- L - LIVE - Brown
- N - NEUTRAL - Blue
- EARTH - Green and yellow
- All earth connections must be made and maintained. Use green/yellow sleeving on earth conductors that are not insulated.
- Check all electrical connections are secure with all exposed copper within the terminal and no loose strands of cable. If using the flex outlet, secure the flex with the cord grip provided.
- Fit the unit into a suitable wall box taking care not to compress, damage or trap any cables, and secure with the screws provided. If using metal mounting boxes with four lugs, remove the top and bottom lugs or bend fully back.
- FLAT PLATE, SCREWLESS AND RAISED EDGE FIXING
 - Always ensure the wall surface is flat and smooth.
 - This unit is fitted with a gasket - this MUST NOT be removed.

be removed, this gasket is to stop discoloration of the plate due to natural moisture in some wall finishes.

This product must be fitted only after painting and decorating is complete.

Somebody products only - remove the front plate by placing a medium size flat-head screwdriver in the notch at the side and lever off gently. After wiring and fitting to the wall box as per the instructions in this document, slip the front plate onto the main assembly ensuring the screwdriver notch is at the side.

METAL CLAD FIXING

- Remove front faceplate and mount rear box in a suitable location. The back box has multiple 20mm cable entry points to aid installation.
- Wire as per the instructions in this document, and fix plate to back box using the screws provided.

OUTLETS WITH USB CHARGING FUNCTION

These products are designed for charging portable USB devices only, and contain a short circuit and overheat protection feature. If there is no power from the USB socket supplying the connected device, check to ensure the USB socket and USB device have not come into contact

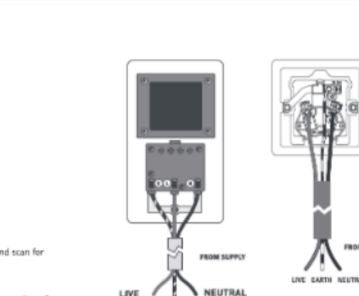
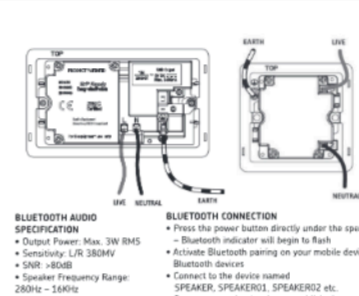
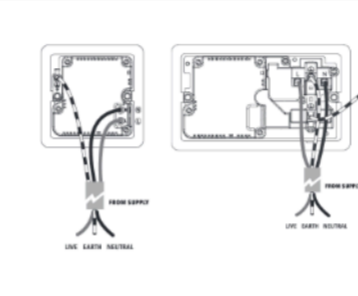
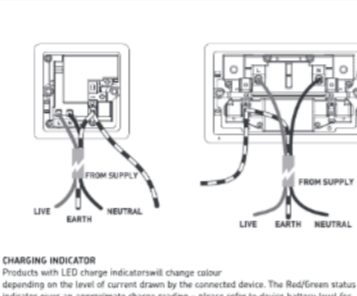
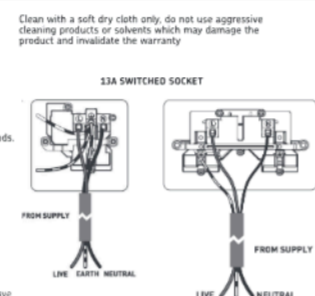
with water, liquid or debris and the cable to the device is not damaged. With no device connected to the USB socket it will automatically reset and be ready for use.

WARNING !

This unit should NOT be subject to any moisture resistance testing, failure to follow this instruction could cause damage to the USB circuit and void the warranty.

GENERAL

This product should be recycled in the correct manner when it reaches the end of its life. Check local authorities for where facilities exist.



Clean with a soft dry cloth only, do not use aggressive cleaning products or solvents which may damage the product and invalidate the warranty.

CHARGING INDICATOR

Products with LED charge indicator will change colour depending on the level of current drawn by the connected device. The Red/Green status indicator gives an approximate charge reading - please refer to device battery level for true reading.

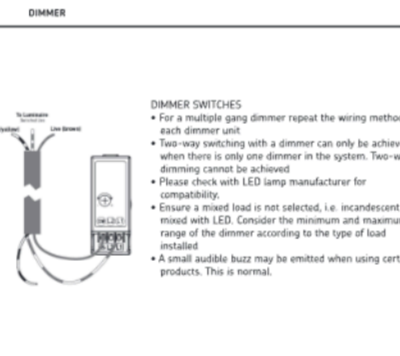
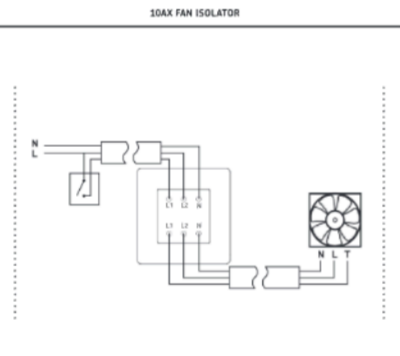
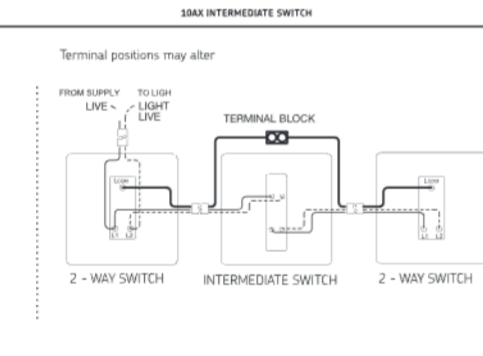
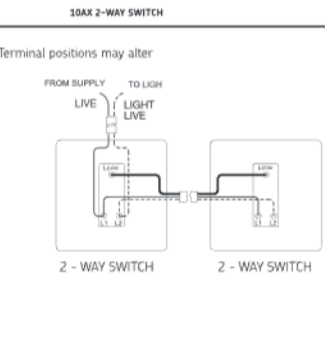
BLUETOOTH AUDIO SPECIFICATION

- Output Power: Max. 3W RMS
- Sensitivity: LR 38dBV
- SNR: 80dB
- Spoken Frequency Range: 20Hz - 16kHz

BLUETOOTH CONNECTION

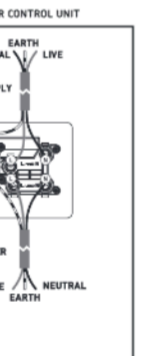
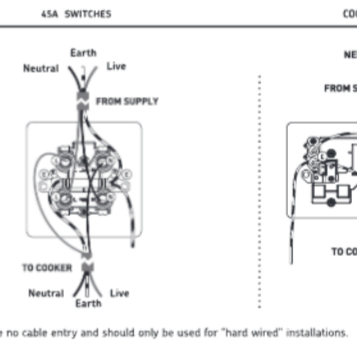
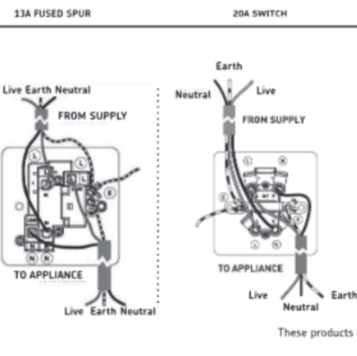
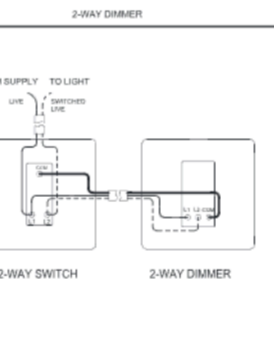
- Press the power button directly under the speaker.
- Bluetooth indicator will begin to flash.
- Activate Bluetooth pairing on your mobile device and scan for Bluetooth devices.
- Connect to the device named **SPEAKER_SPEAKER1_SPEAKER2** etc.
- Once a connection has been established you will hear a "beep" sound and the Bluetooth indicator will flash at a set event frequency to confirm.

ML Accessories Limited Unit E, Chiltern Park, Boscombe Road, Dunstable, LUS 4LT www.mlaccessories.co.uk



DIMMER SWITCHES

- For a multiple gang dimmer repeat the wiring method for each dimmer unit.
- Two-way switching with a dimmer can only be achieved when there is only one dimmer in the system. Two-way dimming cannot be achieved.
- Please check with LED lamp manufacturer for compatibility.
- Ensure a mixed load is not selected, i.e. incandescent mixed with LED. Consider the minimum and maximum range of the dimmer according to the type of load installed.
- A small audible buzz may be emitted when using certain products. This is normal.



These products have no cable entry and should only be used for "hard wired" installations.