

Thank you for purchasing a BN Thermic product. Manufactured to a high standard this product will, if used according to these instructions and properly maintained, give you years of trouble free performance.



**REGISTER:** PLEASE REGISTER THIS PRODUCT ONLINE TO ACTIVATE YOUR GUARANTEE AT  
[www.bnthermic.co.uk](http://www.bnthermic.co.uk)



**IMPORTANT:** PLEASE READ THESE INSTRUCTIONS, NOTE THE SAFE OPERATIONAL REQUIREMENTS, WARNINGS, AND CAUTIONS. USE THIS PRODUCT CORRECTLY, AND WITH CARE FOR THE PURPOSE FOR WHICH IT IS INTENDED. FAILURE TO DO SO MAY CAUSE DAMAGE AND/OR PERSONAL INJURY AND WILL INVALIDATE THE WARRANTY.

## 1. SAFETY INSTRUCTIONS

### 1.1 ELECTRICAL SAFETY

- WARNING!** It is the responsibility of the owner and the operator to read, understand and comply with the following:
  - You must check all electrical products, before use, to ensure that they are safe. You must inspect power cables, plugs, sockets and any other connectors for wear or damage. You must ensure that the risk of electric shock is minimised by the installation of appropriate safety devices. A Residual Current Circuit Breaker (RCCB) should be incorporated in the main distribution board. If in any doubt consult a qualified electrician. You must also read and understand the following instructions concerning electrical safety.
- 1.1.1 The Health & Safety at Work Act 1974 makes owners of electrical appliances responsible for the safe condition of those appliances and the safety of the appliance operators. If in any doubt about electrical safety, contact a qualified electrician.
- 1.1.2 Ensure that the insulation of all the cables on the appliance is safe before connecting it to the power supply.
- 1.1.3 Ensure that the cables are always protected against short circuit and overload.
- 1.1.4 Regularly inspect the power supply cables and plugs etc. for wear or damage and check all connections to ensure that none are loose.
- 1.1.5 Important: Ensure that the voltage marked on the appliance matches the power supply to be used and that a correctly rated fuse is fitted.
- 1.1.6 Installation should always be carried out by a qualified electrician in accordance with current electrical regulation, protected by a suitably rated isolator and fuse or mcb.
- 1.1.7 DO NOT use worn or damaged cables or connectors. Immediately have any faulty item repaired or replaced by a qualified electrician.
- 1.1.8 If the supply cord is damaged, it must be replaced by the manufacturer or it's service agent.
- 1.1.9 Do not use in hazardous areas.

### 1.2 GENERAL SAFETY INSTRUCTIONS

- ✓ Remove all packaging and store it away from children, check the package and heater for visible damage or tampering.
- ✓ Familiarise yourself with the applications and limitations of the heater.
- ✓ Ensure the heater is in good order and condition both physically and electrically before use. If in any doubt do not use the unit and contact your supplier.
- ✓ Disconnect from mains and allow to cool before attempting any cleaning.
- X **DO NOT** use in hazardous areas.
- X **DO NOT** use if ambient temperatures exceed 30°C.
- X **DO NOT** cover the heater or restrict free circulation of air around it.
- X **DO NOT** locate the heater below the power outlet.
- X **DO NOT** install this heater against combustible low-density fibre board surfaces.
- X **DO NOT** disassemble the heater for any reason. This heater must be checked by qualified personnel only.
- X **DO NOT** use this heater to perform a task for which it has not been designed.
- WARNING!** This heater is not equipped with a device to control the room temperature. Do not use this heater in a small room if it is occupied by people not capable of leaving the room on their own, unless constant supervision is provided.
- WARNING!** Ensure there is no possibility of inflammable materials coming into contact with the heater.

## 2. INTRODUCTION & SPECIFICATION

RP3 Ceiling Panels are designed to provide primary, localised or perimeter heating. The heaters should be ceiling mounted ideally between 2.4m and 3.5m from floor level. RP3 Ceiling Panels are a more economic means of heating commercial premises than conventional heating systems because the gentle radiant effect felt from them means that the 'experienced temperature' can be up to 4°C warmer than the actual air temperature. This means that the thermostat can be set up to 4°C lower saving power and electricity costs. A suitable air sensing thermostat and timer should be used.

Model	RP3-03	RP3-06
Power	300W	600W
Input supply	230V 50Hz 1.3A	230V 50Hz 2.6A
Dimensions (W x H x D)	592 x 592 x 30mm	1192 x 592 x 30mm
Weight	5.9Kg	11.3Kg
Minimum Mounting Height	1.8M	1.8M
Recommended Mounting Height	2.4 – 3.5M	2.4 – 3.5M
IP rating	IP44	IP44



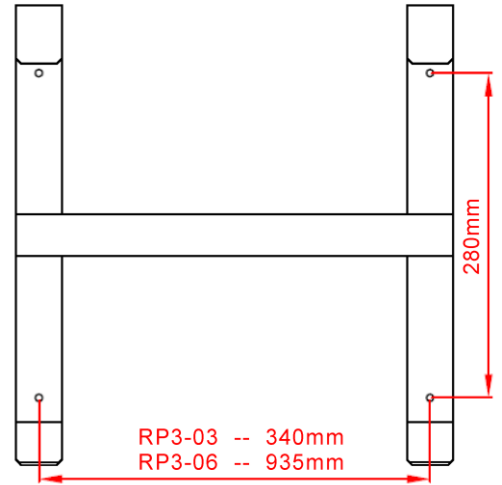
### 3. MOUNTING / INSTALLATION

- ❑ **IMPORTANT!** Ensure that the mounting surface is capable of supporting the weight of the heater.
- X **DO NOT** place heater directly below any electrical socket / connection.
- X **DO NOT** allow any flammable objects to come within 50cm of the radiant surface.
- X **DO NOT** allow other services' / equipment to be positioned above the panel heaters.
- X **IMPORTANT!** Observe minimum mounting height of 1.8metres and do not mount closer than 50cm from any wall.

#### 3.1 SUSPENDED CEILING MOUNTING

RP3 panel heaters can be laid in a standard 24mm 'T' bar suspended ceiling grid. When mounting in a suspended ceiling consideration should be given to the weight across the ceiling frame. If necessary additional support should be provided using the rear mounted brackets.

Note:- If mounting in the very rarely used micro T bar ceiling grid 4 x 3mm thick spacers may be required between the T bar and the edges of the panel heater to stop the heater moving around.



#### 3.2 CEILING MOUNTING (bracket supplied)

Panels can be hung mounted directly on to a suitable ceiling using the supplied bracket.

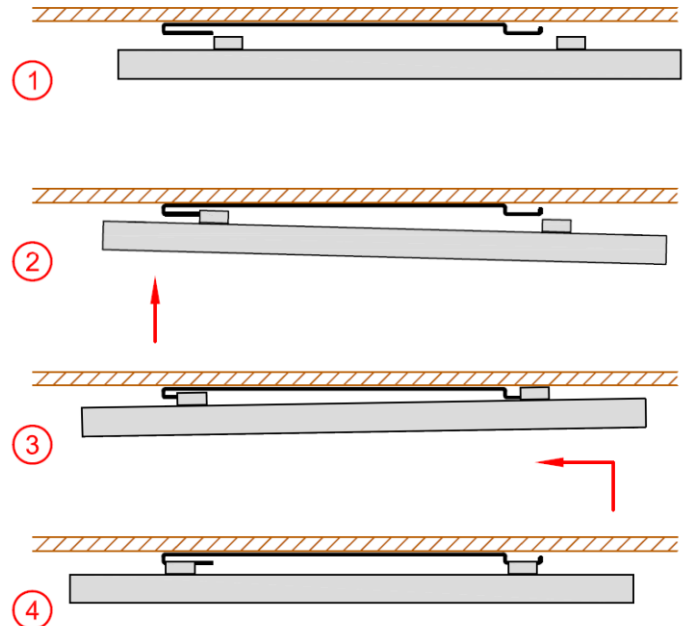
Either use the bracket as a template or the above drawing and mark the 4 fixing holes using a pencil.

Attach the bracket to the ceiling using 4 suitable screws / fixings (not supplied).

Follow steps 1 - 4 to slide the heater onto the bracket.

Once the heater is correctly on the bracket it will hang like drawing 4. Please check that the heater is correctly supported by the bracket.

If ceiling mounting, under no circumstances must the heater be left or turned on without securing in position as per instructions above.



#### 3.3 HUNG MOUNTING

Dispose of the ceiling bracket. M8 or M10 hanging hooks (not supplied) must be mounted directly to the heater using the 4 corner brackets. Panels can then be hung from a suitable ceiling or beam using chains or cords.

#### 3.4 ELECTRICAL CONNECTION

- ❑ **IMPORTANT!** Ensure you have read the Safety instructions and you are a suitably qualified electrician before continuing.
- ❑ **IMPORTANT!** The voltage marked on the heater must correspond to the supply voltage.
- ❑ **IMPORTANT!** To comply with the I.E.E. Wiring Regulations, the appliance must be earthed; the supply circuit must be adequate for the input of the appliance, and the circuit protected by a suitable fuse. If the heater is to be connected to a fixed electricity supply, a suitable termination must be provided adjacent to the final position of the appliance. In this instance, such a termination must be a double pole switch with a contact separation of at least 3mm in all poles.

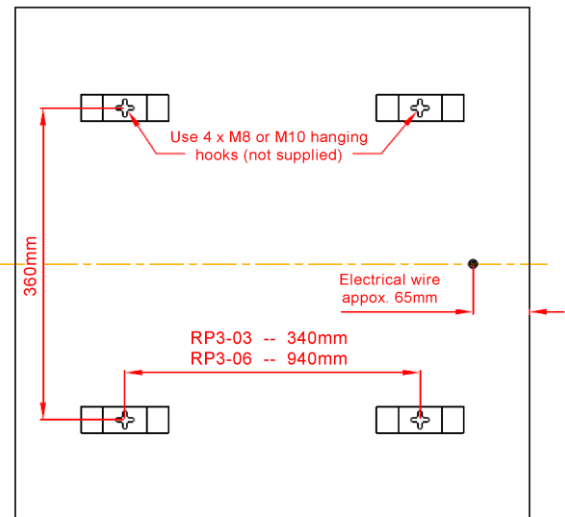
- 3.4.1 Connect the Earth wire GREEN / YELLOW to earth terminal 'E'.
- Connect the Live wire BROWN to the live terminal 'L'.
- Connect the Neutral wire BLUE to the neutral terminal 'N'.

### 4. OPERATION

When energised the heater panel will provide its maximum output in around 5 Minutes.

### 5. MAINTENANCE

BN Thermic electric heaters are factory assembled, tested and are non-user serviceable. They are designed to operate for many years, problem free. Maintenance is limited to dusting and wiping with a damp cloth and mild aqueous detergent. Note:- Before carrying out any cleaning ensure the heater has cooled down and is disconnected from the mains supply.



#### WEEE REGULATIONS:

This appliance bears the symbol of the crossed waste bin. This indicates that, at the end of its useful life, it must not be disposed of as domestic waste, but must be taken to a collection centre for waste electrical and electronic equipment. It is the user's responsibility to dispose of this appliance through the appropriate channels. Failure to do so may incur penalties established by laws governing waste disposal.

**NOTE:** It is our policy to continually improve products and as such we reserve the right to alter data, specifications and component parts without prior notice.

**IMPORTANT:** No liability is accepted for incorrect use of this product.

**WARRANTY:** Your BN Thermic product is guaranteed for one year from date of purchase. We will repair or replace at our discretion any part found to be defective. We cannot assume any consequential liability. This guarantee in no way prejudices your rights under common law and is offered as an addition to consumer liability rights.

**REGISTER:** Activate your warranty by registering online at [www.bnthermic.co.uk](http://www.bnthermic.co.uk) and retain this installation data for future reference.

BN Thermic Ltd,  
34 Stephenson Way,  
Crawley, RH10 1TN  
Tel: +44 (0) 1293 547361  
[sales@bnthermic.co.uk](mailto:sales@bnthermic.co.uk)  
[www.bnthermic.co.uk](http://www.bnthermic.co.uk)