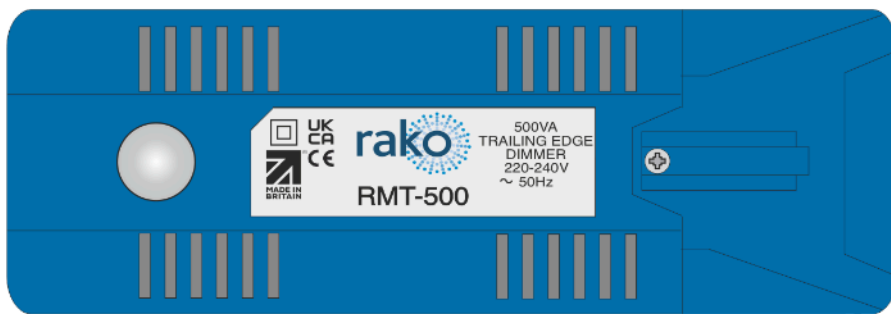




Instruction Manual

RMT-500

500W Trailing Edge Wireless Dimmer



2025

Version 2.0.2

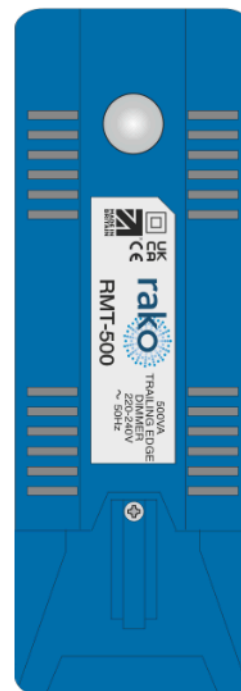


Contents

1.0 What is the RMT-500?.....	3
2.0 Loadings.....	3
3.0 Installation.....	3
4.0 Initial checks.....	4
5.0 Programming the RMT-500.....	5
6.0 Appendix 1: LED Diagnostics.....	6

1.0 What is the RMT-500?

- The RMT-500 is a wireless trailing edge dimming module designed for mains dimmable LEDs, tungsten and incandescent lamps.
- The RMT-500 dimmer modules are **not** suitable for inductive loads such as wire-wound transformers or electric motors. Connecting these loads will cause damage to the unit.
- The RMT-500 can be controlled by any Rako device that transmits wireless messages.



2.0 Loadings

Minimum	1W
Maximum	500W
Low-voltage transformer loads	450W (de-rate by 10%)
Mains voltage LEDs	250W (de-rate by 50%)

NB

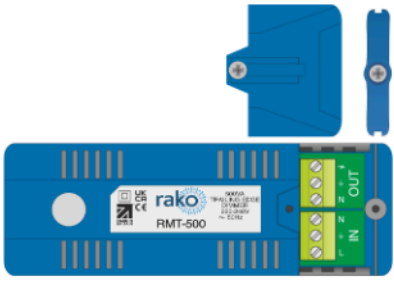
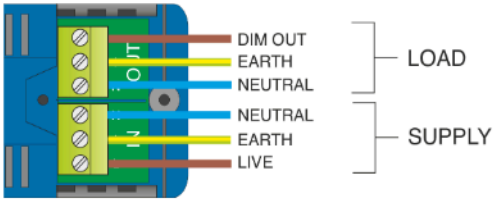
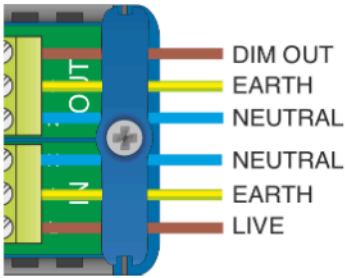

Derating is a precaution to account for varying characteristics in the lighting loads; this can include inrush currents and higher ambient temperatures and recommendations from 3rd party lighting manufacturers.

3.0 Installation

⚠ WARNING

Installation should only be carried out by a competent electrician.

- RMT-500 modules should be mounted in adequately dry and ventilated areas outside of any enclosed metal casings that may interfere with the wireless signal.
- Modules should be mounted vertically, with the terminals at the bottom, or horizontally.
- While the modules are designed to be maintenance-free, they should be mounted in an accessible location should investigation or re-addressing of the units be necessary.
- Ensure that the cable clamp is fitted tightly to secure the cables.

1		Remove the cover and cable clamp
2		Insert the supply IN cables as well as the load OUT cables
3		Replace the cable clamp, ensuring the cables fit securely underneath
4		Replace the cover

4.0 Initial checks

- When power is initially connected to the module, the load should power up to full brightness.
- The clear button can be used as a manual on/off switch to test the circuit.
- The internal LED behind the clear button will flicker when the module receives any Rako Wireless message and is a useful diagnostic indicator. The LED feedback becomes inactive after 20 minutes to avoid a nuisance light spill but can be reactivated by pressing the clear button. For more information on LED diagnostics, see [6.0 Appendix 1: LED Diagnostics](#).

5.0 Programming the RMT-500

Once the RMT-500 has powered up and has been tested with the setup button, the device is ready to be programmed.

Programming using a RAMPI or HUB
[Wireless System Setup Guide](#)



Programming using an RCM Keypad
[Programming With An RCM Guide.](#)

For further general information relating to the RMT-500, see the [Wireless Module Application Sheet](#).

Thank you for choosing Rako Controls; we hope that you are pleased with your system. Should you require further assistance, please contact us via our website, www.rakocontrols.com call our customer support helpline on 01634 226666. The office address is Rako Controls Ltd, Knight Road Rochester, ME2 2AH.



6.0 Appendix 1: LED Diagnostics

Wireless Range	LED Pulses	Description
Good wireless reception		<p>When the unit is receiving successfully, there will be four rapid pulses on the LED when any wireless message is sent.</p>
Bad wireless reception		<p>When the unit is out of range, there will be intermittent pulses on the LED when any wireless message is sent.</p> <p>NB It is recommended to install a wireless repeater (WRB-100) if you are experiencing intermittent wireless range.</p>

Should the module not respond to any of the above, check the supply voltage.

For additional diagnostic information, see the [Wireless Device LED Diagnostics](#)