

# Aura eco 150

Larger bathroom, utility room and kitchen ventilation (adjacent to hob)

## Key Features



- Axial fan
- Ventilation up to 235 m<sup>3</sup>/hr
- Slim compact styling
- Quick and easy to fit
- Quiet - 35 dB(A)
- Low watt motor - 20w
- Low SFP - 0.31 W/l/s
- Compatible with 150mm ducting
- IPX4 rating
- Complies with Building Regulations
- 3 year warranty



## Aura eco 150 range

Highly reliable, low energy fan in a modular design for ease of installation and maintenance. The Aura eco 150 is designed to provide quiet extraction in a suitable application.

The fan comes in various control options and is recessed into the wall or ceiling. The Aura range of fans are slim, compact, attractively styled, are easy to wipe clean and can be ducted over short lengths.



## Models

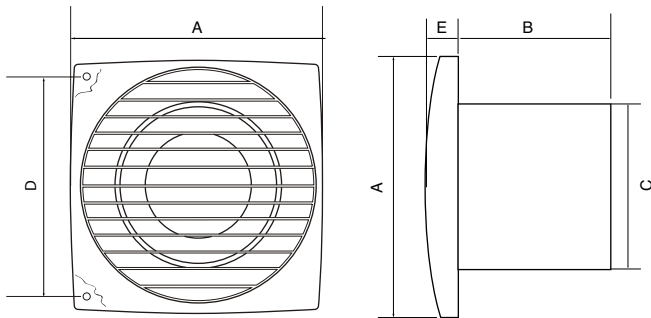
<b>Basic</b>	Control by Remote Switch
<b>Timer</b>	Timer can be set to run on between 2 and 30 minutes
<b>Humidity Timer</b>	Humidity sensor can be set between 60 - 90% RH
<b>Motion Sensor Timer</b>	PIR sensor activates the fan



## Technical Data

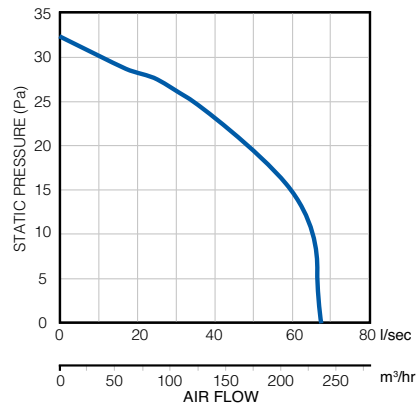
Specification	Aura eco 150B	Aura eco 150T	Aura eco 150HT	Aura eco 150MST
<b>Air flow m³/hr / l/sec</b>	235 / 65	235 / 65	235 / 65	235 / 65
<b>Fan type</b>	Axial	Axial	Axial	Axial
<b>Controls</b>	Basic	Timer	Humidity Timer	Motion Sensor Timer
<b>Mounting</b>	Wall / Ceiling	Wall / Ceiling	Wall / Ceiling	Wall / Ceiling
<b>Sound pressure dB(A)@3m</b>	35	35	35	35
<b>Power watts</b>	20	20	20	20
<b>Amps</b>	0.14	0.14	0.14	0.14
<b>Specific Fan Power (SFP)</b>	0.31	0.31	0.31	0.31
<b>Duct diameter (mm)</b>	150	150	150	150
<b>Voltage</b>	230v / 1ph / 50-60Hz	230v / 1ph / 50-60Hz	230v / 1ph / 50-60Hz	230v / 1ph / 50-60Hz
<b>Rating</b>	IPX4	IPX4	IPX4	IPX4
<b>Material finish</b>	Plastic	Plastic	Plastic	Plastic
<b>Weight (kg)</b>	0.9	0.9	0.9	0.9
<b>Dimensions (H x W x D) mm</b>	205 x 205 x 124	205 x 205 x 124	205 x 205 x 124	205 x 205 x 124
<b>Part No.</b>	<b>9041351</b>	<b>9041352</b>	<b>9041353</b>	<b>9041354</b>

## Dimensions (mm)



Model	A	B	C	D	E
Aura eco 150	205	124	150	174	19

## Performance



## Controls and Accessories

A range of accessories including flexible and rigid ducting kits, controls, switches and grilles are available.

Call: 01494 560800

Visit: [airflow.com](http://airflow.com)



**Airflow Developments Limited**  
Aidelle House, Lancaster Road,  
Cressex Business Park,  
High Wycombe, Buckinghamshire,  
United Kingdom, HP12 3QP

E-mail: [info@airflow.com](mailto:info@airflow.com)  
Telephone: +44 (0) 1494 525252

[airflow.com](http://airflow.com)

© Airflow Developments Limited. Airflow Developments Limited reserve the right, in the interests of continuous development, to alter specifications without prior notice. All orders are accepted subject to our conditions of sale which are available on request.

